



## Self-Propelled Telescopic Booms

S-80/S-85<sup>TM</sup>

The ultimate  
in reach, performance  
and range.



**Genie Industries**



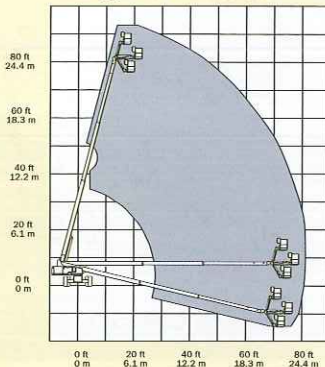
## Standard Features

- S-80 has 86 ft (26.4 m) working height
- S-85 has 91 ft (27.9 m) working height
- S-80 has 72 ft (21.9 m) horizontal reach
- S-85 has 77 ft (23.4 m) horizontal reach
- Up to 600 lb (272 kg) lift capacity on the S-80
- 500 lb (227 kg) lift capacity on the S-85
- Extendable axles operated from the platform
- Dual extended cylinders
- Meets current emissions requirements
- Dual fuel (Gas/LPG) or diesel engine options
- Fully proportional platform controls with ramp up/down feature
- Hydraulic platform rotation
- 360° continuous turntable rotation

- 12V DC auxiliary power
- Fuel select switch on platform and ground control panels (Gas/LPG models)

- Closed-loop two speed hydrostatic drive
- Positive traction drive
- Drive enable system
- Self-leveling platform
- Rough terrain air tires
- Locking turntable covers
- Anti-restart engine protection
- Auto engine fault shutdown
- AC wiring to platform
- Wire braided hose
- Tilt alarm
- Horn
- Hour meter

## Range of Motion



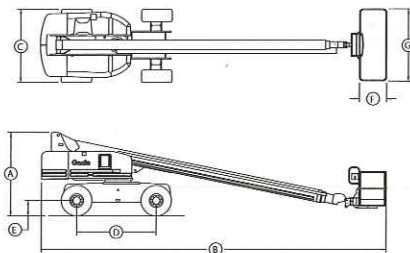
## Options and Accessories

- Heavy duty welder package
- Alarm package
- Cold start packages
- 3500 watt AC generator
- 8 ft (2.44 m) steel platform
- 750 lb (340 kg) lift capacity
- Platform swing gate
- Air line to platform
- Platform rail pinch guard
- Platform work lights
- Control box covers
- Tool tray
- Fluorescent tube caddy
- Hostile environment packages
- LPG tank
- GS/LPS rating for Ford engine powered machines
- Rough terrain foam-filled tires
- Driving lights
- Pipe cradle
- Hydraulic oil cooler

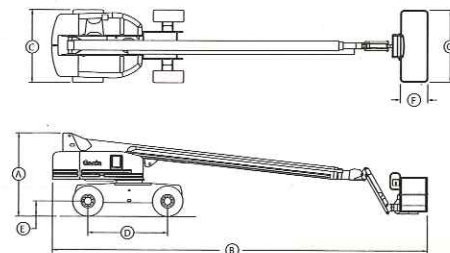
## Standards Compliance

- ANSI/SIA A92.5
- CAN3-B354.4
- CE compliance option
- AS 1418.10

S-80



S-85



## Specifications

Model	S-80		S-85	
	US	Metric	US	Metric
Working height max*	86 ft	26.4 m	91 ft	27.9 m
Platform height max	80 ft	24.4 m	85 ft	25.9 m
(A) Height - stowed	9 ft 2 in	2.8 m	9 ft 2 in	2.8 m
(B) Length - stowed	36 ft 8 in	11.2 m	40 ft 7 in	12.4 m
Length - transport				
Jib tucked under	—	—	35 ft	10.67 m
(C) Width axles retracted	8 ft	2.43 m	8 ft	2.43 m
Width axles extended	10 ft	3.04 m	10 ft	3.04 m
(D) Wheelbase	9 ft	2.74 m	9 ft	2.74 m
(E) Ground clearance	11 in	28 cm	11 in	28 cm
(F) Platform length: 6 ft	30 in	76 cm	30 in	76 cm
8 ft	36 in	91 cm	36 in	91 cm
(G) Platform width: 6 ft	72 in	1.83 m	72 in	1.83 m
8 ft	96 in	2.44 m	96 in	2.44 m
Horizontal reach max	72 ft	21.9 m	77 ft	23.4 m
Lift capacity	600 lb	272 kg	500 lb	227 kg
6 ft platform				
Lift capacity	500 lb	227 kg	500 lb	227 kg
8 ft platform				
Turning radius - outside	23 ft	7 m	23 ft	7 m
Turning radius - inside	10 ft 8 in	3.24 m	10 ft 8 in	3.24 m
Turntable rotation	360° continuous		360° continuous	
Turntable tailswing	3 ft 8 in	1.13 m	3 ft 8 in	1.13 m
Power source	Ford LRG 425 EFI Gas/LPG 82 hp (61 kw) Deutz Diesel F4L 913 78 hp (58 kw) Perkins Diesel 704-30 63 hp (47 kw)			
Controls	12V DC proportional		12V DC proportional	
Platform rotation	160 Degrees		160 Degrees	
Auxiliary power unit	12V DC		12V DC	
Tires	15-22.5 SAT		15-22.5 SAT	
Drive speed, stowed	3.3 mph	5.3 km/h	3.3 mph	5.3 km/h
4x4 models				
Drive speed, raised or extended	0.68 mph	1.1 km/h	0.68 mph	1.1 km/h
Gradeability, stowed	45%		45%	
4x4 models				
Hydraulic tank capacity	45 gal	170 litre	45 gal	170 litre
Fuel tank capacity	33 gal	125 litre	33 gal	125 litre
Weight**	33,380 lb	15,141 kg	35,860 lb	16,266 kg

\* The metric equivalent of working height adds 2 m to platform height. U.S. adds 6 ft to platform height.  
\*\* Weight will vary depending on options and/or country standards.

Distributed By:

## Genie Industries

### GENIE UNITED STATES

18340 NE 76th Street  
P.O. Box 97030  
Redmond, Washington 98073-9730  
Telephone (425) 881-1800  
Toll Free in USA/Canada 800-536-1800  
Fax (425) 883-3475  
<http://www.genieindustries.com>

### GENIE UNITED KINGDOM

The Maltings, Wharf Road  
Grantham  
Lincolnshire NG31 6BH  
England  
Telephone: +44 (0)1476 584333  
Fax: +44 (0)1476 584334  
<http://www.genieindustries.com>