



Contracting & Services LTD.

Manufacturing Division
A Member of Afcon Holdings Group



General Catalogue

LVPT SYSTEM

Low Voltage distribution switchgears

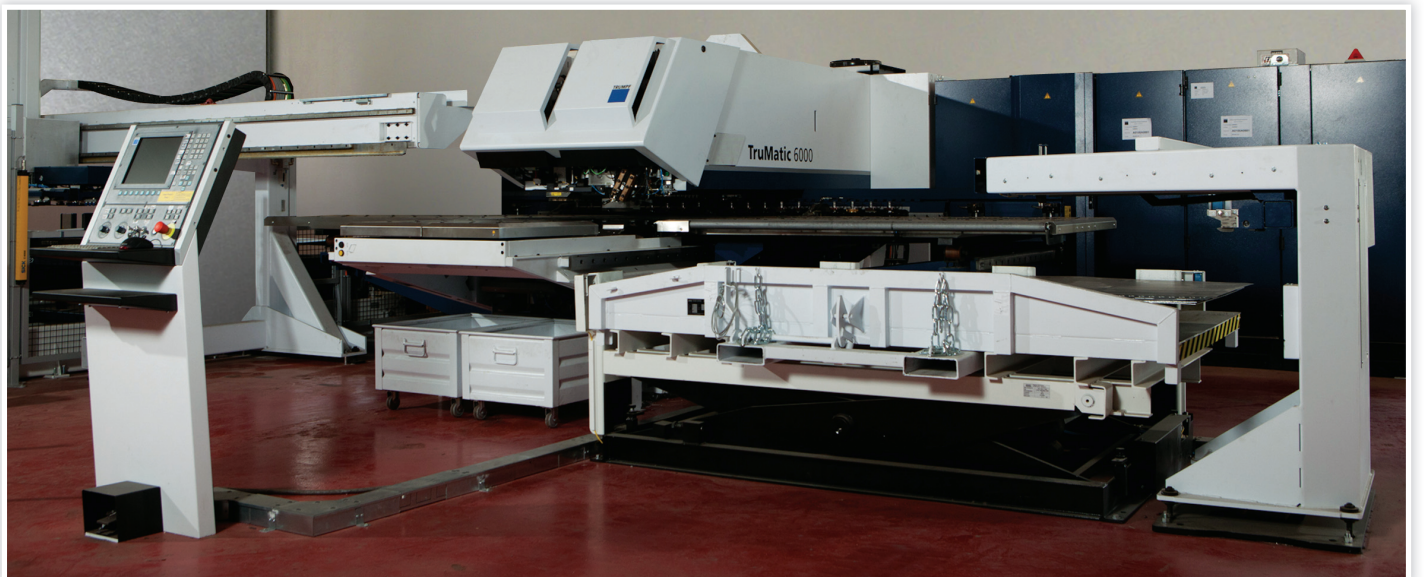


AFCON Manufacturing Division

About Afcon Group

AFCON Holdings LTD. is one of the largest industrial groups in Israel. The group engages in the design, manufacture, supply, installation and integration of electro-mechanical and control products and systems, communications, fire and security systems. Additionally, it delivers products and control systems for natural gas distribution

The group clients include leading companies in the fields of energy, railway and road transportation, seaports and airports, fuel, water supply, water and waste water treatment systems, urban and rural development, communications and security, as well as a range of industrial plants and commercial and public installations and security facilities. In 2010, the company's annual turnover reached \$220 million. The company's manpower numbers 1200 employees. Branches operate in Petach Tikva, Haifa, Jerusalem and Beer Sheva in Israel, as well as in the Eastern and Central Europe, Russia and in the Caribbean.



AFCON Manufacturing Division

LVPT SYSTEM

Low Voltage distribution switchgear up to 6300 A



Safety for any Purpose - Type-Tested Assemblies for Power Centers and Power Distribution applications (according to IEC – 60439-1 standard & Israel standard 1419-part 1)

- Compact, space-saving design
- Economic energy distribution in the cubicles
- Easy project and detailed engineering through standardized components
- Comprehensive range of standardized types
- Easy to assemble without any special tools
- Easy to convert and to retrofit
- Essentially maintenance-free
- High operational reliability and availability
- Optimal personnel protection
- Continues to be a safe investment for the future due to its continuous further development.

AFCON Manufacturing Division LVPT SYSTEM

Low Voltage distribution switchgear up to 6300 A



Range:
1250, 2500, 3200, 4000, 5000, 6000*A

Features

- Original manufacture
- Type-tested standard cubicles (TTA) IEC 60439-1, 61439-1
- Temperature rise tested with full In current natural ventilation
- Earthquake tested
- 3 and 4 phases main busbar system
- Rated short circuit withstand current Icw up to 100 kA, 1 sec
- Modular structure of device compartments
- Front and rear access
- Cable entry from top or bottom

Benefits

- Safety and peace of mind assured by type tests
- ABB equipment inside
- Local design and production for economical
- Solution and short delivery time
- Quality assured by ISO 9001:2008



*6000A - Please consult with the factory

AFCON Manufacturing Division

LVPT SYSTEM

Specifications

Technical Data

Features

Standards	TTA Switchgear assembly corresponding to a large degree with the original type of switchgear assembly type-tested in accordance with these standards.
Test certificates	Type tests per IEC 60439-1; 61439-1/2 Israel standard 1419 part 1

Electrical Data

Features

Rated voltage	Rated insulation voltage U_i	1000V
	Rated operating voltage U_e	690V
	Rated impulse withstand voltage U_{imp}	12kV / 8kV (for MCCB)
	Rated frequency	50 or 60 Hz
Rated Busbar current	Rated current I_e	1250/2500/3200/4000/5000/6300*A
	Rated short-time withstand current $I_{cw-1 sec}$	up to 100 kA
	Rated peak withstand current I_{pk}	up to 220 kA

Mechanical characteristics

Features

Dimensions Cubicles and supporting structures	Hight	2100mm +base 50 mm
	Width	600,700,800,900 mm
	Depth	400,500,600,800,1000,1500 mm
Surface protection	Frame	Alu-Zinc coated
	Internal Subdivision	Alu-Zinc coated
	Enclosure	Painted RAL 7035
Degrees of protection	According to IEC 60529	IP 31 up to IP55
Internal Subdivision	Form 1- 2a - 2b - 3a - 3b - 4a - 4b	
Cable/busbar entry	From the bottom or from the top	
Main busbars location	Top, rear and at the bottom	
Mimic bus diagram	with or without	
Equipment	Circuit breakers type: Emax, Tmax, XT manufactured by ABB	

* 6300A - Consult with the factory

AFCON LVPT Distribution switchgears

Table of contents

<i>Switchgear Construction – General Overview</i>	<i>4</i>
<i>Family Parts.....</i>	<i>4</i>
<i>Cabinet types.....</i>	<i>5</i>
<i>ACB's.....</i>	<i>8</i>
<i>ACB's FORM 1/2 segregation.....</i>	<i>9</i>
<i>ACB Standard Cabinets up to 1250 /1600A.....</i>	<i>9</i>
<i>ACB Standard Cabinets up to 1250 /1600A.....</i>	<i>10</i>
<i>ACB Standard Cabinets up to 1600A.....</i>	<i>11</i>
<i>ACB Standard Cabinets up to 2000A.....</i>	<i>12</i>
<i>ACB Standard Cabinets up to 2500A.....</i>	<i>13</i>
<i>ACB Standard Cabinets up to 3200A.....</i>	<i>14</i>
<i>FORM 1/2 segregation-Double Level</i>	<i>15</i>
<i>ACB Double Level Standard Cabinets up to 1250 /1600A.....</i>	<i>15</i>
<i>ACB Double Level Standard Cabinets up to 2000A.....</i>	<i>16</i>
<i>ACB Double Level Standard Cabinets up to 2500A / 3200A</i>	<i>17</i>
<i>ACB – Optional Connections of External cable.....</i>	<i>18</i>
<i>Outgoing MCCB Cabinets - FORM 1/2 segregation</i>	<i>19</i>
<i>MCCB (F) – Vertical installation with FRONT connection (*Optional with Panel cover).....</i>	<i>21</i>
<i>MCCB (F / P) – Horizontal installation with FRONT connection Cell W=500mm only</i>	<i>21</i>
<i>MCCB (Fixed) – Horizontal installation with REAR connection Cell W=500 /600 mm</i>	<i>22</i>
<i>MCCB (Plug-in) – Horizontal installation with REAR connection Cell W=500 /600 mm.....</i>	<i>22</i>
<i>MCCB (F) – Vertical installation with REAR connection Cell W=500 /600 mm.....</i>	<i>23</i>
<i>MCCB (F) – Vertical installation with FRONT connection Cell W=500 /600 mm.....</i>	<i>23</i>
<i>MCCB (Interlocked) – Vertical installation with FRONT / REAR connection.....</i>	<i>23</i>
<i>MCCB (Interlocked) – Horizontal installation with REAR connection only</i>	<i>23</i>
<i>General Blind Back Plates for MCB's / Contactors / Disconnectors or control equipments.</i>	<i>24</i>

AFCON LVPT Distribution switchgears

<i>MCB's Module FORM 1/2 segregation</i>	25
<i>MCB's Module Main Frame</i>	27
<i>MCB's Assemble</i>	29
<i>INTERNAL PANELS for MCB's Module</i>	31
<i>MCB's with Panels and Door- Dimensions of installation</i>	32
<i>MCB's with Panels without Door - Dimensions of installation</i>	33
<i>Selection of internal panels</i>	34
<i>Terminal blocks Arrangement</i>	35
<i>Top mounting</i>	35
<i>Bottom mounting</i>	35
<i>Busbars Arrangement</i>	36
<i>MAIN Horizontal busbars</i>	37
<i>Fixing the MAIN Horizontal busbars</i>	38
<i>Vertical Distribution busbars</i>	39
<i>Vertical Distribution busbars - Connection options</i>	40
<i>Flat Busbar Supports (Insulators)</i>	41
<i>"C" Busbar Supports (Insulators)</i>	42
<i>Main 'PE' / 'N' BusBar assemble up to 75KA</i>	43
<i>Distribution 'PE' / 'N' Busbars assemble up to 75KA</i>	44
<i>'PE' / 'N' Busbars selection</i>	45
<i>ACB's FORM 3/4 segregation</i>	46
<i>ACB's Cabinets with Form 3/4 segregation</i>	46
<i>ACB's Cabinets – Optional Doors Arrangement</i>	48
<i>MCCB's FORM 3/4 segregation</i>	49
<i>MCCB's Cabinets with Form 3/4 segregations – divided doors.</i>	49
<i>Separate Busbars Cabinet, Depth from 600mm to 1000mm (3p/4p)</i>	50
<i>Busbars in MCCB cabinet, Depth from 600mm to 1000mm (3p/4p)* *(600mm only 3p)</i>	51
<i>MCCB (F / P) – Horizontal installation with FRONT connection Cell W=500mm only</i>	52
<i>MCCB (Fixed) – Horizontal installation with REAR connection Cell W=500 /600 mm</i>	52
<i>MCCB (Plug-in) – Horizontal installation with REAR connection Cell W=500 /600 mm</i>	53

AFCON LVPT Distribution switchgears

<i>MCCB (F) – Vertical installation with REAR connection Cell W=500 /600 mm</i>	53
<i>MCCB (F) – Vertical installation with FRONT connection Cell W=500 /600 mm</i>	53
<i>MCCB (Interlocked) – Vertical installation with FRONT / REAR connection</i>	54
<i>MCCB (Interlocked) – Horizontal installation with REAR connection only</i>	54
<i>General Blind Back Plates for Contactors / Disconnectors or control equipments</i>	54
<i>Busbars FORM 3/4 segregation</i>	55
<i>Lateral Cubicle Separation</i>	56
<i>Front / Rear Doors</i>	57
<i>Hidden Axis 120 degree opening</i>	58
<i>External Axis 180 degree opening</i>	58
<i>Doors Grounding</i>	59
<i>Inserts and Keys</i>	59
<i>Top / bottom Covers</i>	60
<i>Side & Shaped side Covers</i>	61
<i>Plinth base 50mm Height</i>	62
<i>General Technical Data</i>	63
<i>Dissipated Power</i>	64
<i>Admitted power losses in CABINETS</i>	64
<i>Admitted power losses in FUNCTIONAL UNITS compartments</i>	64
<i>Forms of internal separation according to IEC 61439-1</i>	65
<i>Handling instructions</i>	67
<i>Parts Index</i>	68

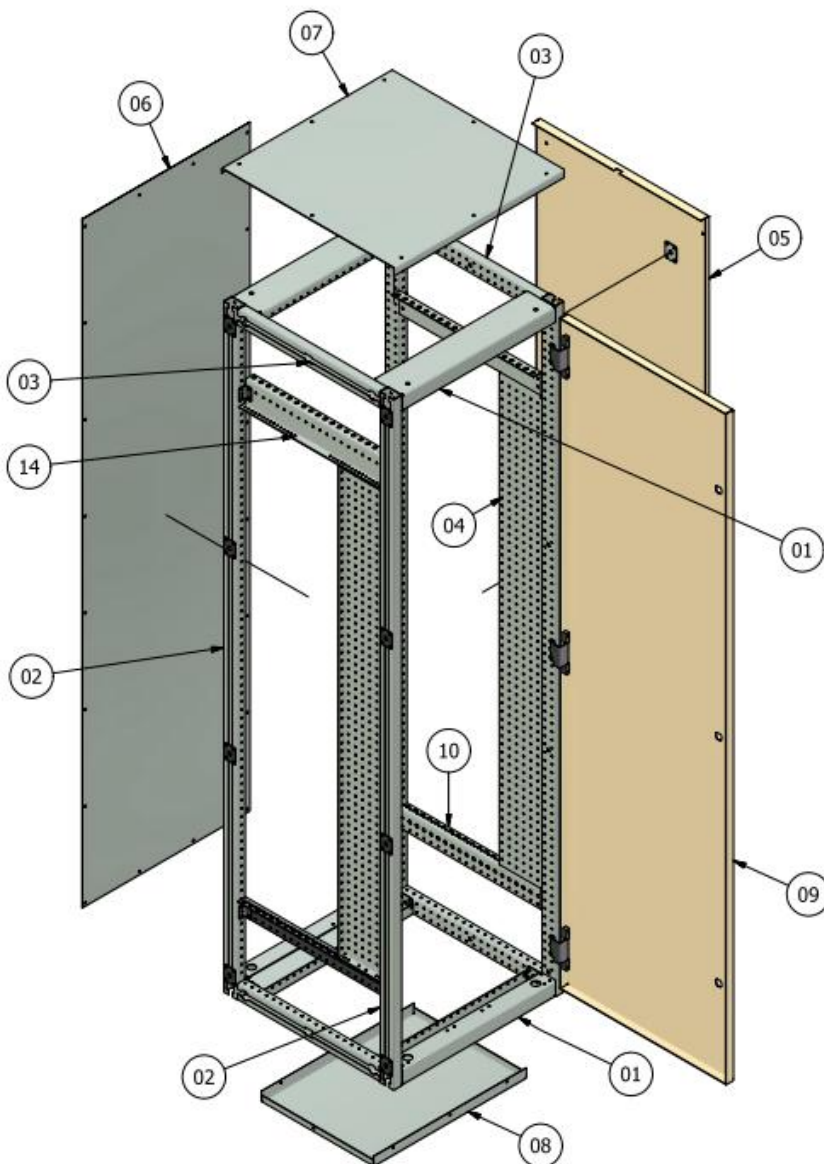
AFCON LVPT Distribution switchgears

Switchgear Construction – General Overview

Family Parts

SYSTEM LVPT panels built and ordered the form of separate parts with each part belongs to a number indicating the family to which it belongs.

The following describes the main parts families that make up the structure of the columns:



Description	Family
<i>Width cross bar</i>	1
<i>Uprights</i>	2
<i>Depth cross bar</i>	3
<i>Side equipment frame</i>	4
<i>Side cover</i>	5
<i>Rear cover</i>	6
<i>Top cover</i>	7
<i>Bottom cover</i>	8
<i>door</i>	9
<i>Side support</i>	10
<i>Equipment plate</i>	11
<i>*Other family parts will be detailed later</i>	

AFCON LVPT Distribution switchgears

Switchgear Construction – General Overview

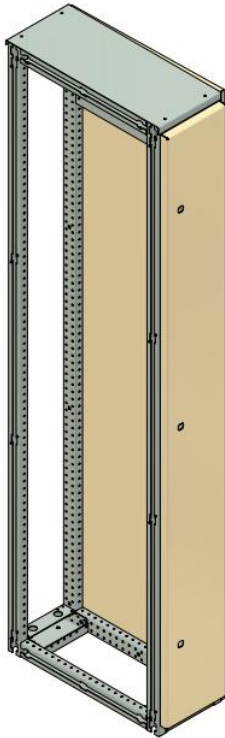
Cabinet types



General equipment cabinets					
D (mm)	W (mm)	H (mm)	D (mm)	W (mm)	H (mm)
400	500	2100	400	500	1800
500			500		
600			600		
800					
1000					
400	600	2100	400	600	1800
500			500		
600			600		
800					
1000					
400	700	2100	400	700	1800
500			500		
600			600		
800					
1000					
400	800	2100	400	800	1800
500			500		
600			600		
800					
1000					
400	900	2100	400	900	1800
500			500		
600			600		
800					
1000					
400	1000	2100	400	1000	1800
500			500		
600			600		
800					
1000					
400	1200	2100	400	1200	1800
500			500		
600			600		
800					
1000					

AFCON LVPT Distribution switchgears

Switchgear Construction – General Overview



Cable containers					
D (mm)	W (mm)	H (mm)	D (mm)	W (mm)	H (mm)
400	300	2100			
500					
600					
800					
1000					
400	400	2100	400	400	1800
500			500		
600			600		
800					
1000					

Busbars containers		
D (mm)	W (mm)	H (mm)
400	250	2100
500		
600		
800		
1000		



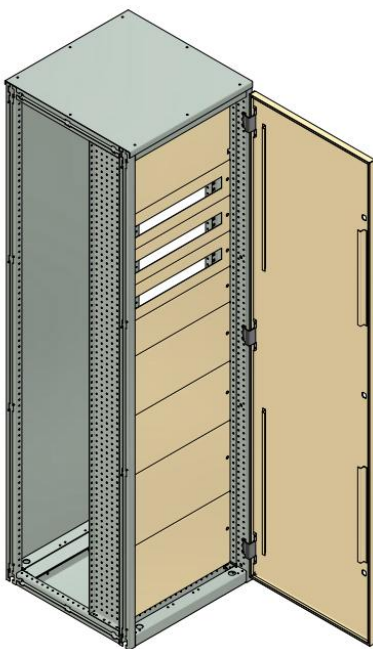
Cabinets with Divided Doors					
D (mm)	W (mm)	H (mm)	D (mm)	W (mm)	H (mm)
400	600	2100	400	500	2100
500			500		
600			600		
800			800		
1000			1000		

AFCON LVPT Distribution switchgears

Switchgear Construction – General Overview



Cabinets with Front Panels					
D (mm)	W (mm)	H (mm)	D (mm)	W (mm)	H (mm)
400	500	2100	400	500	1800
500			500		
600			600		
800					
1000					
400	600	2100	400	600	1800
500			500		
600			600		
800					
1000					
400	700	2100			
500					
600					
800					
1000					
400	800	2100	400	800	1800
500			500		
600			600		
800					
1000					



Cabinets with Front Panels & Doors					
D (mm)	W (mm)	H (mm)	D (mm)	W (mm)	H (mm)
400	500	2100	400	500	1800
500			500		
600			600		
800					
1000					
400	600	2100	400	600	1800
500			500		
600			600		
800					
1000					
400	700	2100			
500					
600					
800					
1000					
400	800	2100	400	800	1800
500			500		
600			600		
800					
1000					

AFCON LVPT Distribution switchgears

ACB's

ACB's

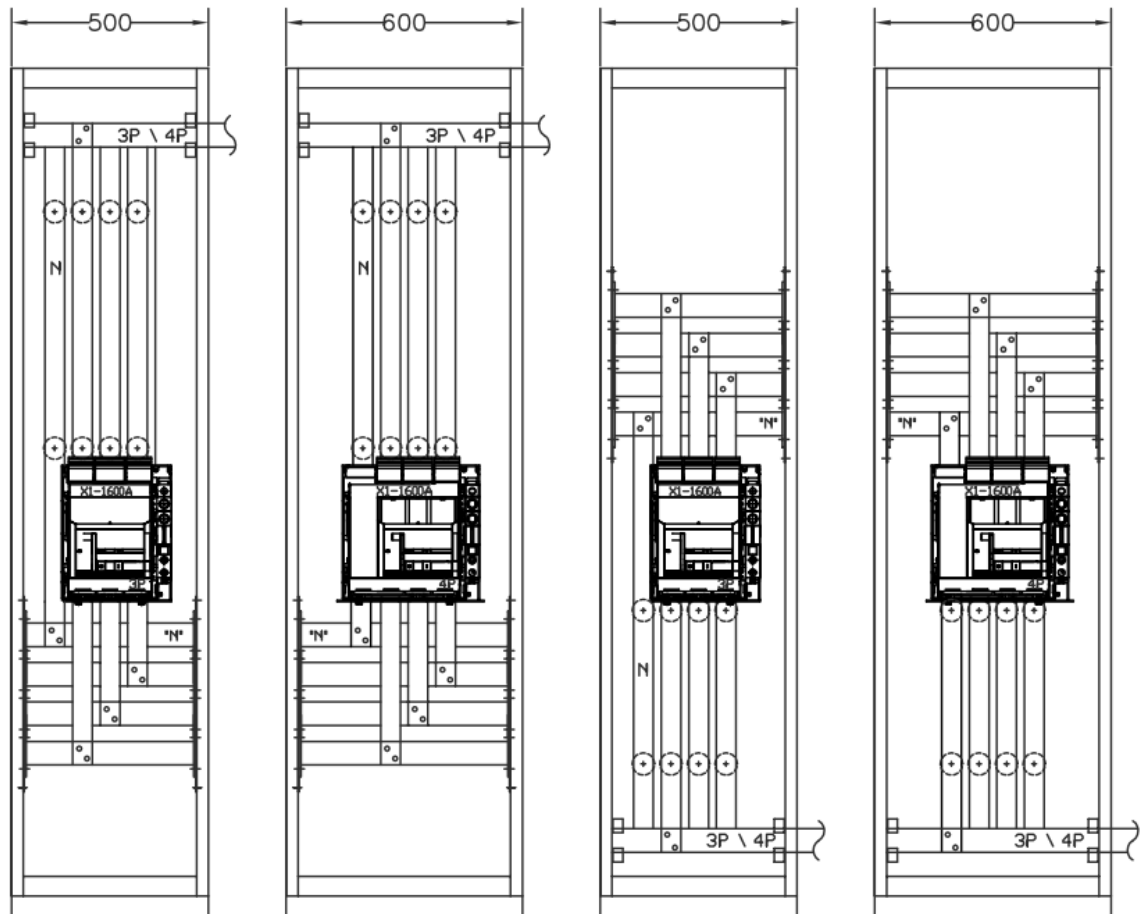


AFCON LVPT Distribution switchgears

ACB's FORM 1/2 segregation

ACB Standard Cabinets up to 1250 /1600A

Breaker type	X1/T7-1600A-3P	X1/T7-1600A-4P	X1/T7-1600A-3P	X1/T7-1600A-4P
In up to	1600A	1600A	1600A	1600A
Icw up to	42KA	42KA	42KA	42KA
HxWxD (mm)	2100x500x800	2100x600x800	2100x500x800	2100x600x800
Entrance	Bottom	Bottom	Top	Top
Protection degree	IP3X (**)	IP3X (**)	IP3X (**)	IP3X (**)
Item no'	90-01	90-02	90-03	90-04



* Item. no' refer the construction only, for parts list refer to Annex AF1.

** For greater IP degree see Annex AF1

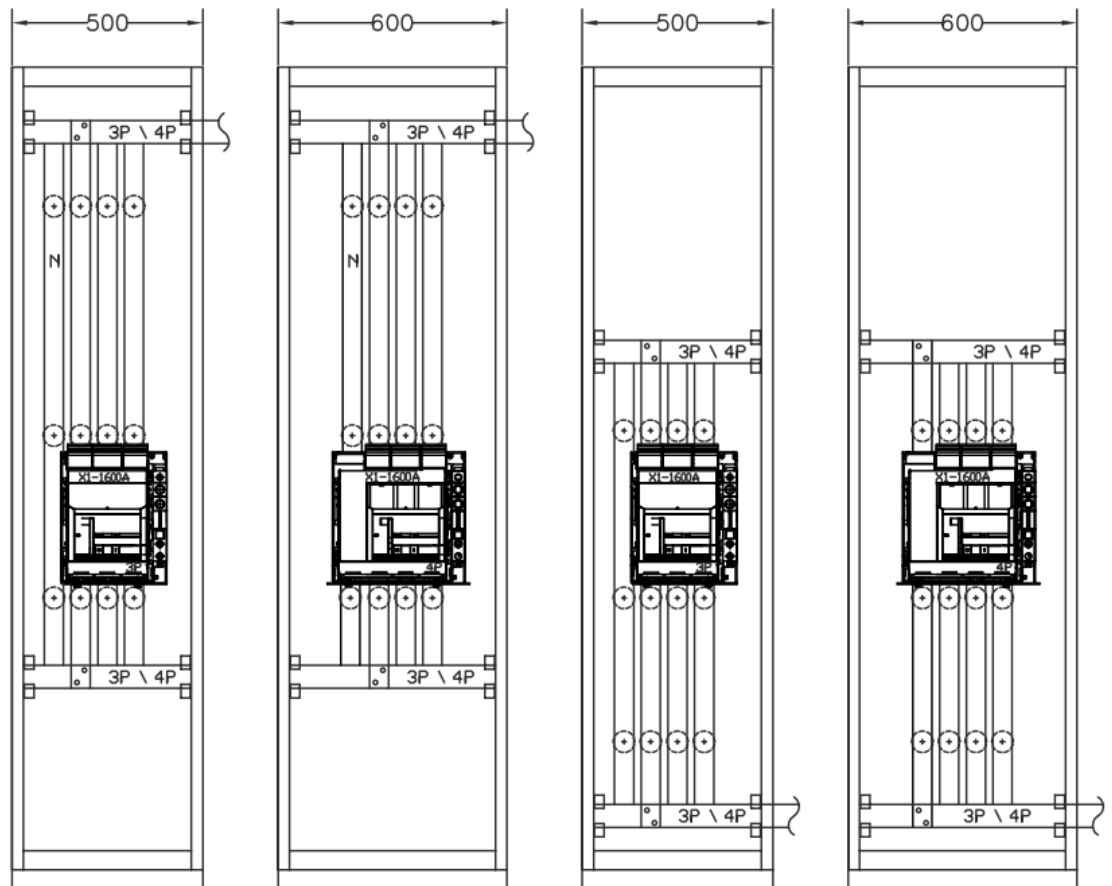
Additional parts for Form 2 segregation see Annex AF1.

AFCON LVPT Distribution switchgears

FORM 1/2 segregation

ACB Standard Cabinets up to 1250 /1600A

Breaker type	X1/T7-1600A-3P	X1/T7-1600A-4P	X1/T7-1600A-3P	X1/T7-1600A-4P
In up to	1600A	1600A	1600A	1600A
lcw up to	42KA	42KA	42KA	42KA
HxWxD (mm)	2100x500x600	2100x600x600	2100x500x600	2100x600x600
Entrance	Bottom	Bottom	Top	Top
Protection degree	IP3X (**)	IP3X (**)	IP3X (**)	IP3X (**)
Item no'	90-05	90-06	90-07	90-08



* Item. no' refer the construction only, for parts list refer to Annex AF1.

** For greater IP degree see Annex AF1

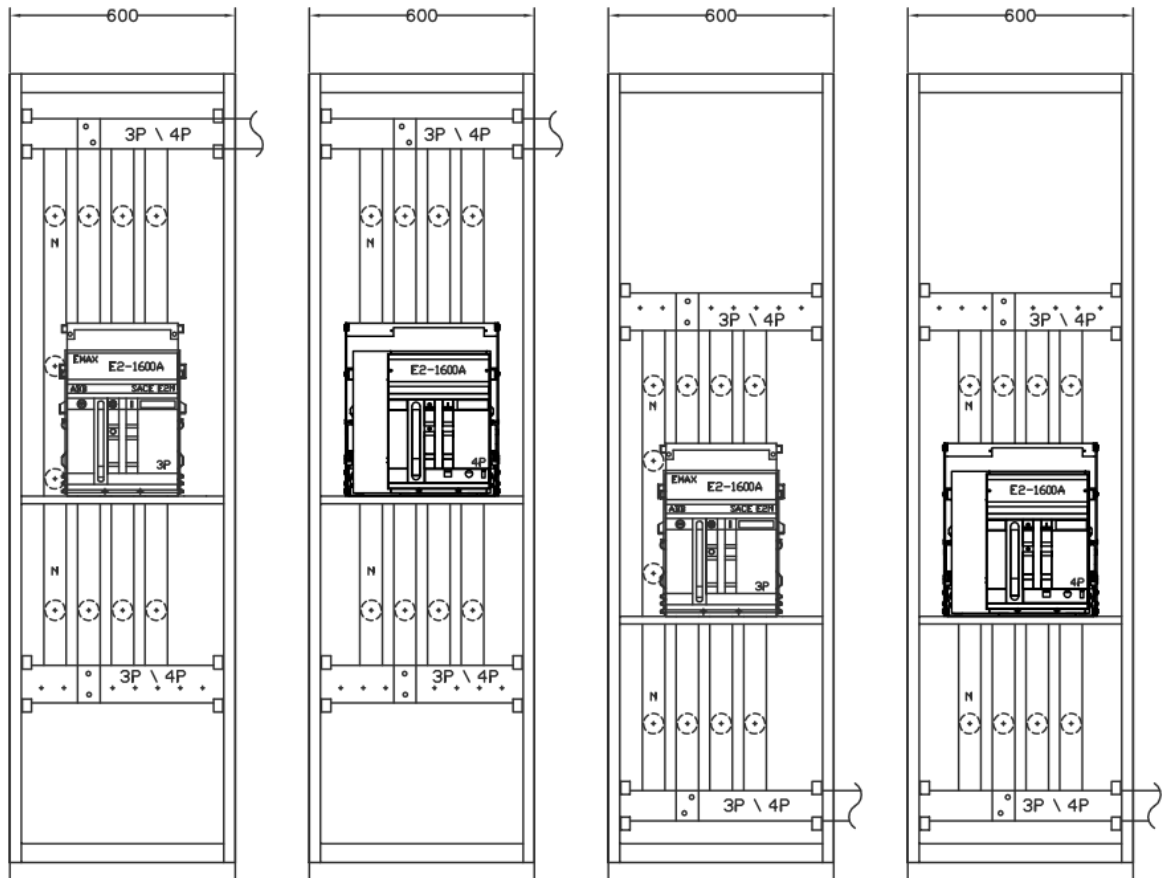
Additional parts for Form 2 segregation see Annex AF1.

AFCON LVPT Distribution switchgears

FORM 1/2 segregation

ACB Standard Cabinets up to 1600A

Breaker type	E2-1600A-3P	E2-1600A-4P	E2-1600A-3P	E2-1600A-4P
In up to	1600A	1600A	1600A	1600A
lcw up to	65KA	65KA	65KA	65KA
HxWxD (mm)	2100x600x600	2100x600x600	2100x600x600	2100x600x600
Entrance	Bottom	Bottom	Top	Top
Protection degree	IP3X (**)	IP3X (**)	IP3X (**)	IP3X (**)
Item no'	90-09	90-10	90-11	90-12



* Item. no' refer the construction only, for parts list refer to Annex AF1.

** For greater IP degree see Annex AF1

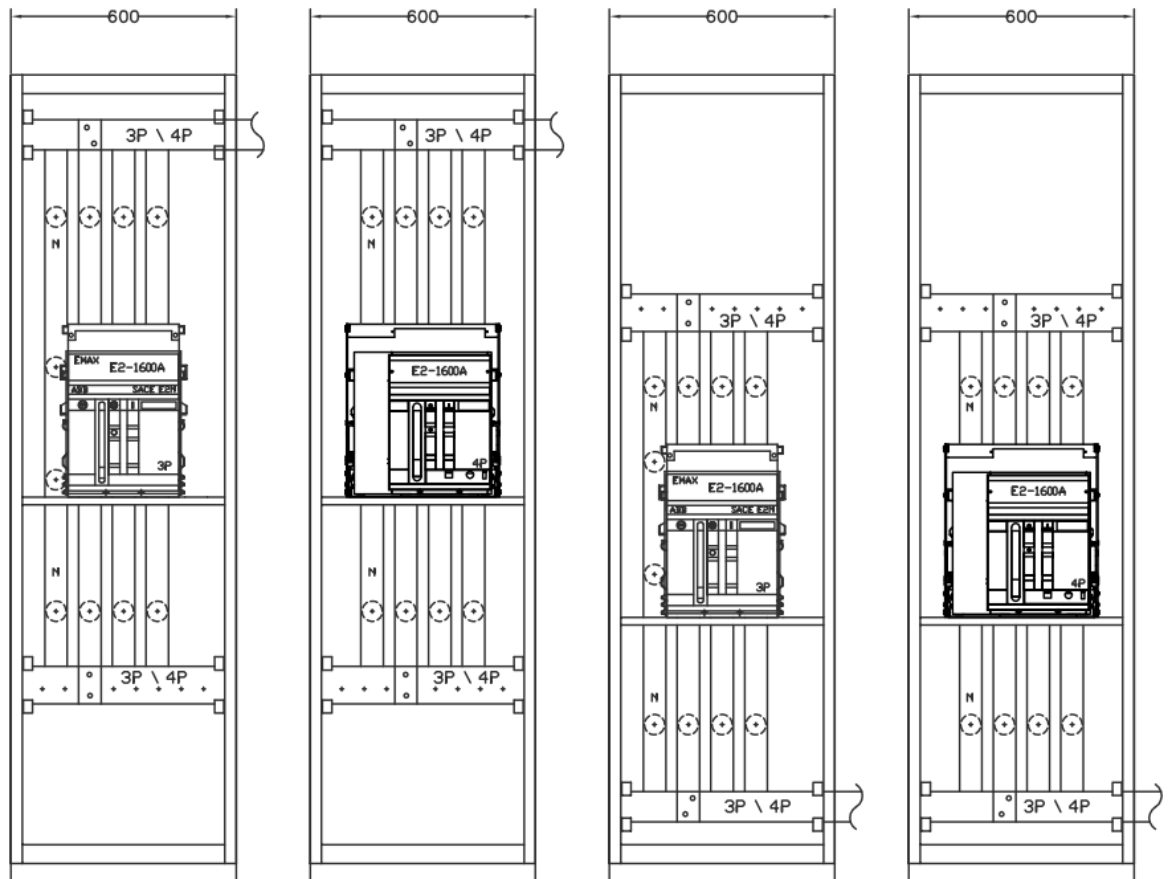
Additional parts for Form 2 segregation see Annex AF1.

AFCON LVPT Distribution switchgears

FORM 1/2 segregation

ACB Standard Cabinets up to 2000A

Breaker type	E2-2000A-3P	E2-2000A-4P	E2-2000A-3P	E2-2000A-4P
In up to	2000A	2000A	2000A	2000A
lcw up to	65KA	65KA	65KA	65KA
HxWxD (mm)	2100x600x800	2100x600x800	2100x600x800	2100x600x800
Entrance	Bottom	Bottom	Top	Top
Protection degree	IP3X (**)	IP3X (**)	IP3X (**)	IP3X (**)
Item no'	90-13	90-14	90-15	90-16



* Item. no' refer the construction only, for parts list refer to Annex AF1.

** For greater IP degree see Annex AF1

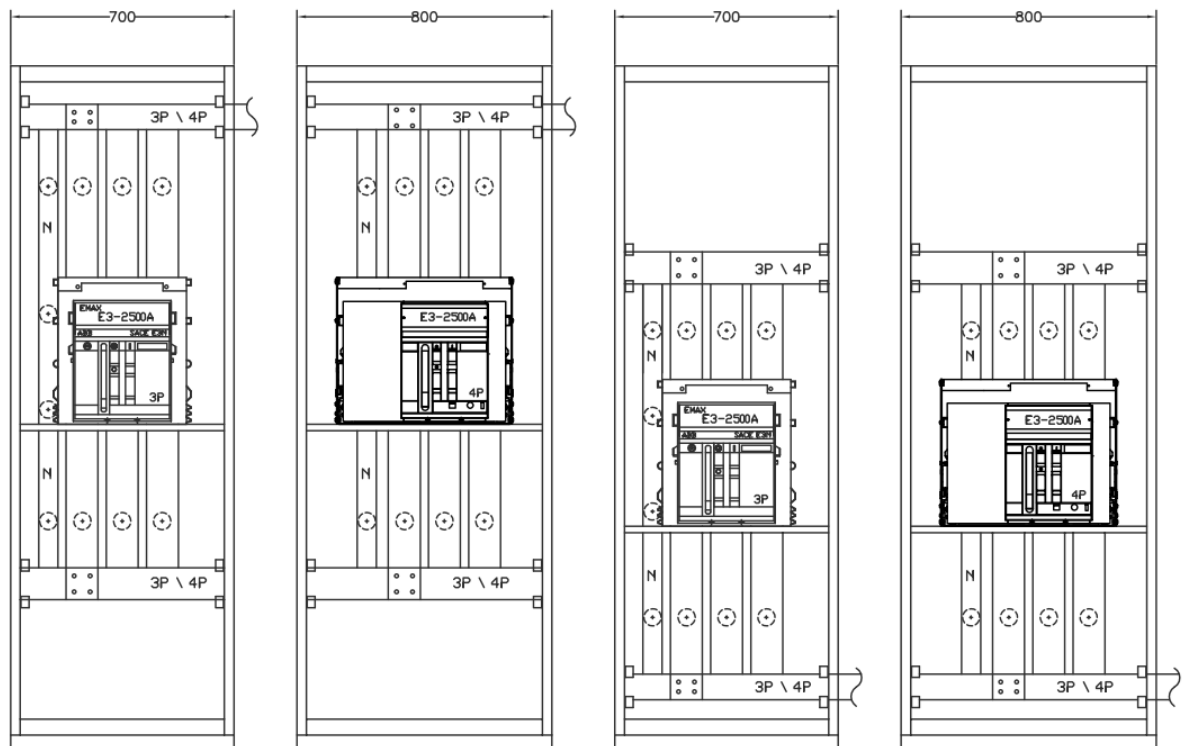
Additional parts for Form 2 segregation see Annex AF1.

AFCON LVPT Distribution switchgears

FORM 1/2 segregation

ACB Standard Cabinets up to 2500A

Breaker type	E3-2500A-3P	E3-2500A-4P	E3-2500A-3P	E3-2500A-4P
In up to	2500A	2500A	2500A	2500A
lcw up to	75KA	75KA	75KA	75KA
HxWxD (mm)	2100x700x600	2100x800x600	2100x700x600	2100x800x600
Entrance	Bottom	Bottom	Top	Top
Protection degree	IP3X (**)	IP3X (**)	IP3X (**)	IP3X (**)
Item no'	90-17	90-18	90-19	90-20



* Item. no' refer the construction only, for parts list refer to Annex AF1.

** For greater IP degree see Annex AF1

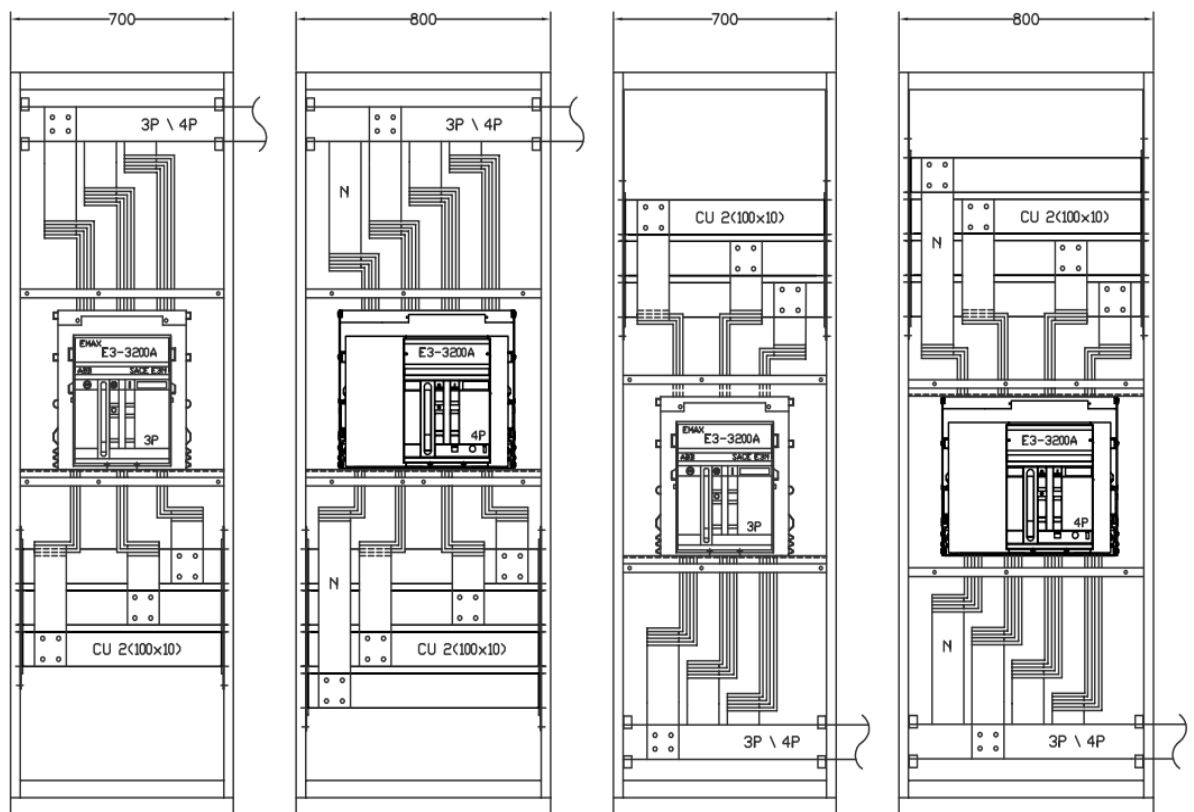
Additional parts for Form 2 segregation see Annex AF1.

AFCON LVPT Distribution switchgears

FORM 1/2 segregation

ACB Standard Cabinets up to 3200A

Breaker type	E3H-3200A-3P withdrawable	E3N-3200A-4P withdrawable	E3H-3200A-3P withdrawable	E3N-3200A-4P withdrawable
In up to	3200A	3200A	3200A	3200A
Icw up to	100KA	100KA	100KA	100KA
HxWxD (mm)	2100x700x1000	2100x800x1000	2100x700x1000	2100x800x1000
Entrance	Bottom	Bottom	Top	Top
Protection degree	IP3X (**)	IP3X (**)	IP3X (**)	IP3X (**)
Item no'	90-21	90-22	90-23	90-24



* Item. no' refer the construction only, for parts list refer to Annex AF1.

** For greater IP degree see Annex AF1

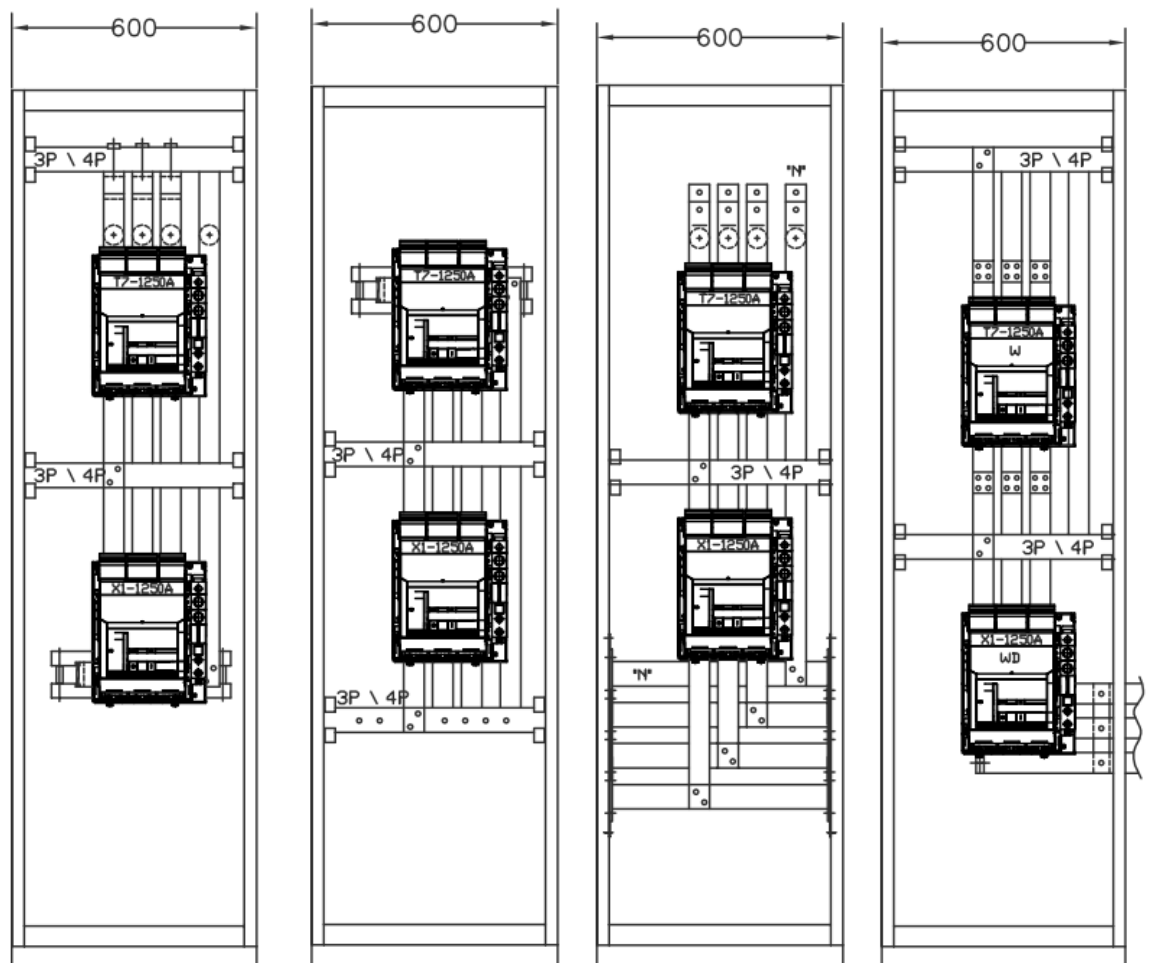
Additional parts for Form 2 segregation see Annex AF1.

AFCON LVPT Distribution switchgears

FORM 1/2 segregation-Double Level

ACB Double Level Standard Cabinets up to 1250 /1600A

Breaker type	X1/T7-1600A-3P/4P	X1/T7-1600A-3P/4P	X1/T7-1600A-3P/4P	X1/T7-1600A-3P/4P
In up to	1600A	1600A	1600A	1600A
lcw up to	42KA	42KA	42KA	42KA
HxWxD (mm)	2100x600x800	2100x600x800	2100x600x800	2100x600x600
Entrance	Bottom	Bottom / Top	Bottom / Top	Bottom
Upper CB	Coupler	Incoming/Outgoing	Incoming/Outgoing	Coupler
Lower CB	Incoming/Outgoing	Incoming/Outgoing	Incoming/Outgoing	Incoming/Outgoing
Protection degree	IP3X (**)	IP3X (**)	IP3X (**)	IP3X (**)
Item no'	90-25	90-26	90-27	90-28



* Item. no' refer the construction only, for parts list refer to Annex AF1.

** For greater IP degree see Annex AF1

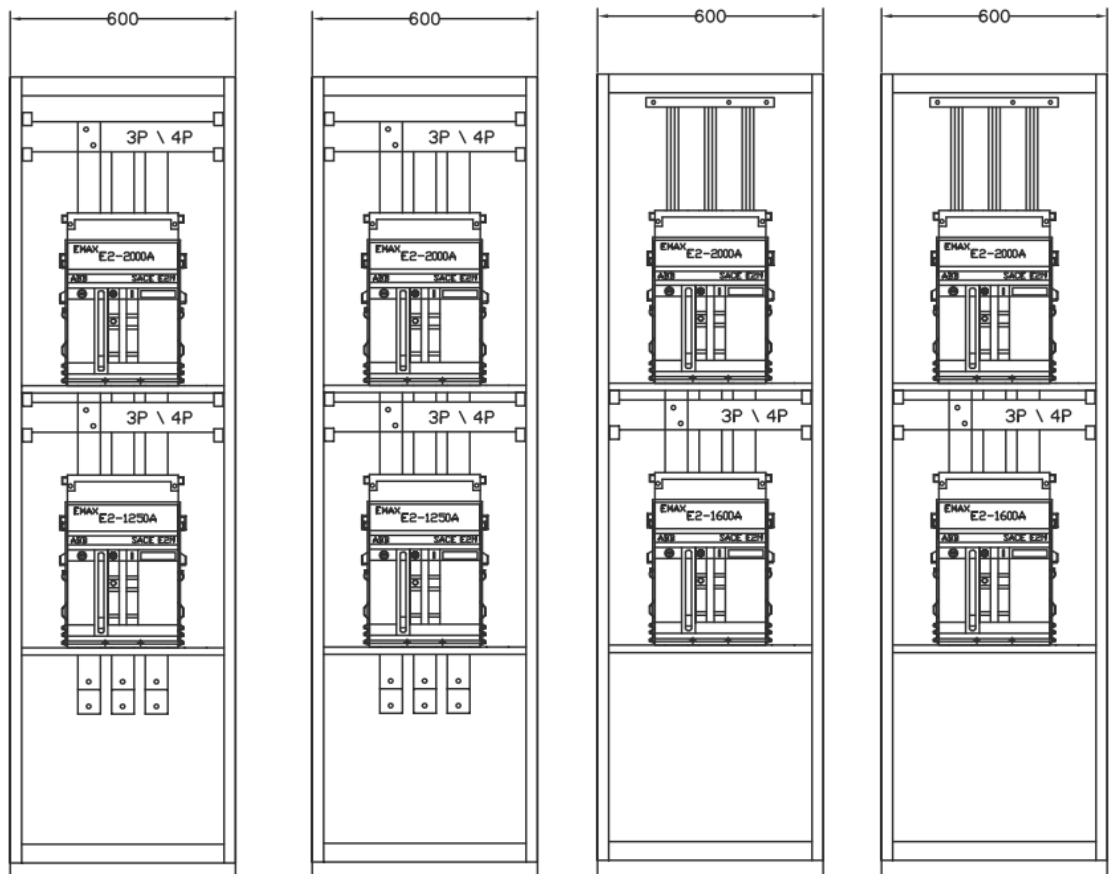
Additional parts for Form 2 segregation see Annex AF1.

AFCON LVPT Distribution switchgears

FORM 1/2 segregation-Double Level

ACB Double Level Standard Cabinets up to 2000A

Breaker type	E2-2000A-3P	E2-2000A-4P	E2-2000A-3P	E2-2000A-4P
In up to	2000A	2000A	2000A	2000A
lcw up to	65KA	65KA	65KA	65KA
HxWxD (mm)	2100x600x800	2100x600x1000	2100x600x800	2100x600x1000
Entrance	Bottom	Bottom	Bottom / Top	Bottom / Top
Upper CB	Coupler	Coupler	Incoming/Outgoing	Incoming/Outgoing
Lower CB	Incoming/Outgoing	Incoming/Outgoing	Incoming/Outgoing /coupler	Incoming/Outgoing /coupler
Protection degree	IP3X (**)	IP3X (**)	IP3X (**)	IP3X (**)
Item no'	90-29	90-30	90-31	90-32



* Item. no' refer the construction only, for parts list refer to Annex AF1.

** For greater IP degree see Annex AF1

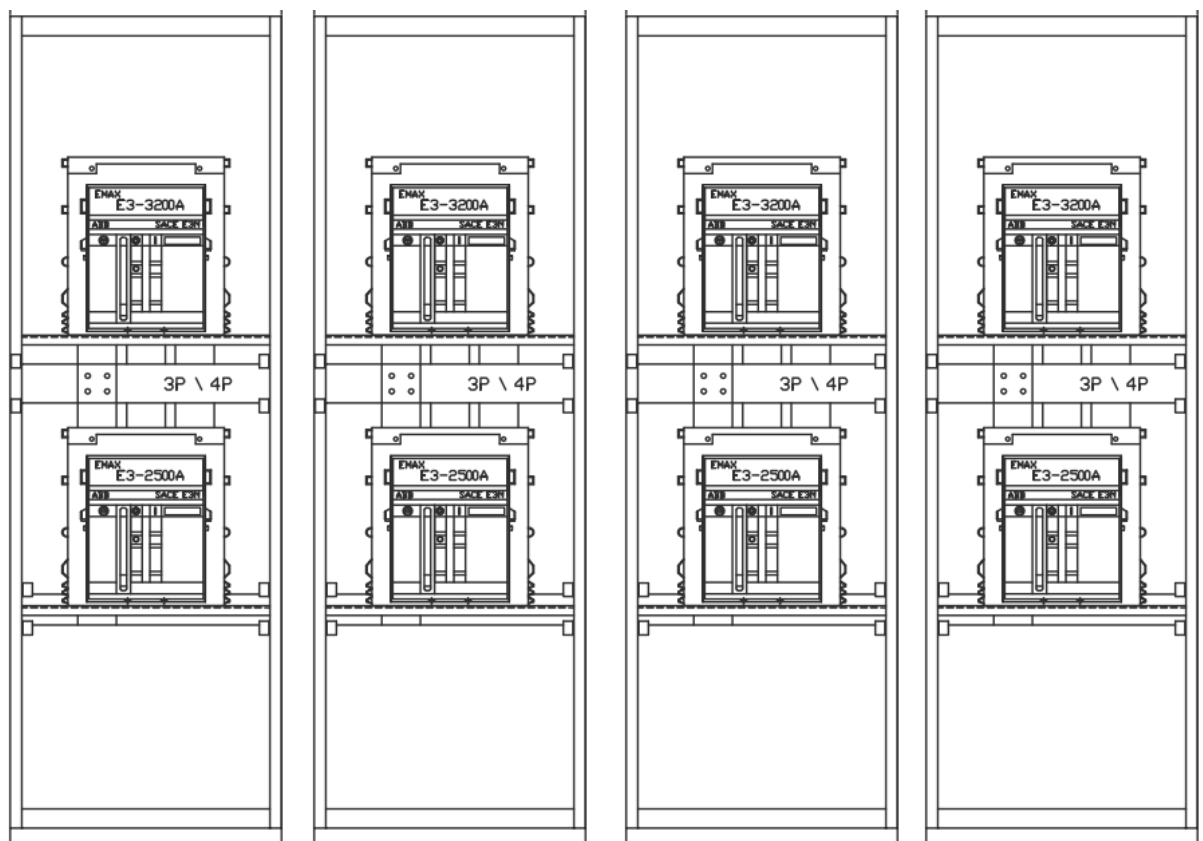
Additional parts for Form 2 segregation see Annex AF1.

AFCON LVPT Distribution switchgears

FORM 1/2 segregation-Double Level

ACB Double Level Standard Cabinets up to 2500A / 3200A

Breaker type	E3-2500A-3P	E3-2500A-4P	E3-3200A-3P	E3-3200A-4P
In up to	2500A	2500A	3200A	3200A
lcw up to	65KA	65KA	65KA	65KA
HxWxD (mm)	2100x700x800	2100x800x1000	2100x700x1000	2100x800x1000
Entrance	Bottom / Top	Bottom / Top	Bottom / Top	Bottom / Top
Upper CB	Incoming/Outgoing	Incoming/Outgoing	Incoming/Outgoing	Incoming/Outgoing
Lower CB	Incoming/Outgoing /Coupler	Incoming/Outgoing /Coupler	Incoming/Outgoing /Coupler	Incoming/Outgoing /Coupler
Protection degree	IP3X (**)	IP3X (**)	IP3X (**)	IP3X (**)
Item no'	90-33	90-34	90-35	90-36



* Item. no' refer the construction only, for parts list refer to Annex AF1.

** For greater IP degree see Annex AF1

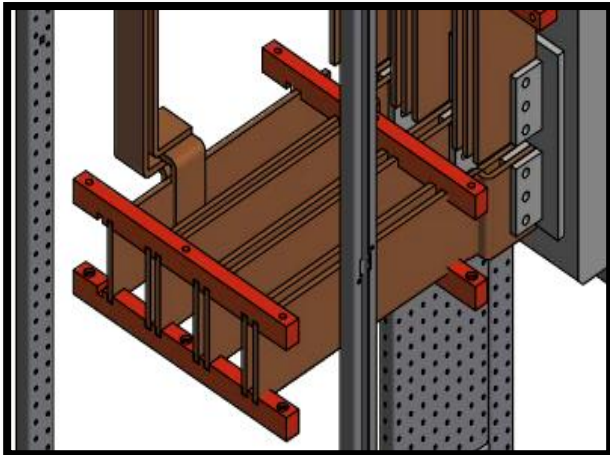
Additional parts for Form 2 segregation see Annex AF1.

AFCON LVPT Distribution switchgears

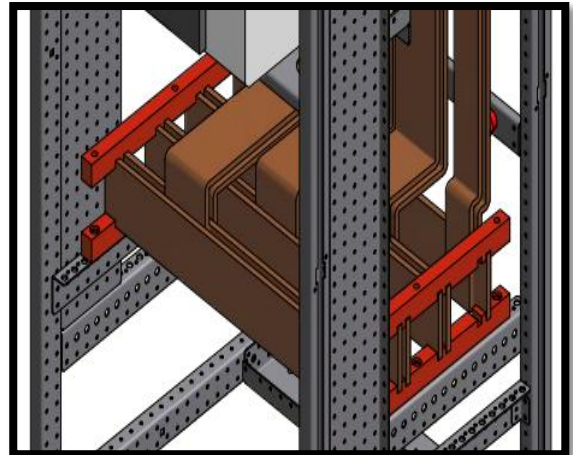
FORM 1/2 segregation

ACB – Optional Connections of External cable.

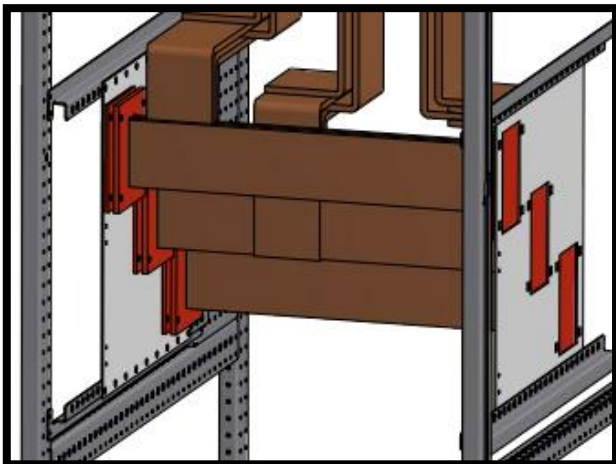
1. Rear access cable connection:



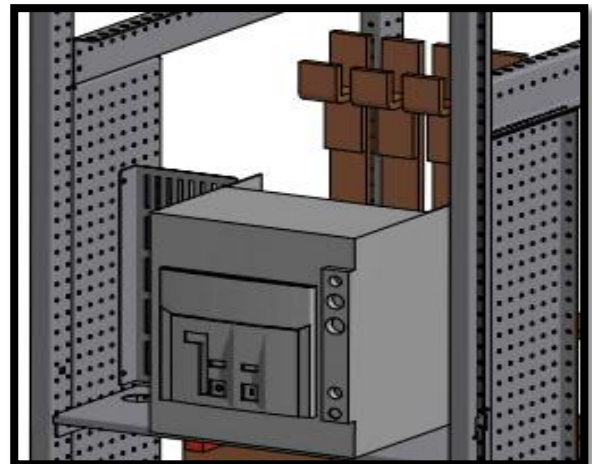
2. Front / rear parallel cable connection



3. Front / rear Scaled cable connection



4. Front / rear Lugs cable connection



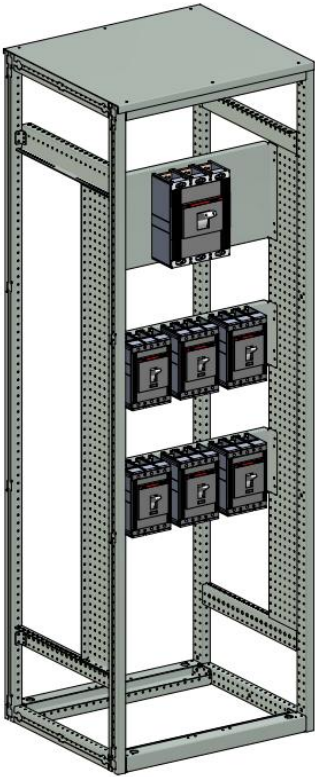
AFCON LVPT Distribution switchgears

Outgoing MCCB Cabinets - FORM 1/2 segregation



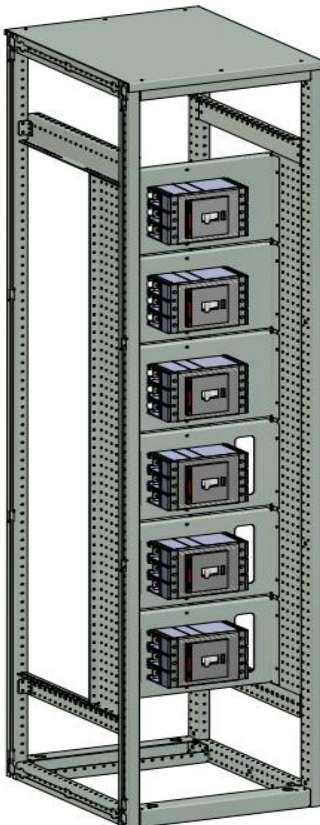
AFCON LVPT Distribution switchgears

Outgoing MCCB Cabinets - FORM 1/2 segregation



Cabinets for Vertical MCCB's Cell H = 2100 mm

	Item no'	Item no'	Item no'	Item no'
D	500	600	700	800
(mm)	W (mm)	W (mm)	W (mm)	W (mm)
400	90-50	90-61	90-70	90-80
500	90-51	90-62	90-71	90-81
600	90-52	90-63	90-72	90-82
800	90-53	90-64	90-73	90-83
1000	90-54	90-65	90-74	90-84



Cabinets for Horizontal MCCB's Cell H = 2100 mm

	Item no'	Item no'
D	500	600
(mm)	W (mm)	W (mm)
400	91-50	91-61
500	91-51	91-62
600	91-52	91-63
800	91-53	91-64
1000	91-54	91-65

AFCON LVPT Distribution switchgears

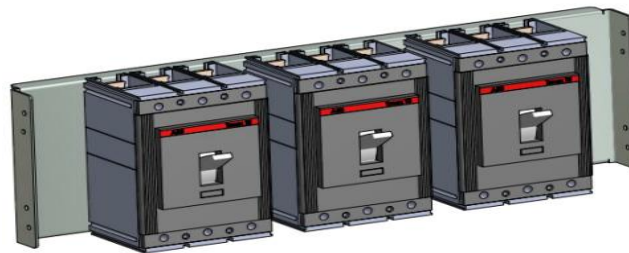
FORM 1/2 segregation

MCCB (F) – Vertical installation with FRONT connection (*Optional with Panel cover)

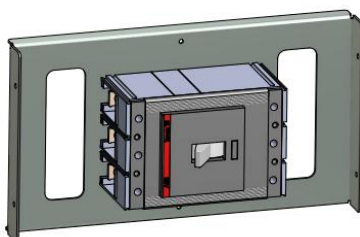
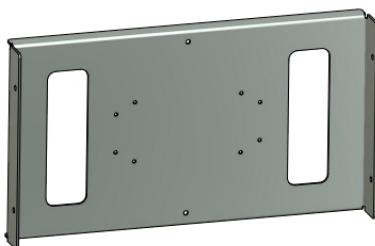
C.B - 3P*	Back Plate	Blind Panel	Cell 500	Cell 600	Cell 700	Cell 800
Tmax	H (mm)	H (mm)	Qty**	Qty	Qty	Qty
T1	150	200	4	5	6	7
T1	150	250	4	5	6	7
T2	150	200	3	4	5	6
T2	150	250	3	4	5	6
T3	150	250	3	4	5	6
T4	200	350	2	3	4	5
T5	200	350	2	2	3	3
T6	300	450	1	2	2	2
T7	300	500	1	1	2	2

*Fixed CB ; **No' of CB on plate.

- Parts Family see 11-xx in the Index and page 23.
- The plates without drilling.



MCCB (F / P) – Horizontal installation with FRONT connection Cell W=500mm only



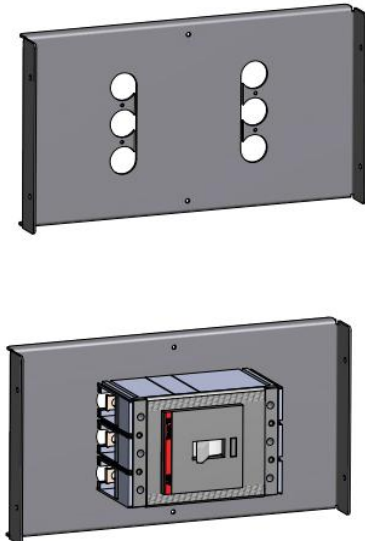
C.B - 3P*	Back Plate	Cell 500	Item no'	Cell 600	Item no'
Tmax	H (mm)	W (mm)		W (mm)	
T1**	150	500	40-41	600	40-45
T1	200		40-01		
T2	150		40-42		40-46
T2	200		40-02		
T3	200		40-03		
T4	200		40-04		
T4	250		40-66		
T5 - 400	250		40-05		
T5 - 400	300		40-06		
T5 - 630	300		40-06		

*Fixed / Plug in CB ; ** T1 only Fixed.

AFCON LVPT Distribution switchgears

FORM 1/2 segregation

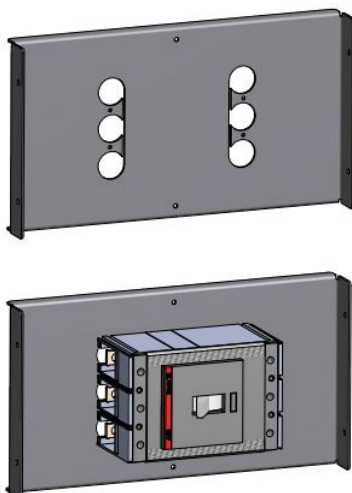
MCCB (Fixed) – Horizontal installation with REAR connection Cell W=500 /600 mm



C.B - 3P*	Back Plate	Cell 500	Item no'	Cell 600	Item no'
Tmax	H (mm)	W (mm)		W (mm)	
T1	150	500	40-43	600	40-47
T1	200		40-08		40-16
T2	150		40-44		40-48
T2	200		40-09		40-17
T3	200		40-10		40-18
T4	200		40-11		40-19
T4	250		40-67		40-68
T5 - 400	250		40-12		40-20
T5 - 630	300		40-13		40-21
T6 - 630	350		40-14		40-22
T6 - 800	400		40-49		40-50

*Fixed CB

MCCB (Plug-in) – Horizontal installation with REAR connection Cell W=500 /600 mm



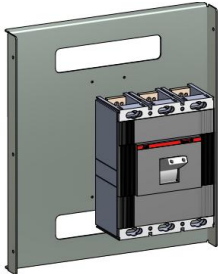
C.B - 3P*	Back Plate	Cell 500	Item no'	Cell 600	Item no'
Tmax	H (mm)	W (mm)		W (mm)	
T2	150	500	40-25	600	40-33
T2	200		40-26		40-34
T3	200		40-27		40-35
T4	200		40-28		40-36
T4	250		40-69		40-70
T5 - 400	250		40-29		40-37
T5 - 400	300		40-32		40-40
T5 - 630	300		40-30		40-38

*Plug-in CB

AFCON LVPT Distribution switchgears

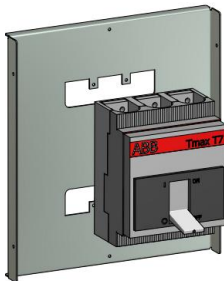
FORM 1/2 segregation

MCCB (F) – Vertical installation with REAR connection Cell W=500 /600 mm



C.B - 3P*	Back Plate	Cell 500	Item no'	Cell 600	Item no'
Tmax	H (mm)	W (mm)		W (mm)	
T6	500	500	40-07	600	40-23
*Fixed CB					

MCCB (F) – Vertical installation with FRONT connection Cell W=500 /600 mm



C.B - 3P*	Back Plate	Cell 500	Item no'	Cell 600	Item no'
Tmax	H (mm)	W (mm)		W (mm)	
T6	500	500	40-15	600	
T7 / X1	500		40-51		40-24
*Fixed CB					

MCCB (Interlocked) – Vertical installation with FRONT / REAR connection

C.B - 3P/4P*	Back Plate	Cell	Item no'
Tmax	H (mm)	W (mm)	
T3	400		40-80
T4	400	600	40-81
T5	400		40-82
T6	500	800	40-83
*Fixed CB			

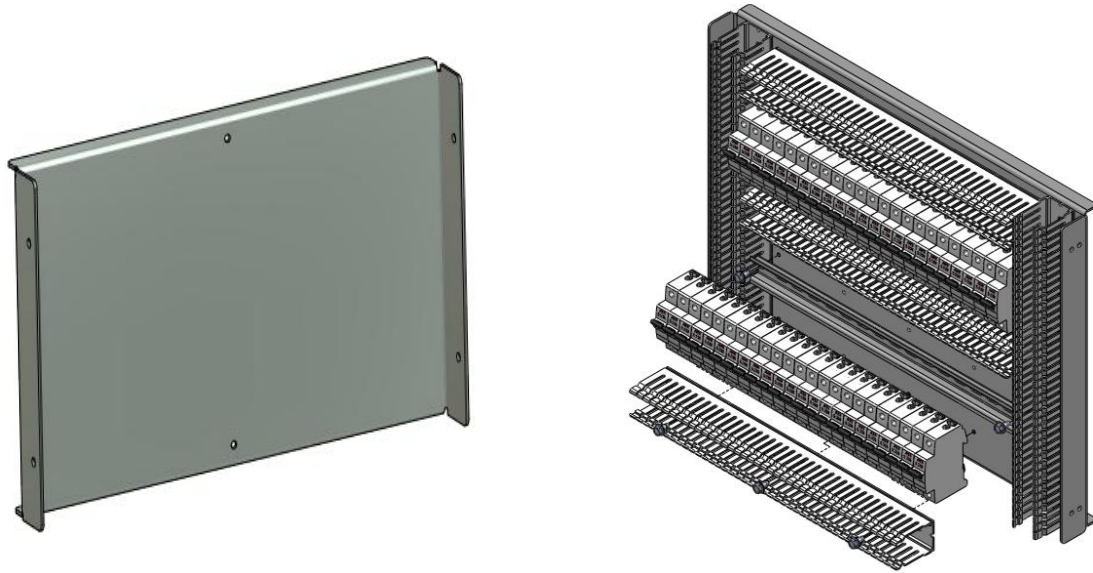
MCCB (Interlocked) – Horizontal installation with REAR connection only

C.B - 3P/4P*	Back Plate	Cell 500	Item no'	Cell 600	Item no'
Tmax	H (mm)	W (mm)		W (mm)	
T3	400		40-84		40-87
T4	400	500	40-85	600	40-88
T5	400		40-86		40-89
T6	500		X	600	40-90
*Fixed CB					

AFCON LVPT Distribution switchgears

FORM 1/2 segregation

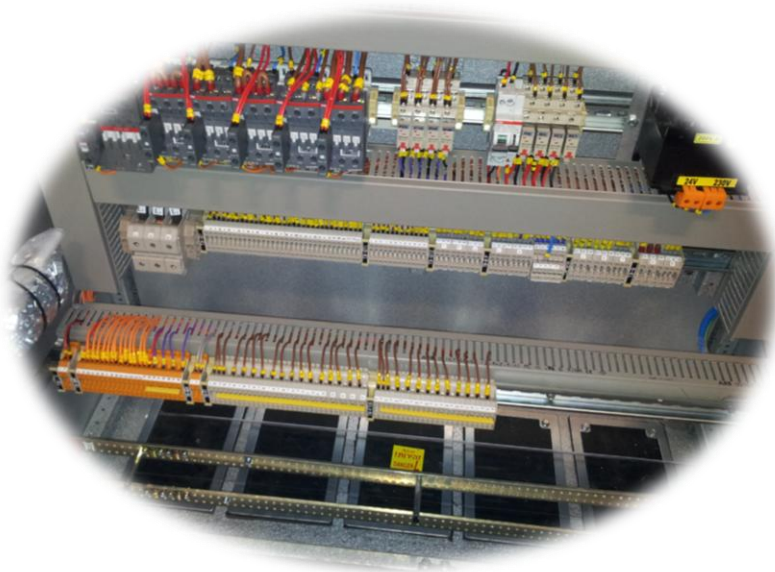
General Blind Back Plates for MCB's / Contactors / Disconnectors or control equipments.



Blind Plate	Cell W=								
	300	400	500	600	700	800	900	1000	1000
H (mm)									
80	11-01	11-08	11-15	11-22	11-29	11-36	11-43	11-50	11-57
150	11-02	11-09	11-16	11-23	11-30	11-37	11-44	11-51	11-58
200	11-03	11-10	11-17	11-24	11-31	11-38	11-45	11-52	11-59
250	11-04	11-11	11-18	11-25	11-32	11-39	11-46	11-53	11-60
300	11-05	11-12	11-19	11-26	11-33	11-40	11-47	11-54	11-61
350	11-06	11-13	11-20	11-27	11-34	11-41	11-48	11-55	11-62
420	11-07	11-14	11-21	11-28	11-35	11-42	11-49	11-56	11-63

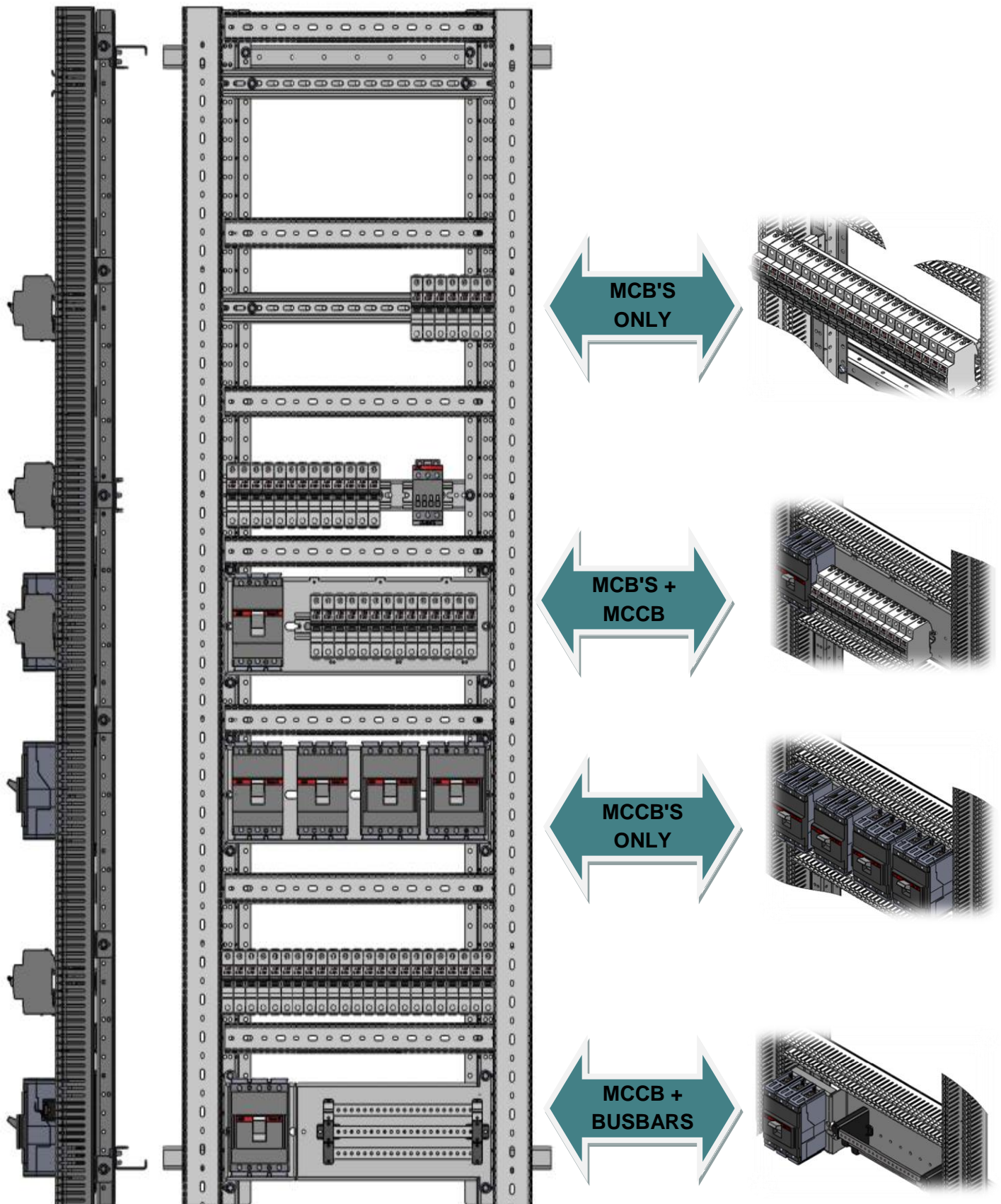
AFCON LVPT Distribution switchgears

MCB's Module FORM 1/2 segregation



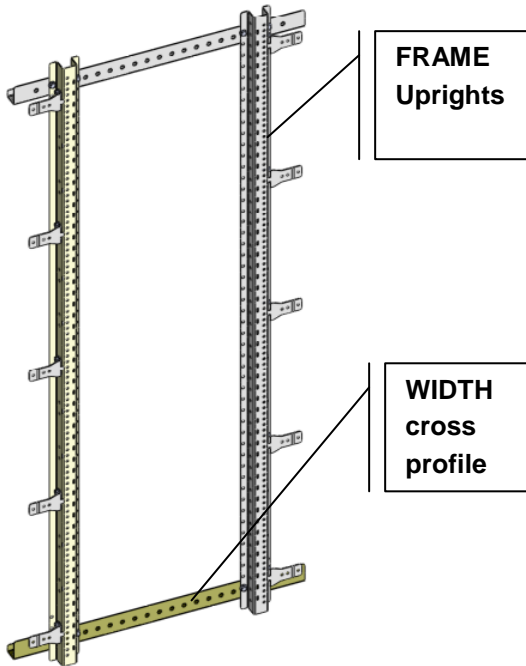
AFCON LVPT Distribution switchgears

MCB's Module FORM 1/2 segregation



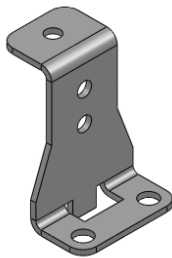
AFCON LVPT Distribution switchgears

MCB's Module Main Frame



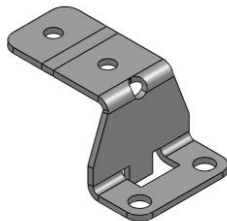
Description	H (mm)	item no'
Frame uprights	1400	60-01

Description	W (mm)	item no'
Width cross profile	400	60-02
	500	60-03
	600	60-04
	700	60-05
	800	60-06
	900	60-07
	1000	60-08



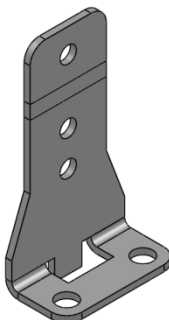
MCBS holder
60-10

Description	item no'
MCB's Holder	60-10



T1 -T2- holder
60-11

Description	item no'
MCCB T1-T2 Holder	60-11



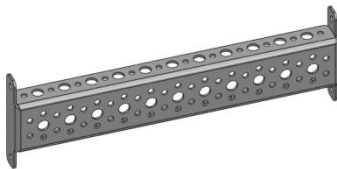
Description	item no'
Channel Holder	60-09

AFCON LVPT Distribution switchgears

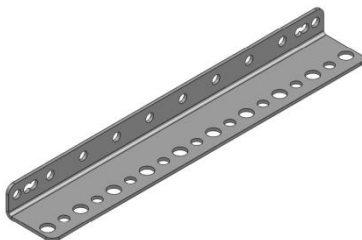
MCB's Module Main Frame



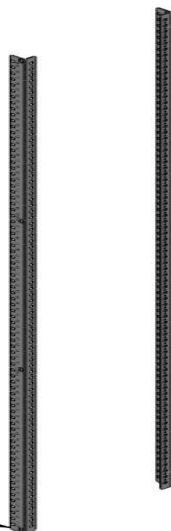
Description	W (mm)	item no'
Reinforced profile for DIN rail / wiring.	400	60-12
	500	60-13
	600	60-14
	700	60-15
	800	60-16
	900	60-17
	1000	60-18



Description	D (mm)	item no'
Reinforced Depth Cross bar.	300	60-19
	400	60-20
	500	60-21
	700	60-22
	900	60-23



Description	item no'
Terminals / General profile	60-24



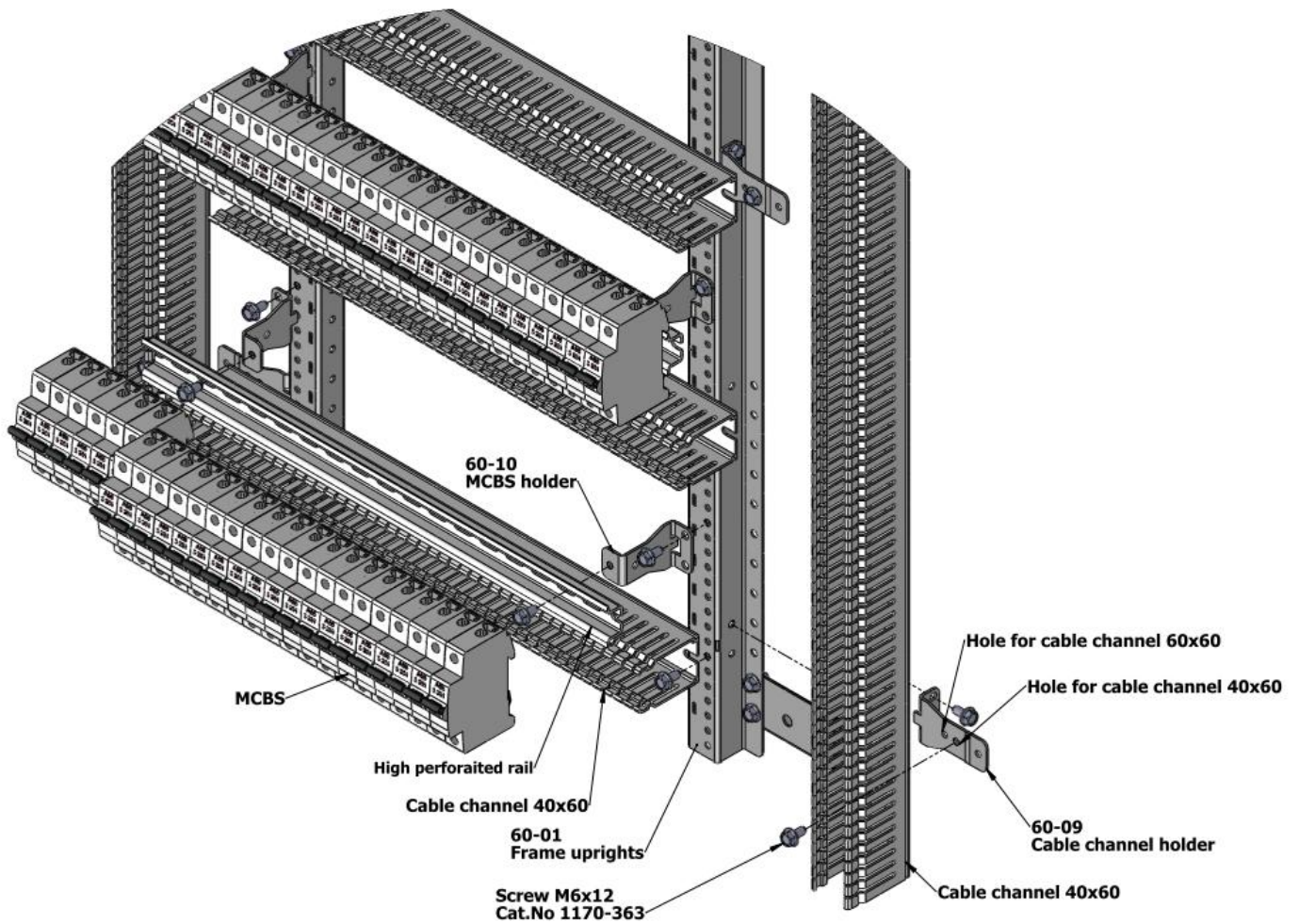
Panel profile

Description	item no'
Panel profile	60-25

AFCON LVPT Distribution switchgears

MCB's Module Main Frame

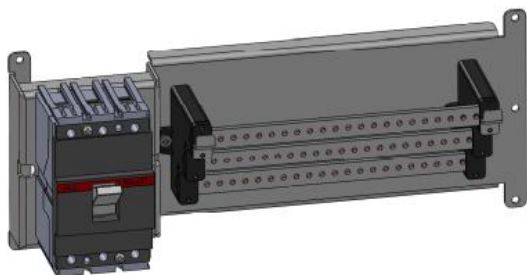
MCB's Assemble



AFCON LVPT Distribution switchgears

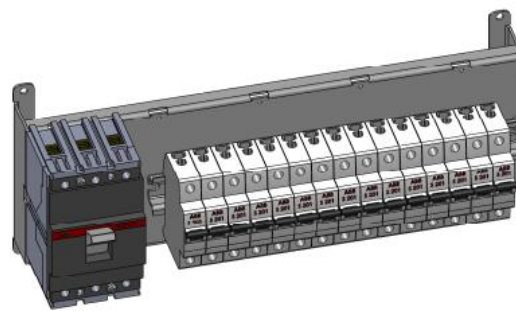
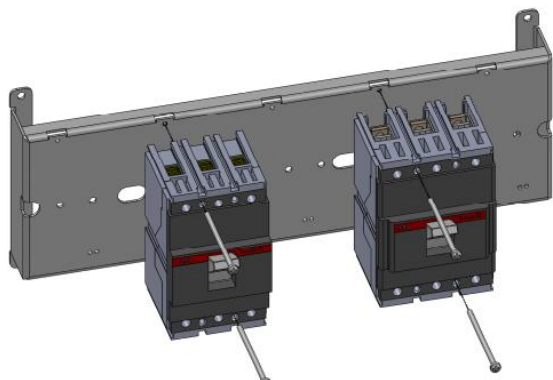
MCB's Module Accessories

MCCB Assemble



Description	W (mm)	item no'
Distribution plate	500	60-26
MCCB - T1 ;T2	600	60-27
	700	60-28
	800	60-29
	900	60-30
	1000	60-31

Description	W (mm)	item no'
Distribution plate	500	60-32
MCCB – T3 ; T4	600	60-33
	700	60-34
	800	60-35
	900	60-36
	1000	60-37



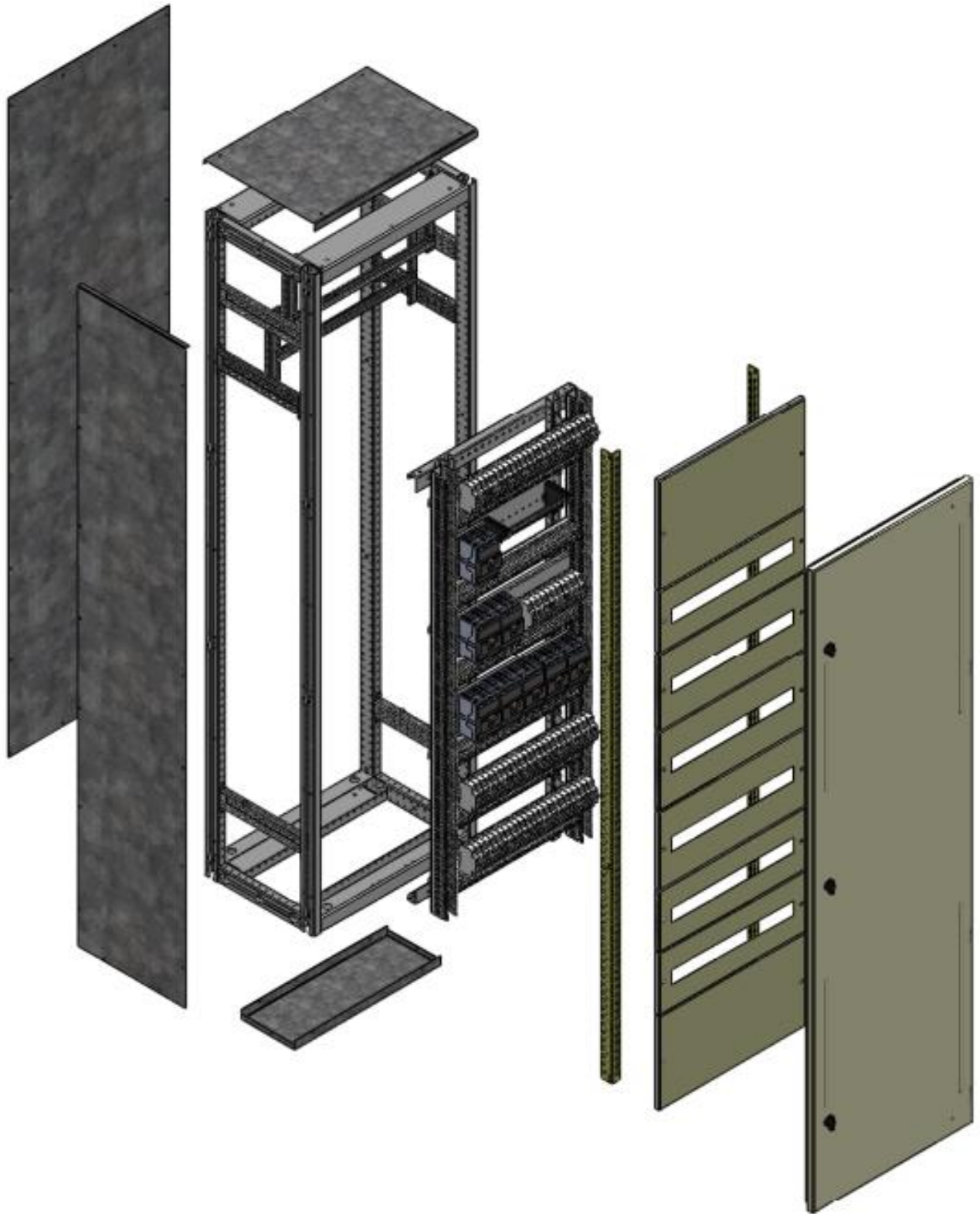
MCCB / MCCB+MCB's plates

C.B - 3P*	Back Plate	Cell 500		Cell 600		Cell 700		Cell 800	
Tmax	H (mm)	Item no'	Qty**	Item no'	Qty**	Item no'	Qty**	Item no'	Qty**
T1	155	60-38	3	60-39	4	60-40	5	60-41	6
T2	155	60-42	3	60-43	4	60-44	5	60-45	6
T3	200	60-46	2	60-47	3	60-48	4	60-49	5
T4	275	60-50	2	60-51	3	60-52	4	60-53	5

*Fixed CB ; **No' of CB on plate.

AFCON LVPT Distribution switchgears

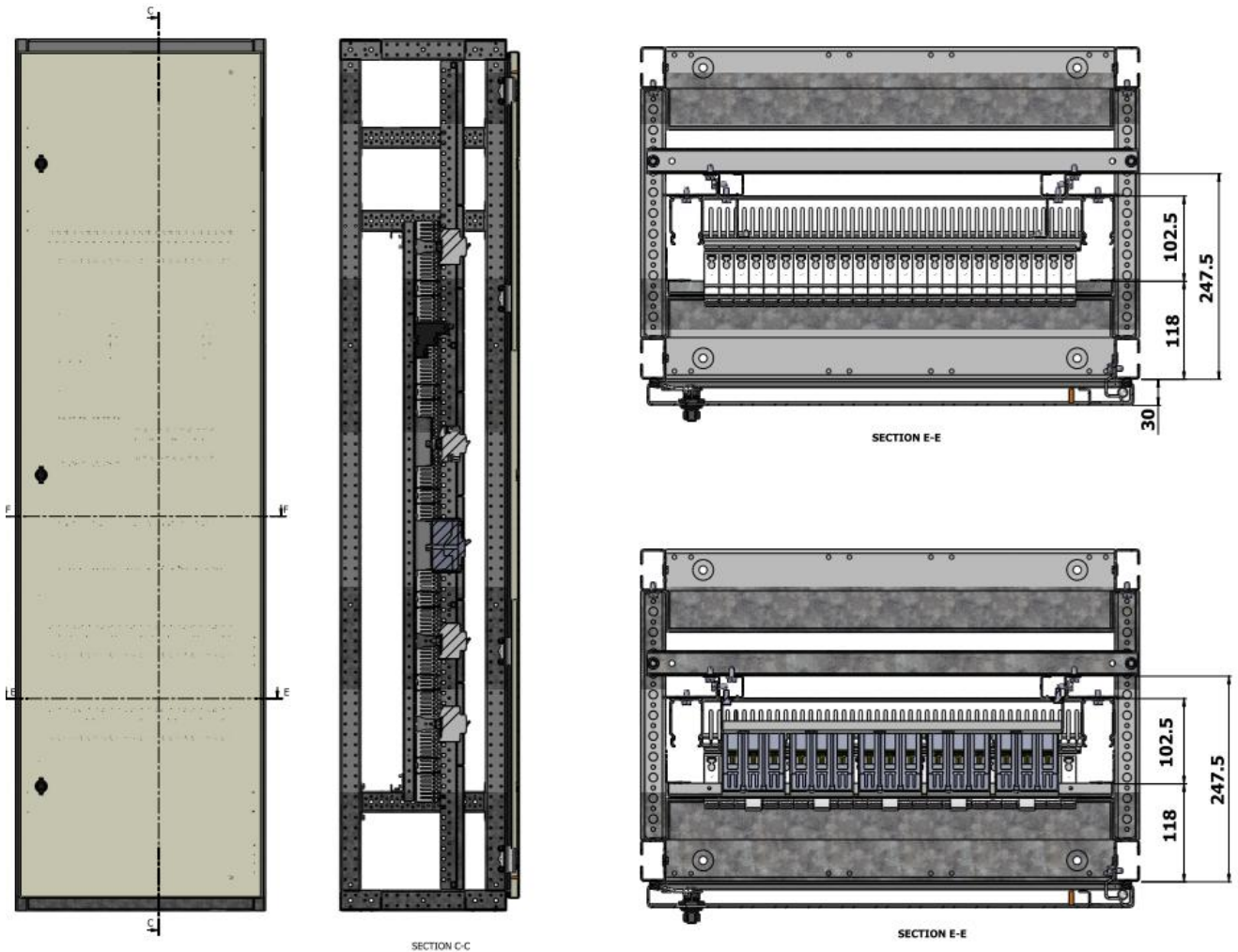
INTERNAL PANELS for MCB's Module



AFCON LVPT Distribution switchgears

INTERNAL PANELS for MCB's Module

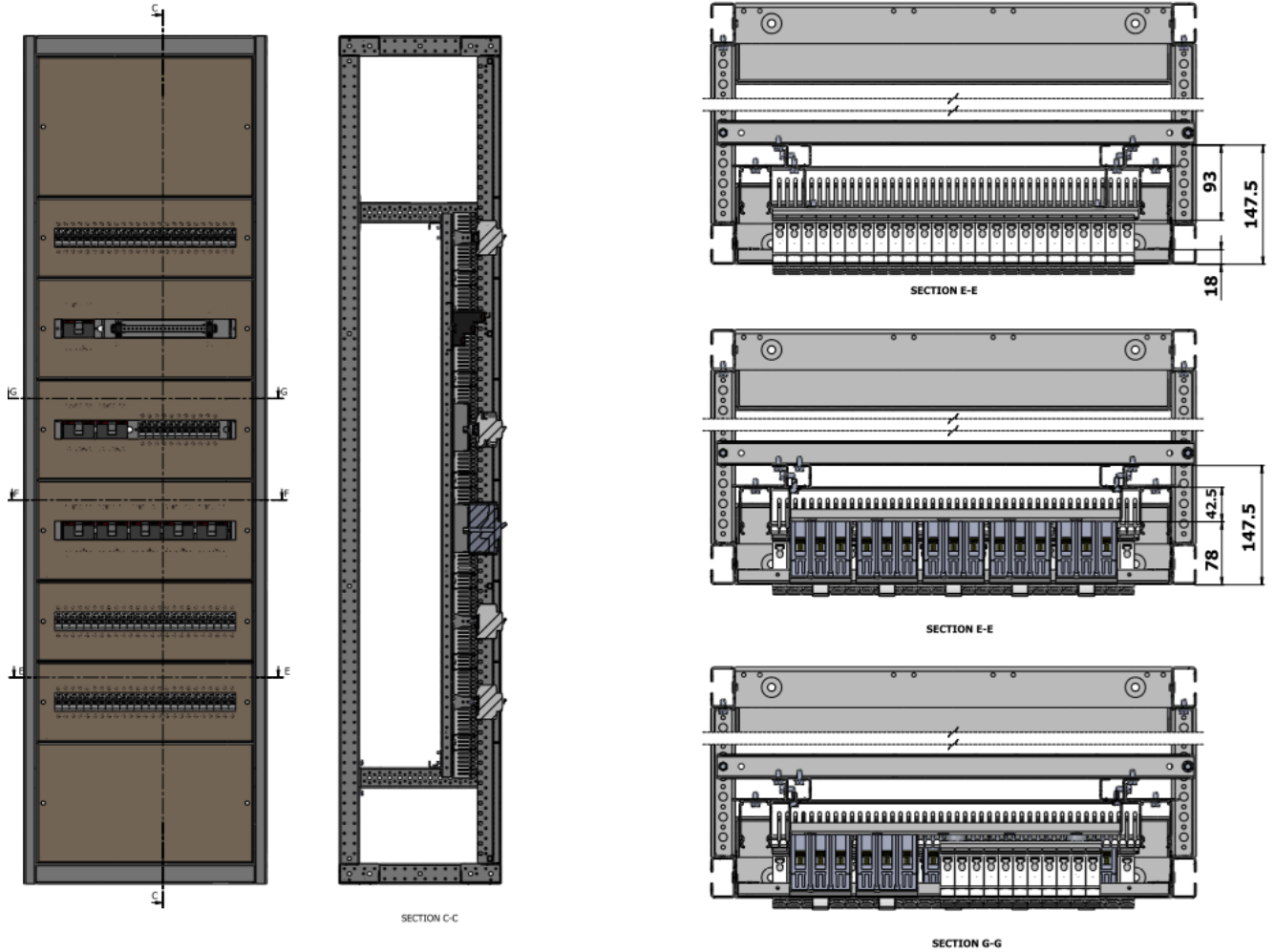
MCB's with Panels and Door- Dimensions of installation.



AFCON LVPT Distribution switchgears

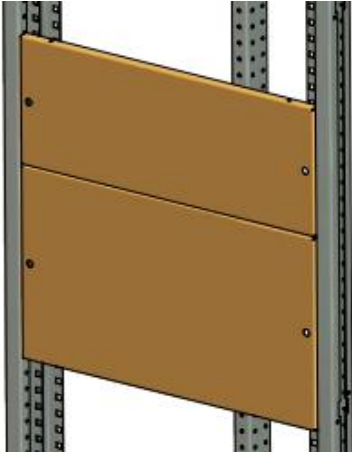
INTERNAL PANELS for MCB's Module

MCB's with Panels without Door - Dimensions of installation

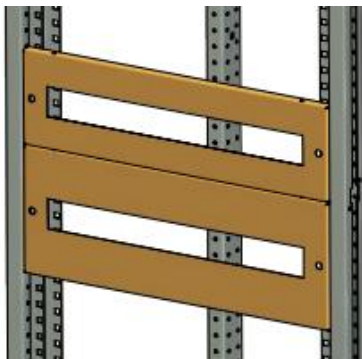


AFCON LVPT Distribution switchgears

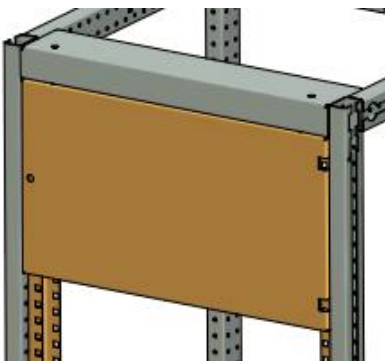
Selection of internal panels



Blind Panel	Cell 500	Cell 600	Cell 700	Cell 800
H (mm)	Item no'	Item no'	Item no'	Item no'
50	22-60	22-69	22-78	22-87
150	22-61	22-70	22-79	22-88
200	22-62	22-71	22-80	22-89
250	22-63	22-72	22-81	22-90
300	22-64	22-73	22-82	22-91
350	22-65	22-74	22-83	22-92
400	22-66	22-75	22-84	22-93
450	22-67	22-76	22-85	22-94
500	22-68	22-77	22-86	22-95



MCB's Panel	Cell 500	Cell 600	Cell 700	Cell 800
H (mm)	Item no'	Item no'	Item no'	Item no'
150	23-11	23-12	23-13	23-14
200	23-16	23-17	23-18	23-19

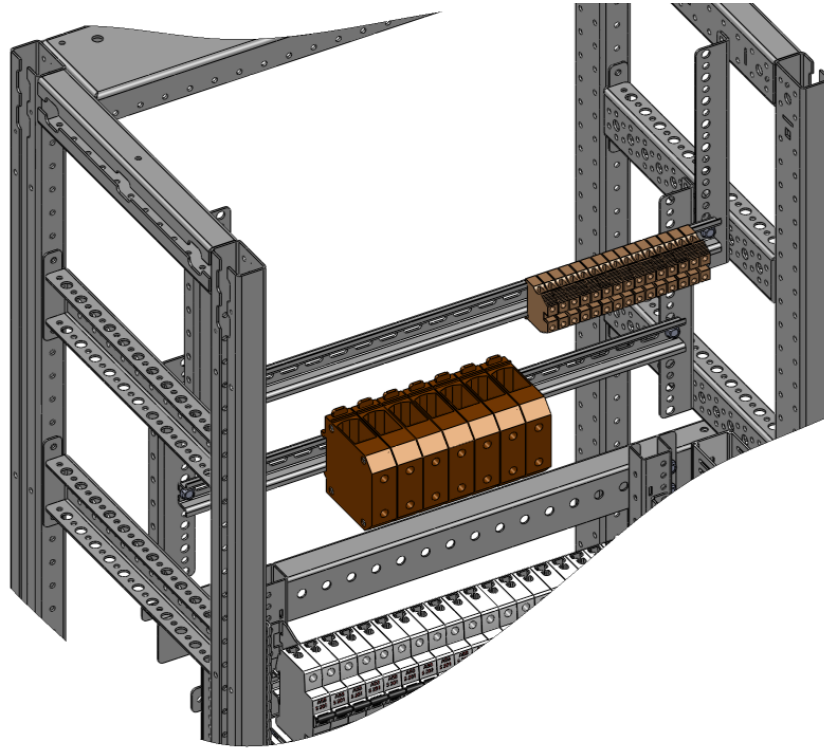


Hinge Panel	Cell 500	Cell 600	Cell 700	Cell 800
H (mm)	Item no'	Item no'	Item no'	Item no'
150	42-43	42-51	42-59	42-67
200	42-44	42-52	42-60	42-68
250	42-45	42-53	42-61	42-69
300	42-46	42-54	42-62	42-70
350	42-47	42-55	42-63	42-71
400	42-48	42-56	42-64	42-72
450	42-49	42-57	42-65	42-73
500	42-50	42-58	42-66	42-74

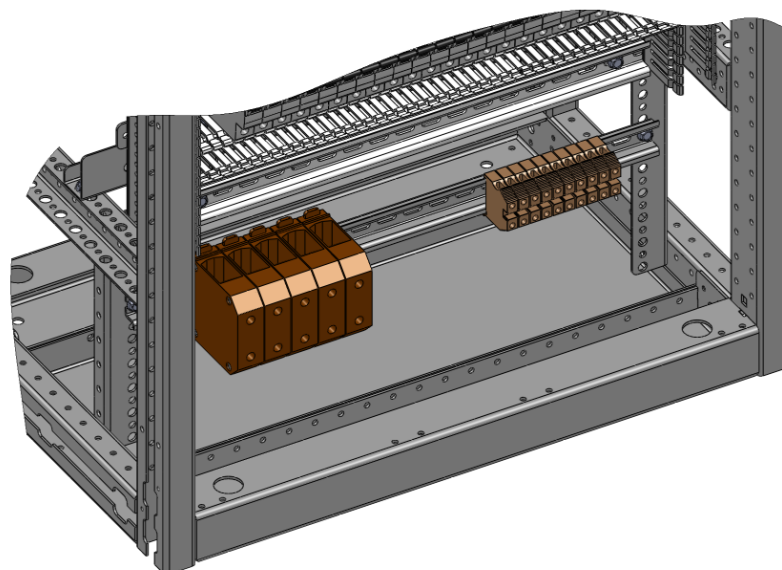
AFCON LVPT Distribution switchgears

Terminal blocks Arrangement

Top mounting

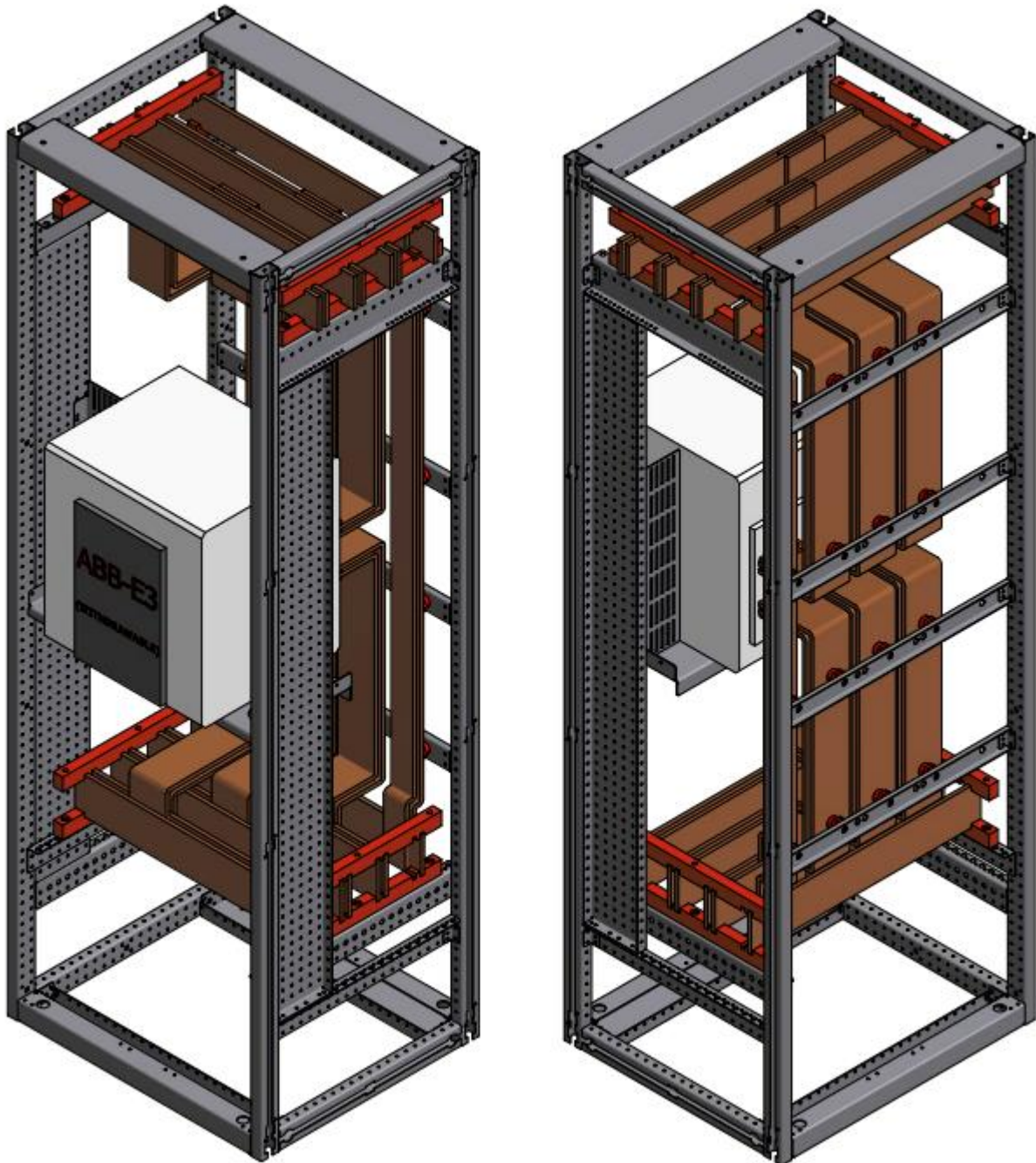


Bottom mounting



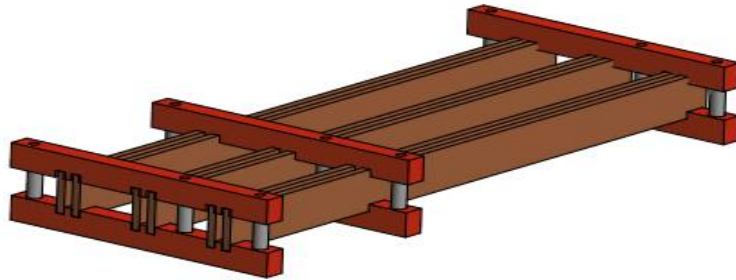
AFCON LVPT Distribution switchgears

Busbars Arrangement



AFCON LVPT Distribution switchgears

MAIN Horizontal busbars



Distance between Main Horizontal Busbars supports

Icw 1 sec	Distance between supports	25KA		35KA		50KA		65KA		75KA	
		X1 (1)	X2 (2)	X1 (1)	X2 (2)	X1 (1)	X2 (2)	X1 (1)	X2 (2)	X1 (1)	X2 (2)
Flat busbar CU	In up to										
50x10	1000A	800	800	800	600	500	400				
60x10	1250A	900	900	900	600	750	500				
80x10	1600A	900	900	900	750	850	600				
2(60x10)	2000A	900	900	900	600	750	450	600	420	600	420
2(80x10)	2500A	900	900	800	750	850	520	700	420	700	420
2(100x10)	3200A	900	900	900	750	850	520		400		400
"C" busbar 4mm	1250A		750		500		500				
"C" busbar 2mm	800A		750		500		500				

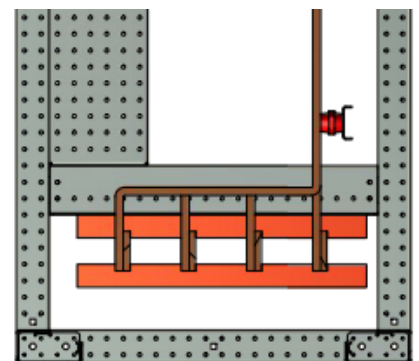
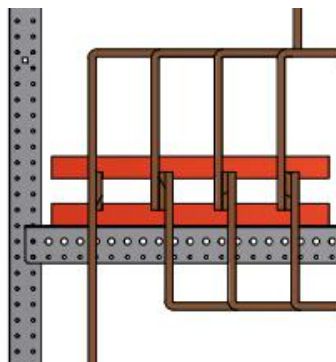
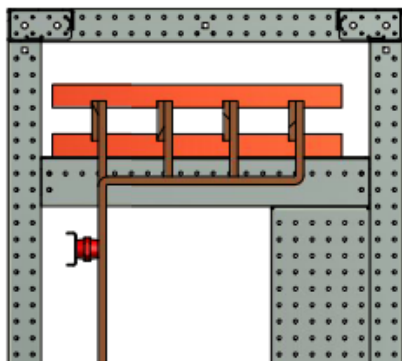
(1) 'X1' - Max Distance (mm) with respect to connection between busbars supports and breaker such as ACB.
 (2) 'X2' - Max Distance (mm) without any connections between the busbars supports.

Assemble options

TOP

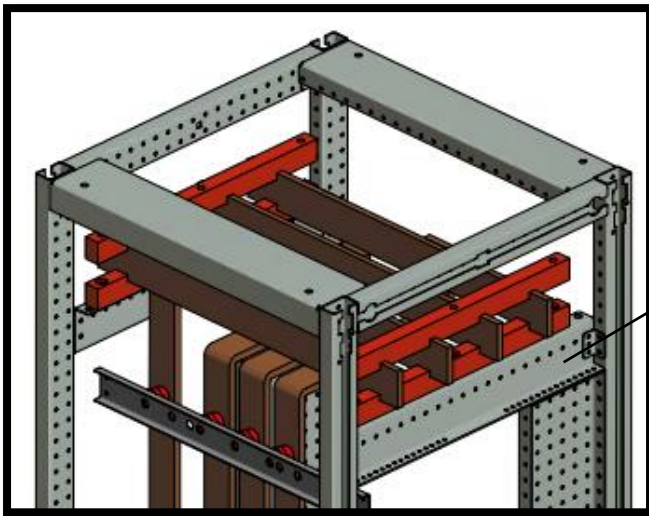
Middle / Any Level

Bottom

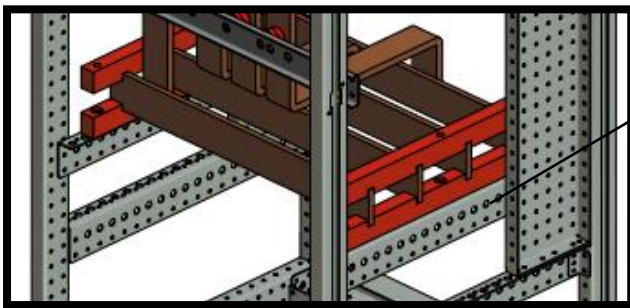


AFCON LVPT Distribution switchgears

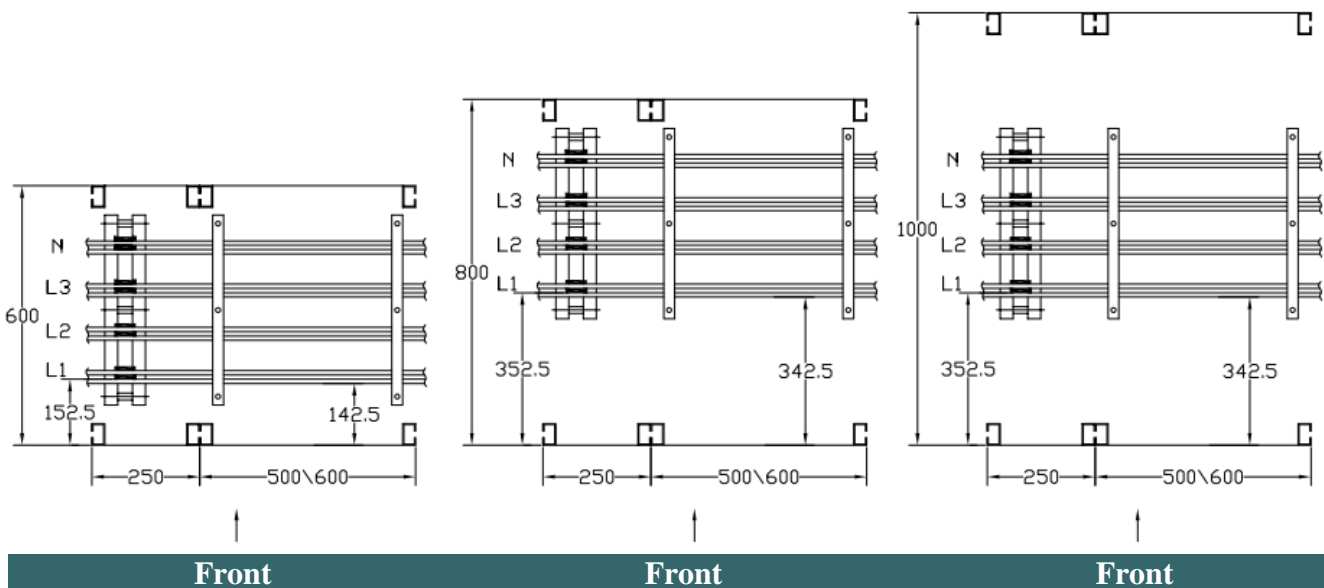
Fixing the MAIN Horizontal busbars



Option A:
 'Z' profile 14-xx + Fixing Bracket
 27-01

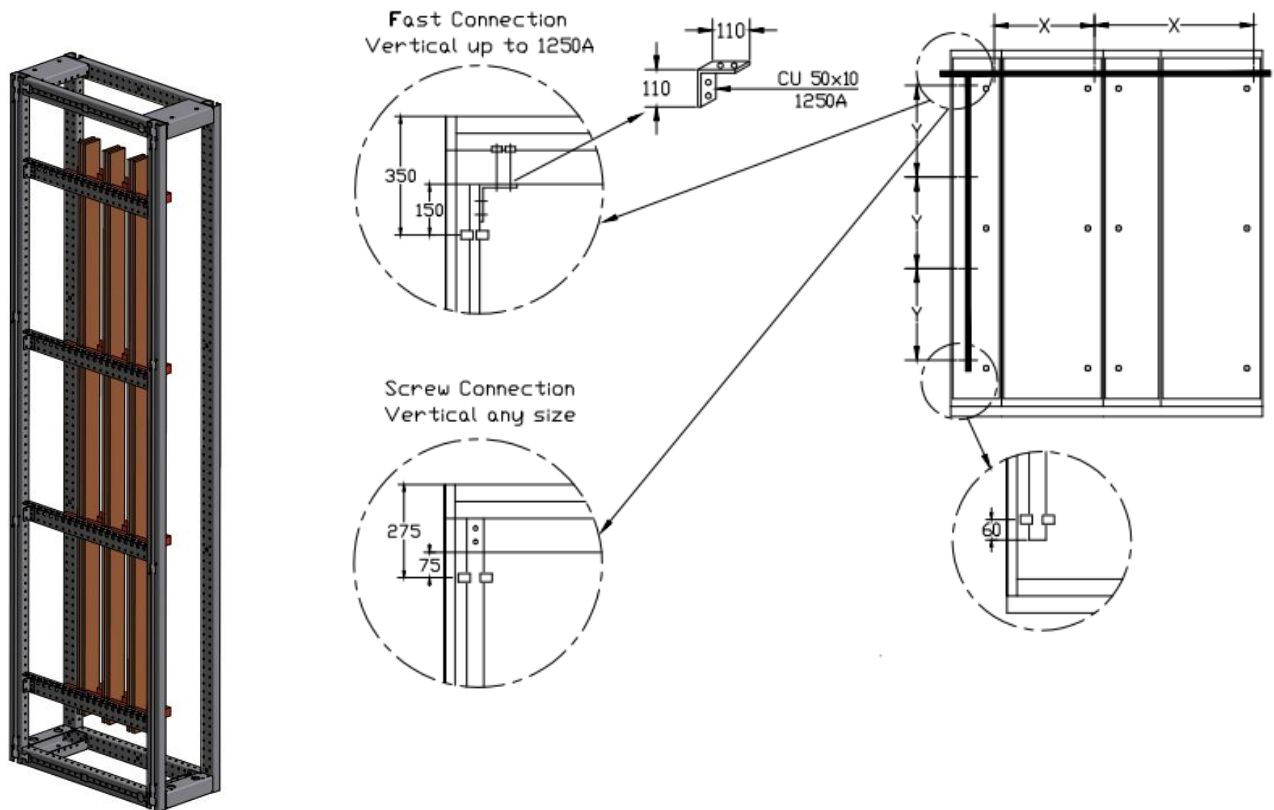


Option B:
 'L' profile 10-xx Direct mounting or +
 Fixing Bracket 10-01



AFCON LVPT Distribution switchgears

Vertical Distribution busbars



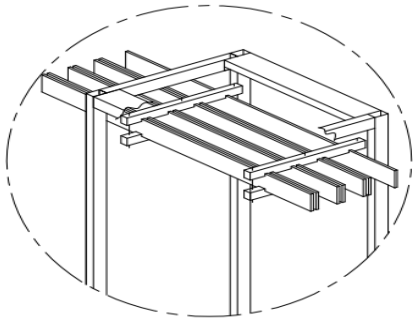
Distance between Distribution Vertical Busbars supports

Icw 1 sec		25KA		35KA		50KA		65KA		75KA		
		no' (1)	Y (2)	no' (1)	Y (2)	no' (1)	Y (2)	no' (1)	Y (2)	no' (1)	Y (2)	
Distance between supports												
Flat busbar CU		In up to										
	2(30x10)	1250A	3 (3)	750	4 (3)	500	5 (3)	400				
	2(40x10)	1600A	3 (3)	750	4	500	5 (3)	400	6 (3)	330		
	2(50x10)	2000A	3	750	4	600	4 (3)	500	5 (3)	400	5	400
	2(60x10)	2200A	3	750	4	600	4 (3)	500	5 (3)	400	5	400
	2(80x10)	2500A	3	750	3	750	4	500	4	500	5	400
"C" busbar 4mm		1250A										
	Linear		3	750	4	600	4	500		500		400
	Scaled		4	500	5	400	5+H	400		400		
"C" busbar 2mm		800A										
	Linear		3	750	4	600	4	500		500		400
	Scaled		4	500	5	400	5+H	400		400		

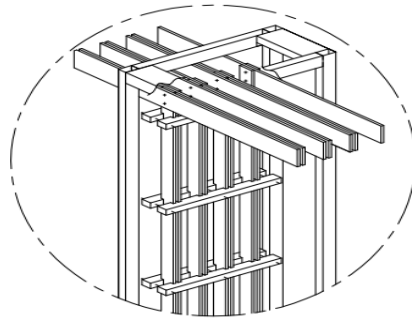
(1) no' - Nubmer of busbars supports.
 (2) 'Y' - Max Distance (mm) without any connections between the busbars supports.
 (3) If a connection is missing, add Cat no' 7413-329 between the two supports
 H - Add reinforcement plate -Cat no' 1810-498.

AFCON LVPT Distribution switchgears

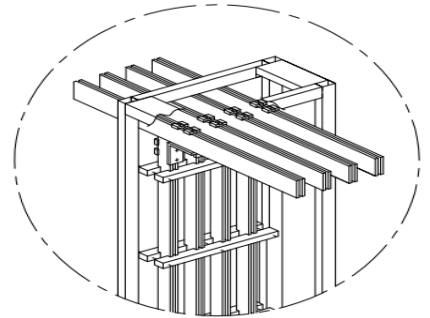
Vertical Distribution busbars - Connection options



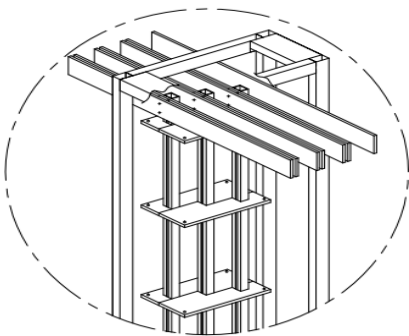
Horizontal Flat



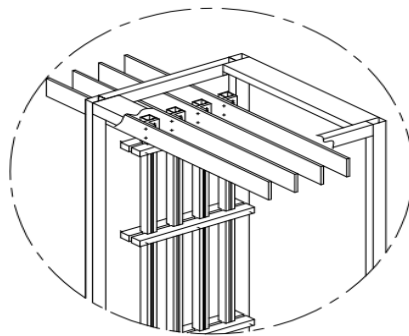
Horizontal Flat to Vertical Flat –
Screw connection



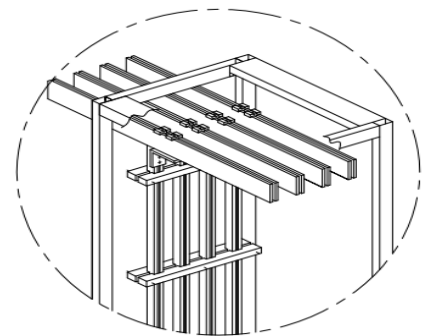
Horizontal Flat to Vertical Flat –
Fast (clamp) connection



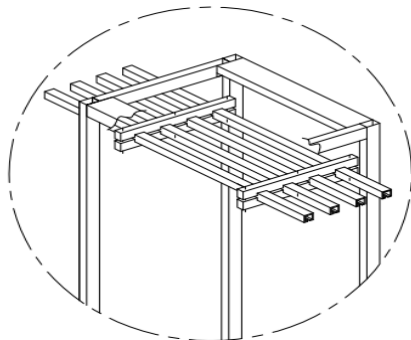
Horizontal Flat to Vertical Scaled "C" –
screw connection



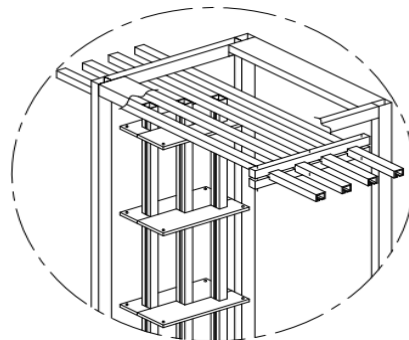
Horizontal Flat to Vertical Linear "C" –
screw connection



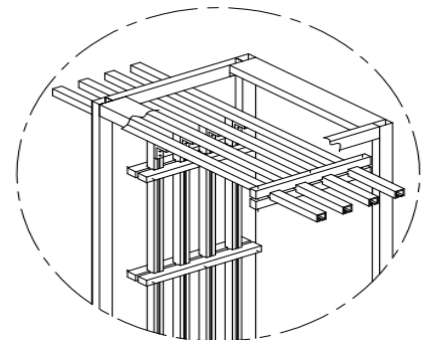
Horizontal Flat to Vertical Linear "C" –
Fast (clamp) connection



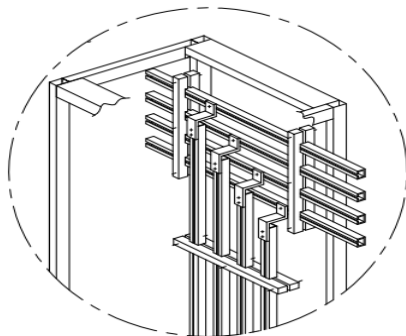
Horizontal Linear "C"



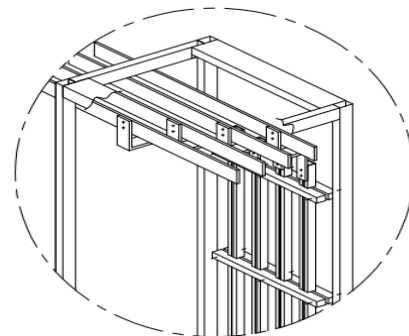
Horizontal Linear "C" to Vertical Scaled "C"
– screw connection



Horizontal Linear "C" to Vertical
Linear "C" – Fast (clamp) connection



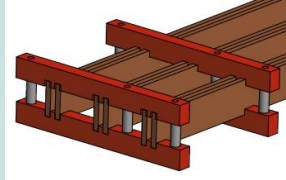

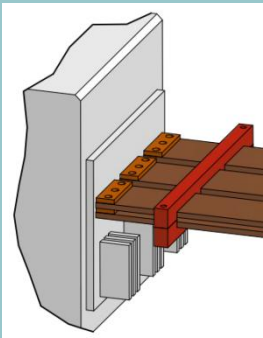
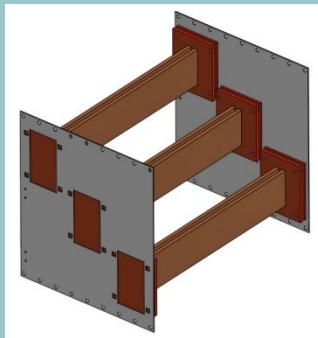
Horizontal Linear "C" to Vertical Linear "C"
Back/Back –
screw connection



Horizontal Linear "C" to Vertical Linear "C"
Top/Back –
screw connection

AFCON LVPT Distribution switchgears

Flat Busbar Supports (Insulators)

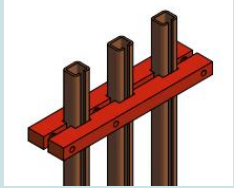
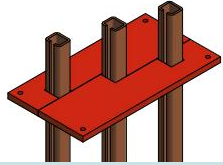
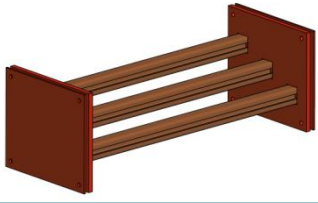
Item no'	B.B. Type	Installation type	Busbar per phase	No' of pole	Length	D.B.P ⁽¹⁾	Fig
					L (mm)	D (mm)	
35-01	Flat	vertical	2	4	440	100	
35-02	Flat	Vertical	1	4	440	100	
35-03	Flat	vertical	2	3	340	100	
35-04	Flat	vertical	1	3	340	100	
35-13	Flat	Vertical 3*100*10 cu	3	3	632	E3-3200 65KA	
35-14	Flat	Horizontal	2	3	450	E3-2500	
35-15	Flat	Horizontal	3	3	450	E3-3200	
51-xx	Scaled	Vertical	1-2	3-4		Any CB	

(1) - D.B.P=Distance Between Phases

- The Item no' of supports refer to one side of support, for each point order two pcs.

AFCON LVPT Distribution switchgears

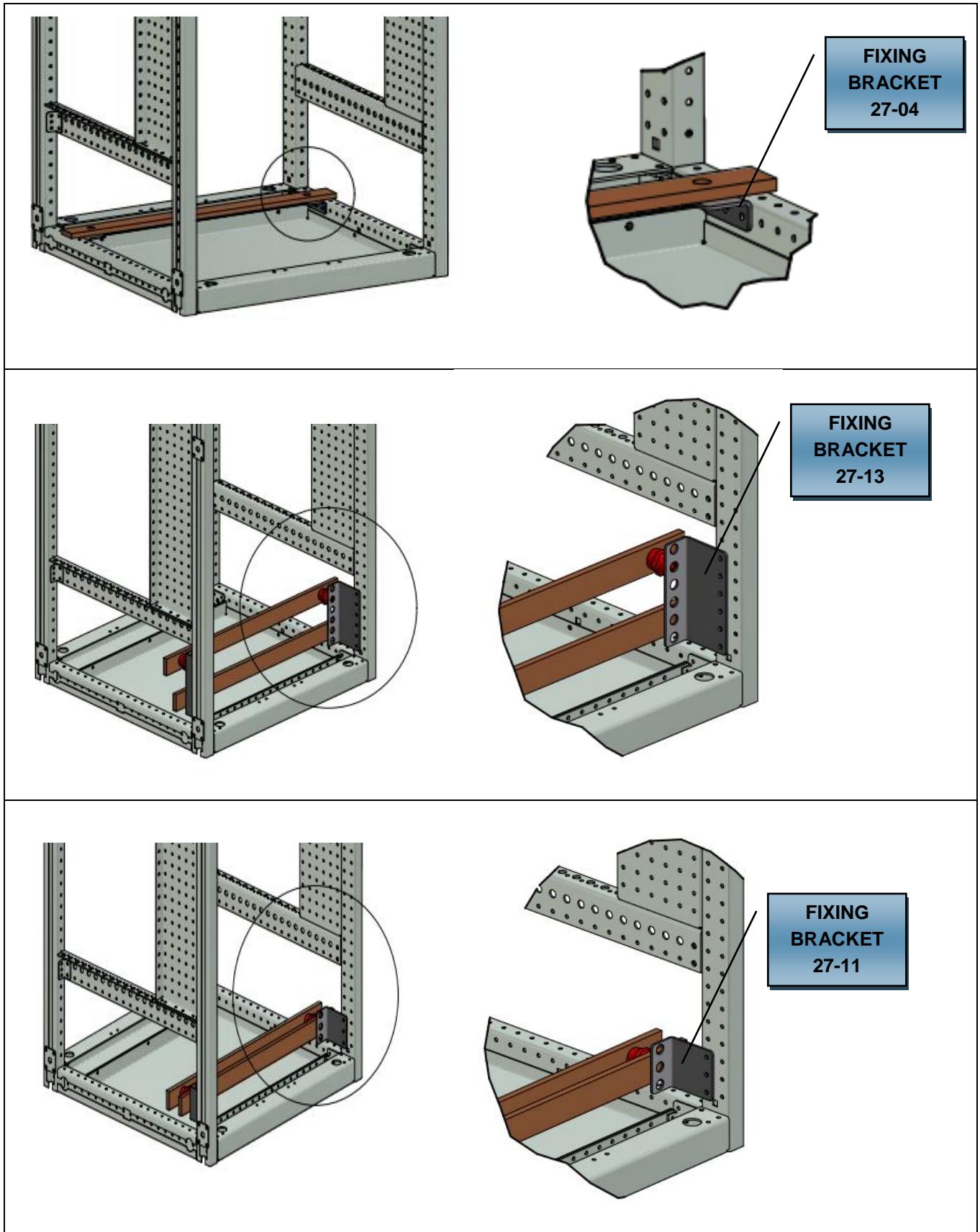
"C" Busbar Suports (Insulators)

Item no'	B.B. Type	Installation type	Busbar per phase	No' of pole	Length	D.B.P (1)	Fig
					L (mm)	D (mm)	
35-05	"C" Linear	vertical/Horizontal	1	4	440	100	
35-10	"C" Linear	vertical/Horizontal	1	3	340	100	
35-07	"C" Scaled	vertical/Horizontal	1	3	WxHxD= 330x107x1 2	100x35	
35-06	"C" Scaled	Vertical/Horizontal	1	3	WxHxD= 230x205x1 0	72.5x35	
35-09	Stopper				WxHxD= 230x205x4	-	

(1) - D.B.P=Distance Between Phases

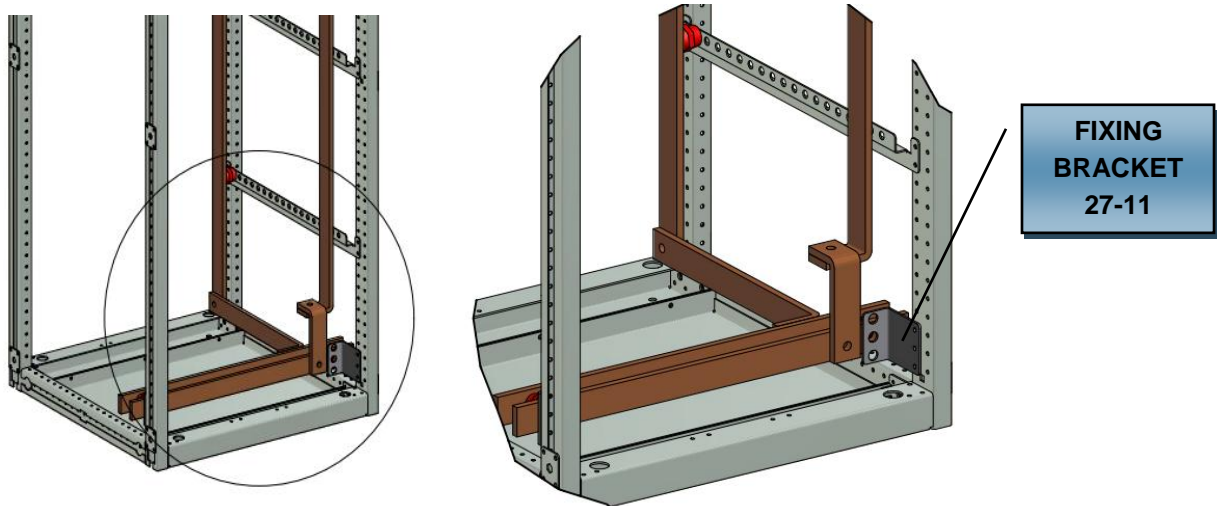
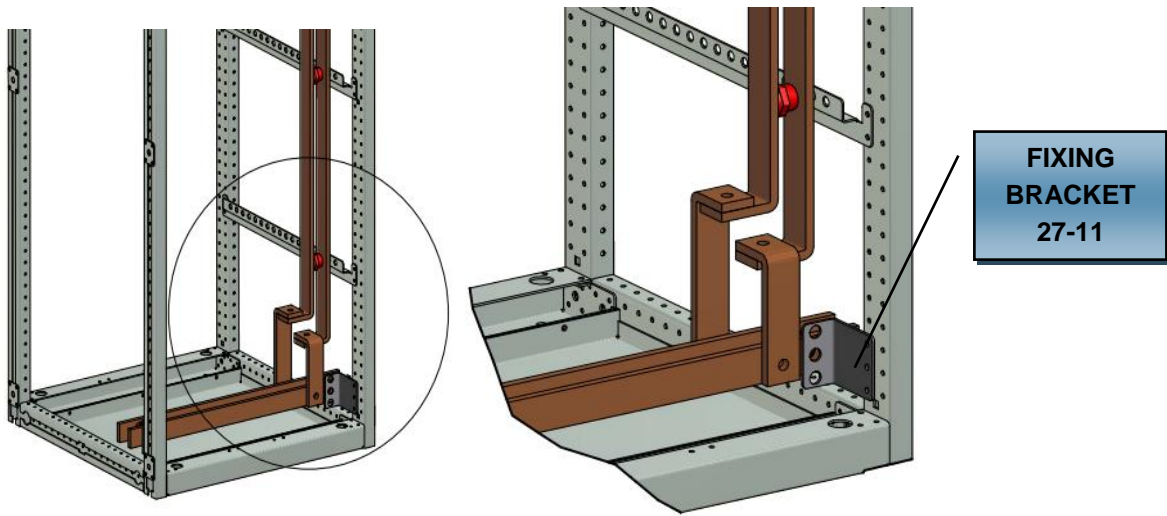
AFCON LVPT Distribution switchgears

Main 'PE' / 'N' BusBar assemble up to 75KA



AFCON LVPT Distribution switchgears

Distribution 'PE' / 'N' Busbars assemble up to 75KA

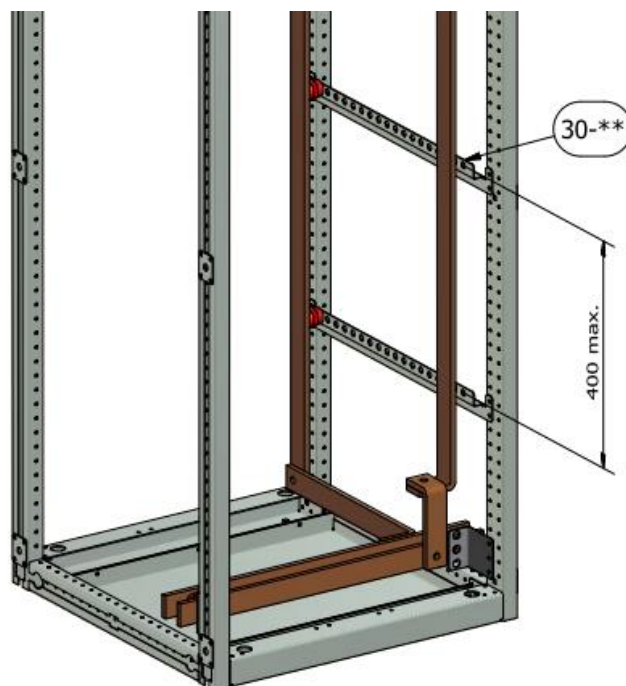


AFCON LVPT Distribution switchgears

'PE' / 'N' Busbars selection

Assembly In up to (A)	Assembly lk up to (KA)	"N" Busbar	"PE" Busbar	Distance between fixing brackets max (mm)	Fixing Bracket	Insulator for 'N' busbar
1250A	35 KA	40*10 Cu	40*5 Cu	800	27-11 or 27-13	12mm 1810-466
1600A	50 KA	40*10 Cu	50*5 Cu	600	27-11 or 27-13	12mm 1810-466
2000A	65 KA	60*10 Cu	40*10 Cu	800	27-11 or 27-13	12mm 1810-466
2500A	75 KA	2*40*10 Cu	40*10 Cu	700	27-11 or 27-13	12mm 1810-466
2500A	75 KA	80*10 Cu	40*10 Cu	700	27-11 or 27-13	12mm 1810-466
3200A	75 KA	2*50*10 Cu	50*10 Cu	800	27-11 or 27-13	12mm 1810-466
3200A	75 KA	100*10 Cu	50*10 Cu	800	27-11 or 27-13	12mm 1810-466
3200A	100 KA	2*50*10 Cu	50*10 Cu	600	27-11 or 27-13	12mm 1810-466
3200A	100 KA	100*10 Cu	50*10 Cu	600	27-11 or 27-13	12mm 1810-466

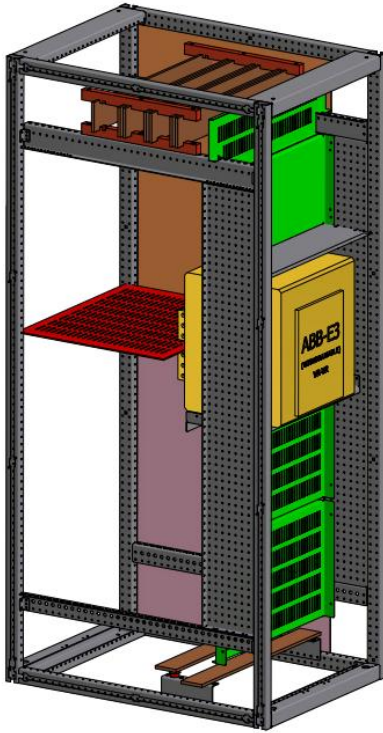
- Fixing the bracket to construction by M6X10 DIN 7500M HEXAGON HEAD screw – 7712-638
- Fixing the Busbar to bracket by suitable DIN 933 screw according to DIN 43673 standard.
- Fixing the 'N' busbars to Insulators 12mm (1810-466) by M12 DIN933 screw.
- Fixing Vertical 'N' & 'PE' busbars inside cable container by cable Tethering Profile **30-xx**.



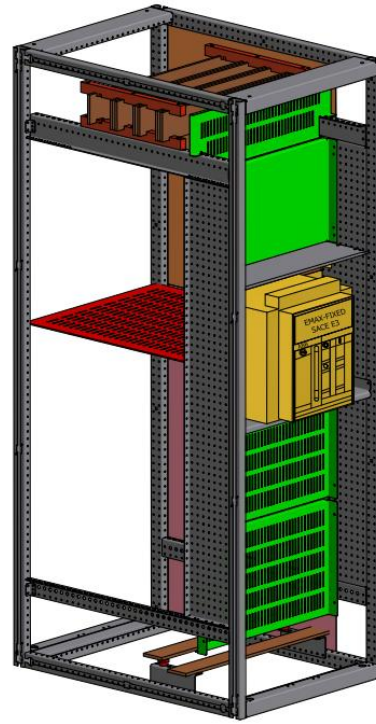
AFCON LVPT Distribution switchgears

ACB's FORM 3/4 segregation

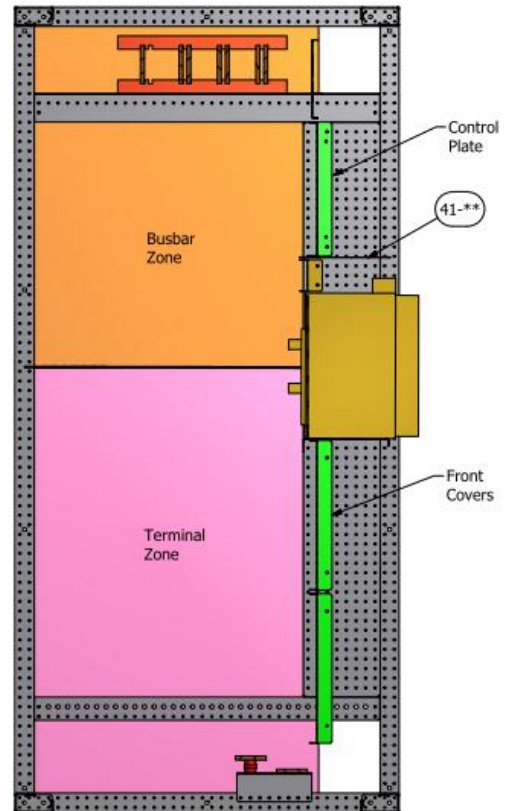
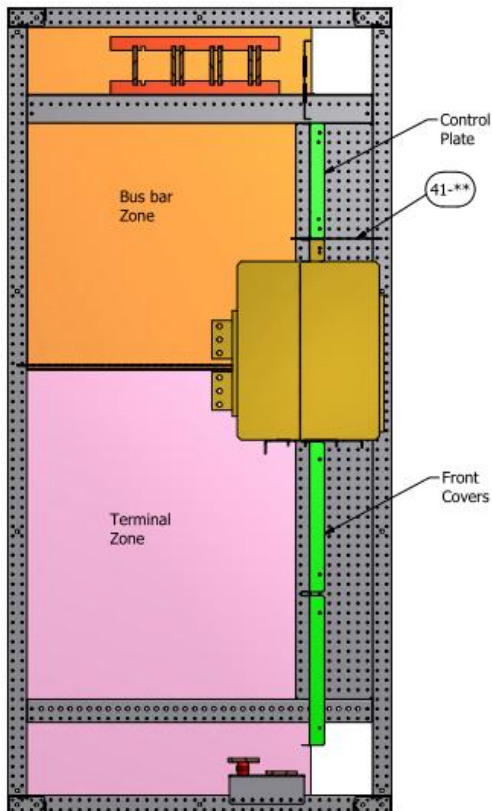
ACB's Cabinets with Form 3/4 segregation.



Withdrawable ACB

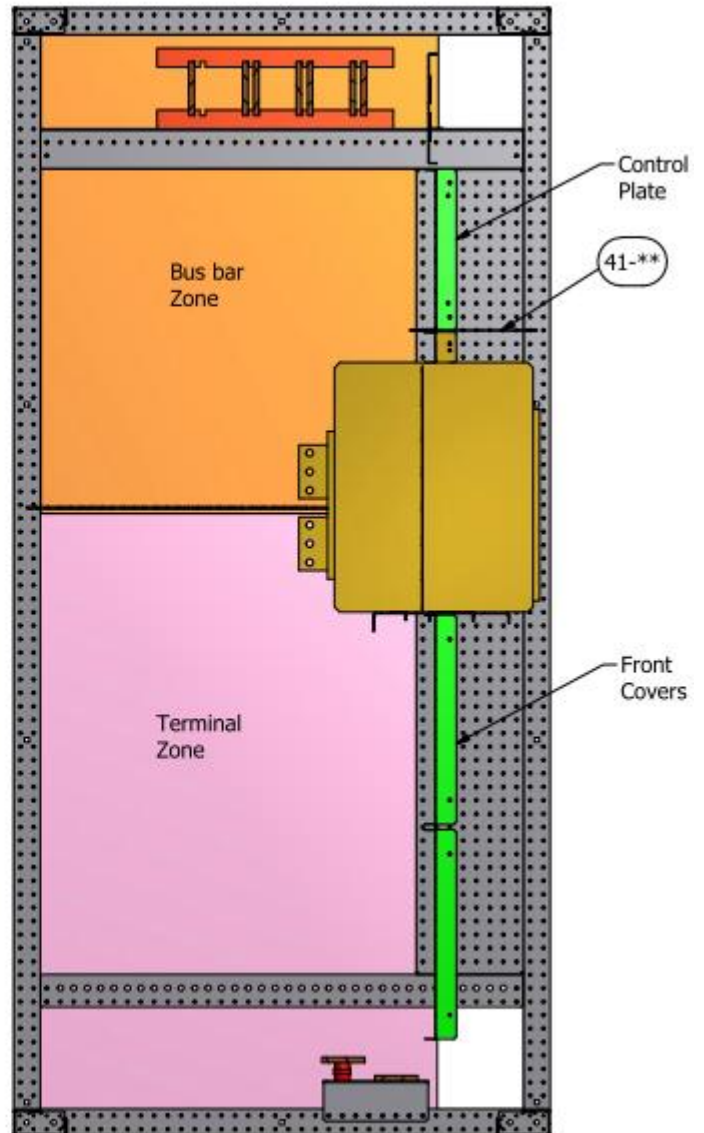
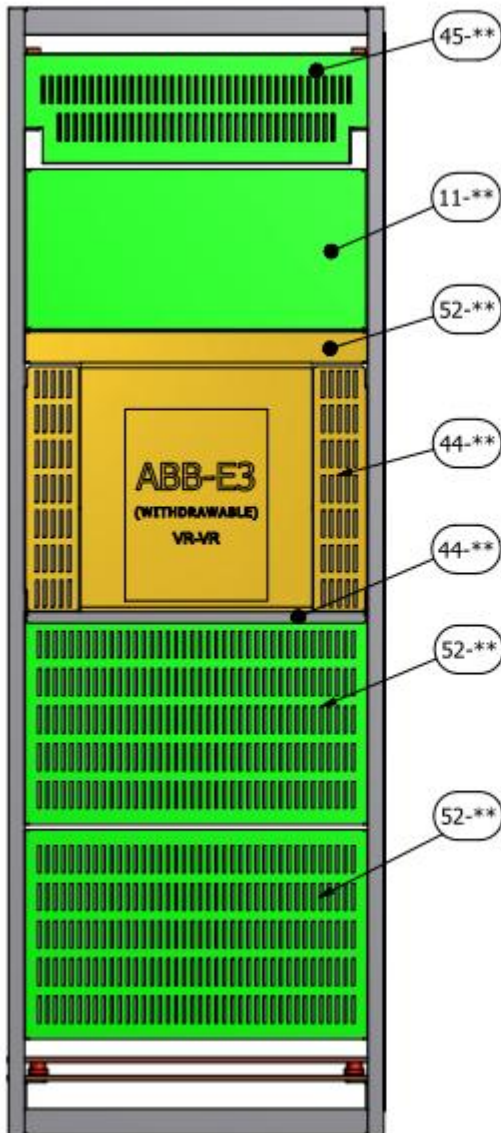


Fixed ACB



AFCON LVPT Distribution switchgears

ACB's FORM 3/4 segregation



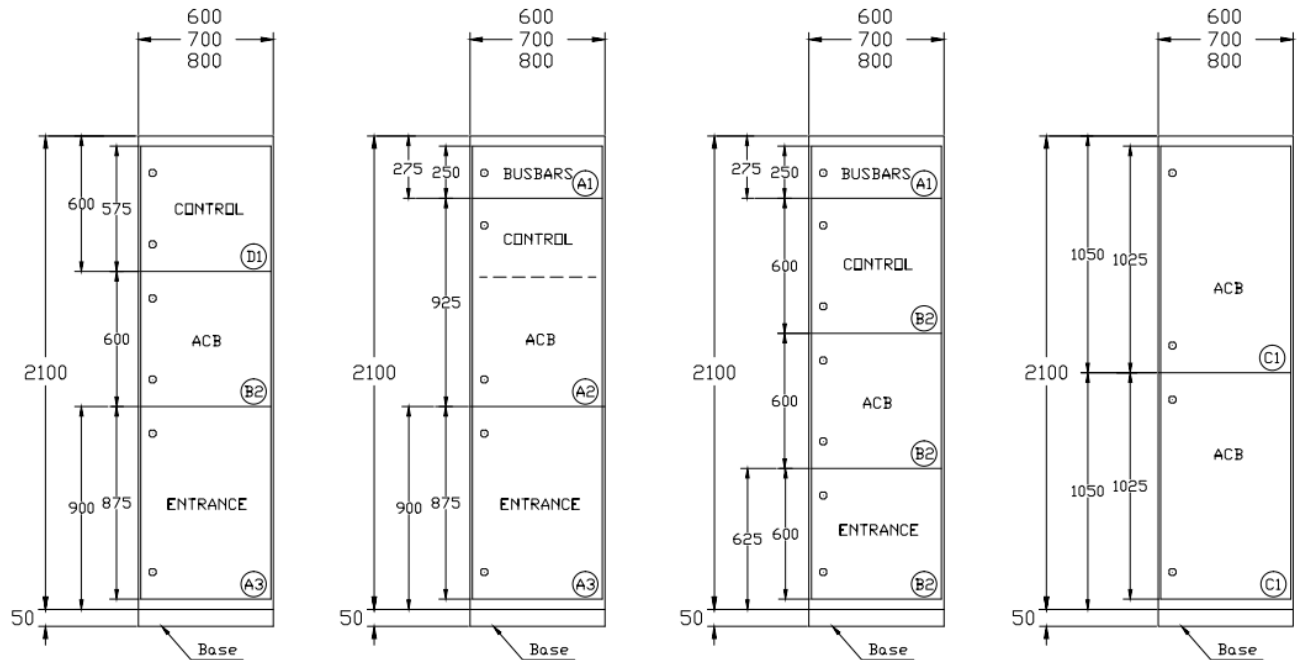
ACB mounting plate

Description	item no'
Blank Plate	11-xx
Horizontal sealed partition	41-xx
Busbars front cover	45-xx
ACB mounting plate	44-xx
ACB side cover	44-xx
ACB top cover	52-xx
Front cover	52-xx
Rear horizontal partition – insulated GPO-3	53-xx

AFCON LVPT Distribution switchgears

ACB's FORM 3/4 segregation

ACB's Cabinets – Optional Doors Arrangement .



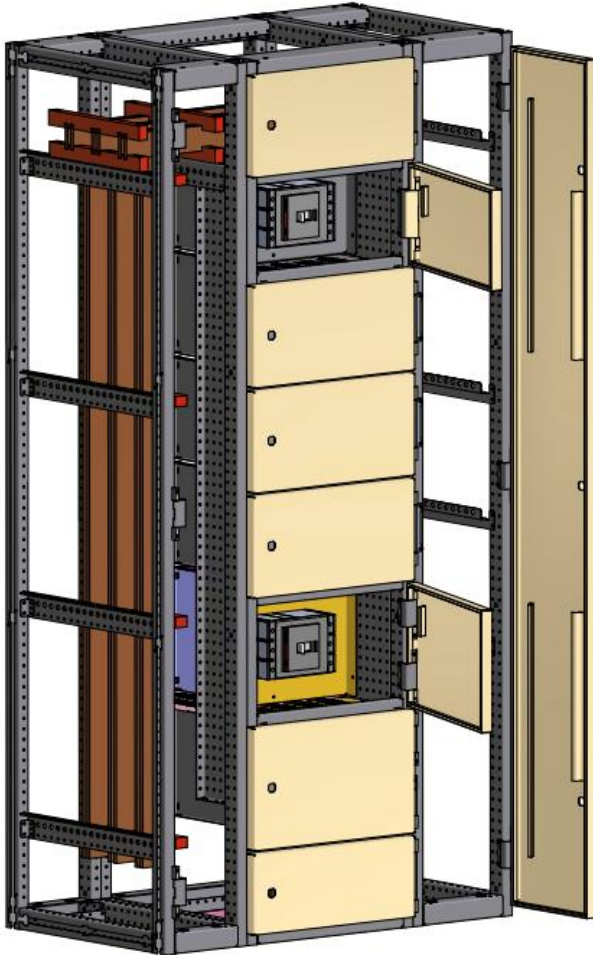
Incoming /outgoing ACB cabinets

Breaker type	Cell width	Cell depth	Cell depth	Cell depth
	(mm)	600	800	1000
E2-1600	600	✓	✓	✓
	700	✓	✓	✓
	800	✓	✓	✓
E2-2000	600	✓	✓	✓
	700	✓	✓	✓
	800	✓	✓	✓
E3-2500	700	✓	✓	✓
	800	✓	✓	✓
E3-3200	700			✓
	800			✓

AFCON LVPT Distribution switchgears

MCCB's FORM 3/4 segregation

MCCB's Cabinets with Form 3/4 segregations – divided doors.

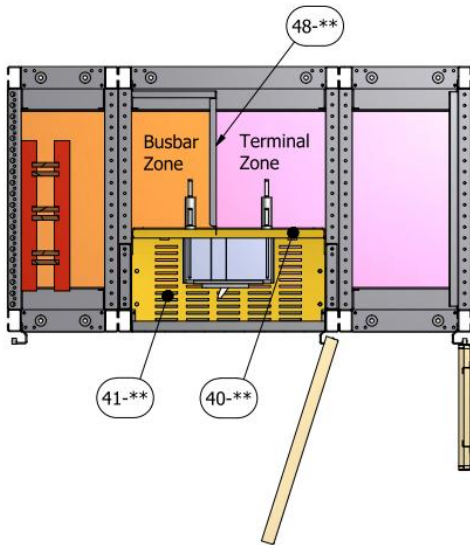


C.B - 3P*	Blind Door	Cell 500	Cell 600
Tmax	H (mm)	Item no'	Item no'
T1**	200	09-22	09-29
T2	200	09-22	09-29
T3	200	09-22	09-29
T4	200	09-22	09-29
T4	250	09-23	09-30
T5 - 400	250	09-23	09-30
T5 - 630	300	09-24	09-31
T6 - 630	350	09-25	09-32
T6 - 800	400	09-65	09-66
T6-800 / T7 *	500	09-26	09-33
Busbar door TOP	250	09-23	09-30
(*) T6 / T7 Vertical.			

AFCON LVPT Distribution switchgears

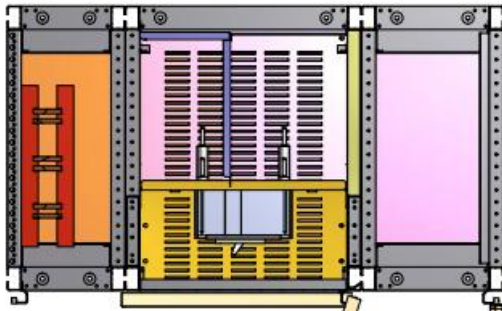
FORM 3/4 segregation

Separate Busbars Cabinet, Depth from 600mm to 1000mm (3p/4p)



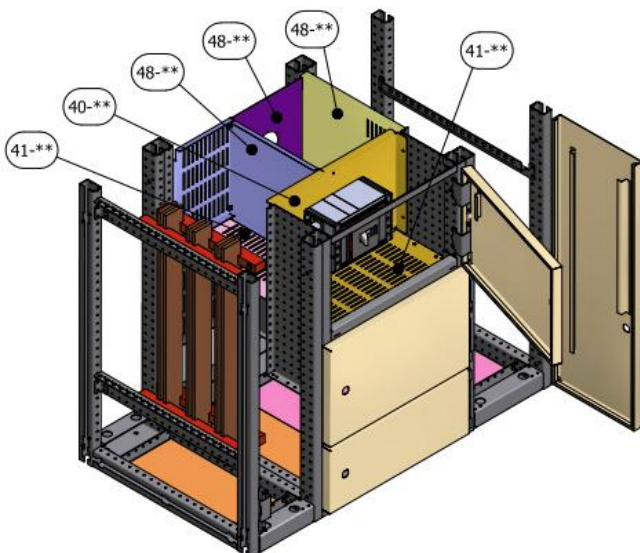
Form 3

Description	item no'
MCCB Back plate	40-xx
Horizontal partition 3B	41-xx
Busbar separation	48-xx



Form 4

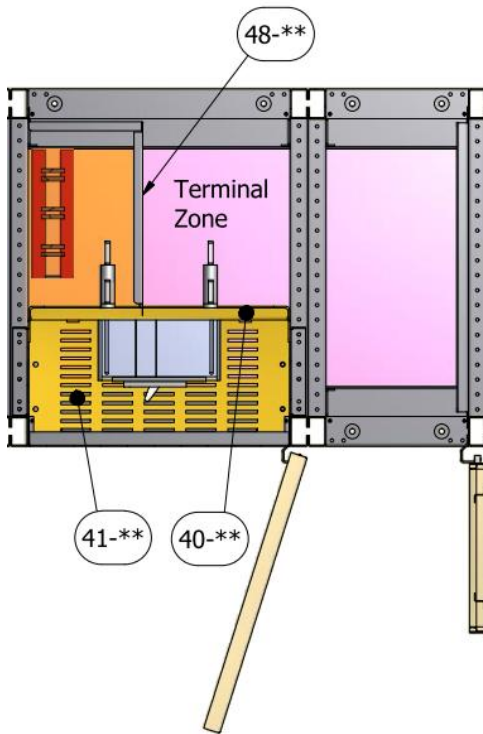
Description	item no'
MCCB Back plate	40-xx
Horizontal partition 3B	41-xx
Horizontal partition 4B	41-xx
Busbar separation	48-xx
Rear separation	48-xx
Side cable separation	48-xx



AFCON LVPT Distribution switchgears

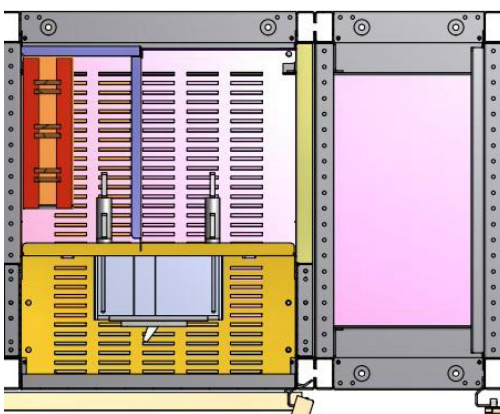
FORM 3/4 segregation

Busbars in MCCB cabinet, Depth from 600mm to 1000mm (3p/4p)*
 *(600mm only 3p).



Form 3

Description	item no'
MCCB Back plate	40-xx
Horizontal partition 3B	41-xx
Busbar separation	48-xx



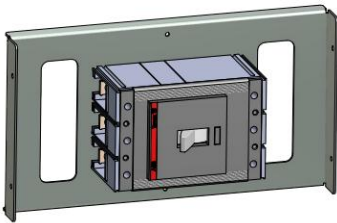
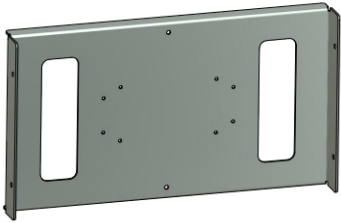
Form 4

Description	item no'
MCCB Back plate	40-xx
Horizontal partition 3B	41-xx
Horizontal partition 4B	41-xx
Busbar separation	48-xx
Rear separation	48-xx
Side cable separation	48-xx

AFCON LVPT Distribution switchgears

FORM 3/4 segregation

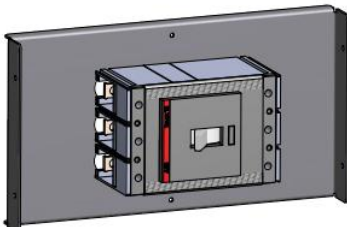
MCCB (F / P) – Horizontal installation with FRONT connection Cell W=500mm only



C.B - 3P*	Back Plate	Cell 500	Item no'	Cell 600	Item no'
Tmax	H (mm)	W (mm)		W (mm)	
T1**	150	500	40-41	600	40-45
T1	200		40-01		
T2	150		40-42		40-46
T2	200		40-02		
T3	200		40-03		
T4	200		40-04		
T4	250		40-66		
T5 - 400	250		40-05		
T5 - 400	300		40-06		
T5 - 630	300		40-06		

*Fixed / Plug in CB ; ** T1 only Fixed.

MCCB (Fixed) – Horizontal installation with REAR connection Cell W=500 /600 mm



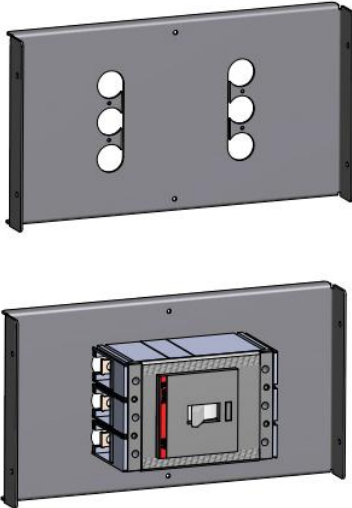
C.B - 3P*	Back Plate	Cell 500	Item no'	Cell 600	Item no'
Tmax	H (mm)	W (mm)		W (mm)	
T1	150	500	40-43	600	40-47
T1	200		40-08		40-16
T2	150		40-44		40-48
T2	200		40-09		40-17
T3	200		40-10		40-18
T4	200		40-11		40-19
T4	250		40-67		40-68
T5 - 400	250		40-12		40-20
T5 - 400	300		40-13		40-21
T6 - 630	350		40-14		40-22
T6 - 800	400		40-49		40-50

*Fixed CB

AFCON LVPT Distribution switchgears

FORM 3/4 segregation

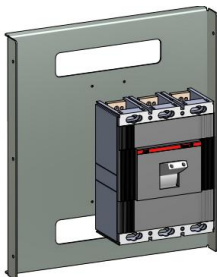
MCCB (Plug-in) – Horizontal installation with REAR connection Cell W=500 /600 mm



C.B - 3P*	Back Plate	Cell 500	Item no'	Cell 600	Item no'
Tmax	H (mm)	W (mm)		W (mm)	
T2	150	500	40-25	600	40-33
T2	200		40-26		40-34
T3	200		40-27		40-35
T4	200		40-28		40-36
T4	250		40-69		40-70
T5 - 400	250		40-29		40-37
T5 - 400	300		40-32		40-40
T5 - 630	300		40-30		40-38

*Plug-in CB

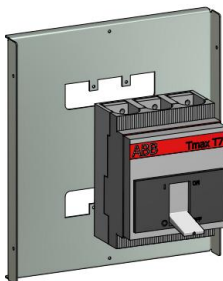
MCCB (F) – Vertical installation with REAR connection Cell W=500 /600 mm



C.B - 3P*	Back Plate	Cell 500	Item no'	Cell 600	Item no'
Tmax	H (mm)	W (mm)		W (mm)	
T6	500	500	40-07	600	40-23

*Fixed CB

MCCB (F) – Vertical installation with FRONT connection Cell W=500 /600 mm



C.B - 3P*	Back Plate	Cell 500	Item no'	Cell 600	Item no'
Tmax	H (mm)	W (mm)		W (mm)	
T6	500	500	40-15	600	40-24
T7	500		40-51		

*Fixed CB

AFCON LVPT Distribution switchgears

FORM 3/4 segregation

MCCB (Interlocked) – Vertical installation with FRONT / REAR connection

C.B - 3P/4P*	Back Plate	Cell	Item no'
Tmax	H (mm)	W (mm)	
T3	400		40-80
T4	400	600	40-81
T5	400		40-82
T6	500	800	40-83
*Fixed CB			

MCCB (Interlocked) – Horizontal installation with REAR connection only

C.B - 3P/4P*	Back Plate	Cell 500	Item no'	Cell 600	Item no'
Tmax	H (mm)	W (mm)		W (mm)	
T3	400		40-84		40-87
T4	400	500	40-85	600	40-88
T5	400		40-86		40-89
T6	500		X	600	40-90
*Fixed CB					

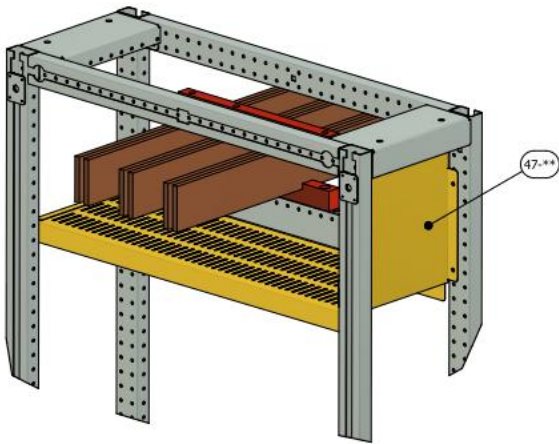
General Blind Back Plates for Contactors / Disconnectors or control equipments.



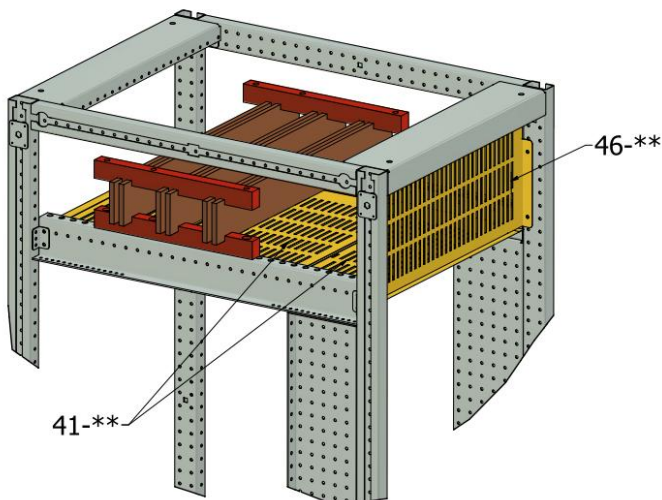
Blind Plate Form 3/4	Cell W(mm)=	
	500	600
H (mm)		
150	40-52	40-59
200	40-53	40-60
250	40-54	40-61
300	40-55	40-62
350	40-56	40-63
400	40-57	40-64
500	40-58	40-65

AFCON LVPT Distribution switchgears

Busbars FORM 3/4 segregation



Description	Item no'
Front cable cell cover to horizontal bus bar W=300 D=600	47-01
Front cable cell cover to horizontal bus bar W=300 D=800	47-02
Front cable cell cover to horizontal bus bar W=300 D=1000	47-03
Front cable cell cover to horizontal bus bar W=400 D=600	47-04
Front cable cell cover to horizontal bus bar W=400 D=800	47-05
Front cable cell cover to horizontal bus bar W=400 D=1000	47-06



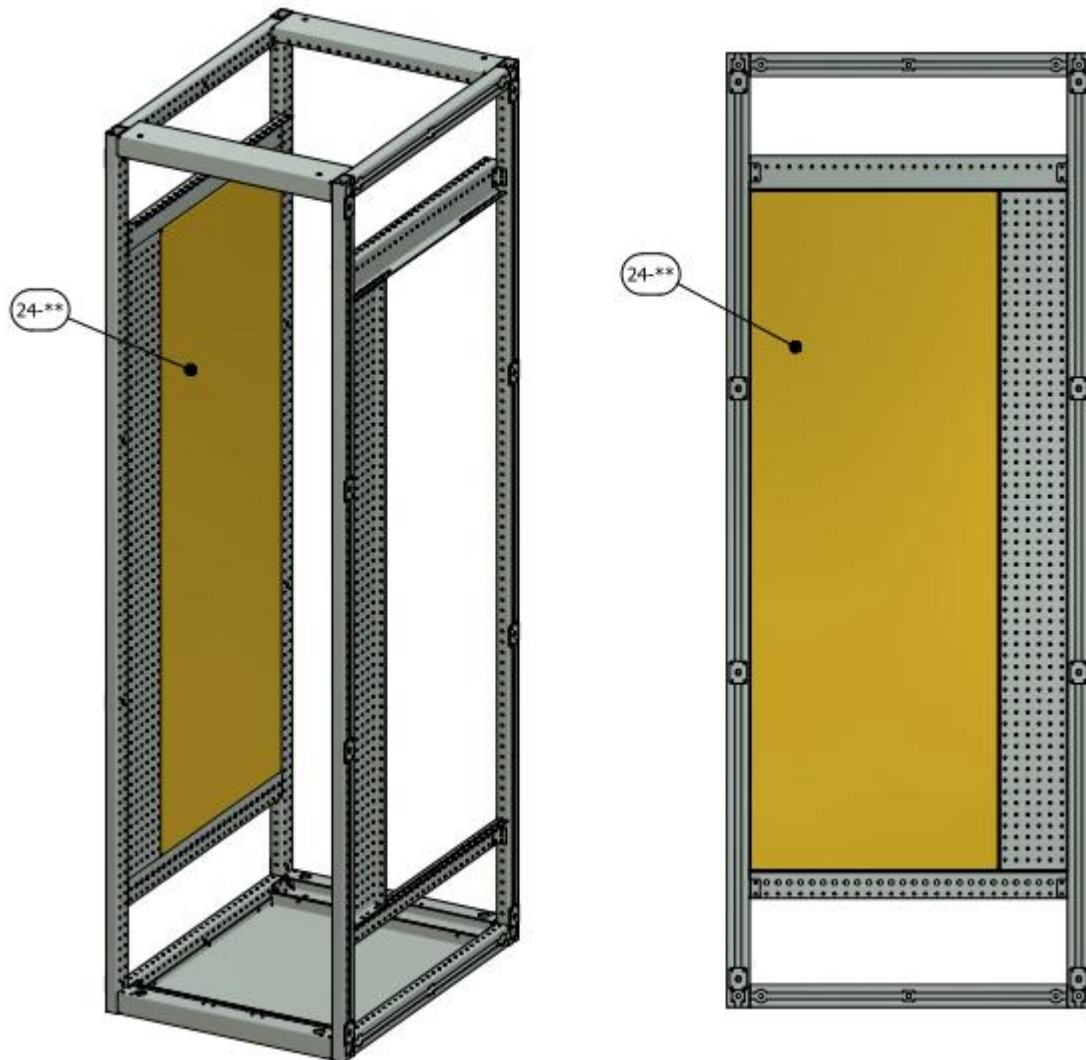
Description	item no'
Front busbars cover	46-xx

Description	item no'
Horizontal Short partition Cell W=:500,700,800,900 (FROM 3B+4B)	41-xx
Horizontal Long partition Cell W=:500,700,800,900 (FROM 3B+4B)	41-xx

AFCON LVPT Distribution switchgears

Busbars FORM 3/4 segregation

Lateral Cubicle Separation.

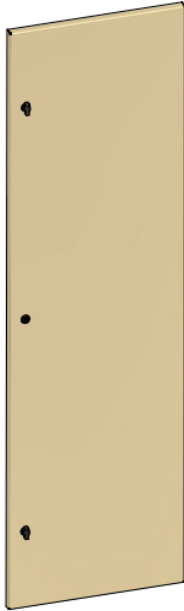


Description	Item no'
Lateral cubicle separation W=XXX mm H=2100 mm	24-XX
Lateral cubicle separation W=XXX mm H=1800 mm	24-XX
Lateral cubicle separation W=XXX mm H=1500 mm	24-XX
Lateral cubicle separation W=XXX mm H=800 mm	24-XX
Lateral cubicle separation W=XXX mm H=400 mm	24-XX
Lateral cubicle separation W=XXX mm H=200 mm	24-XX
<ul style="list-style-type: none">See Index. Width from 150 up to 750mm for each height.	

AFCON LVPT Distribution switchgears

Front / Rear Doors

**Blind Door
09-xx**



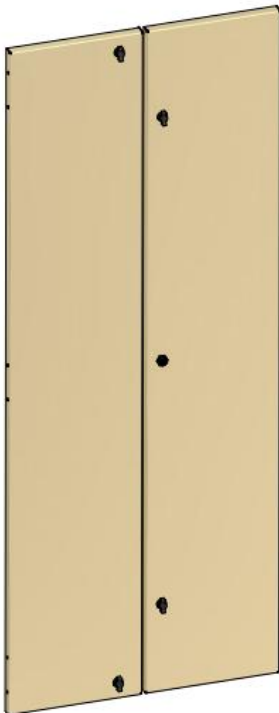
**Door with ventilation
openings 09-xx**



**Blind Door with central
handle 09-xx**



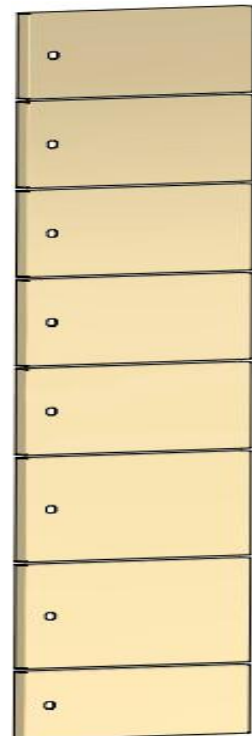
**Double Door
09-xx**



**Double Door with central
handle 09-xx**

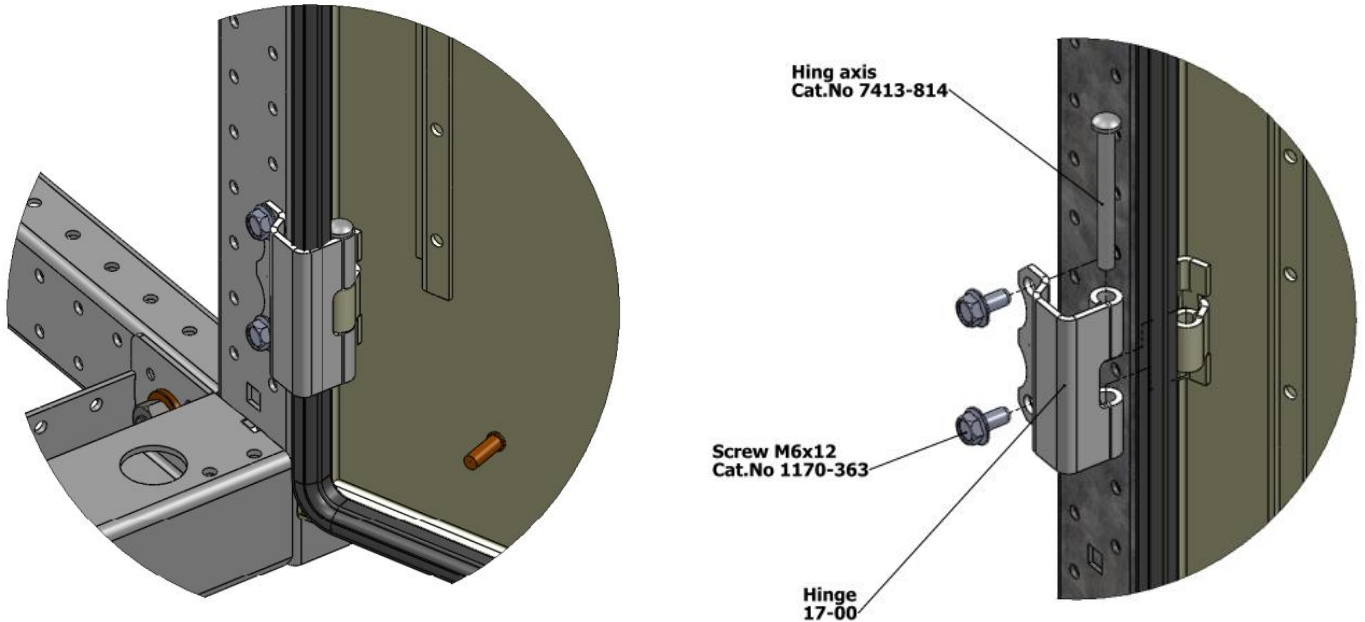


**Individual Doors for
outgoing cabinets 09-xx**

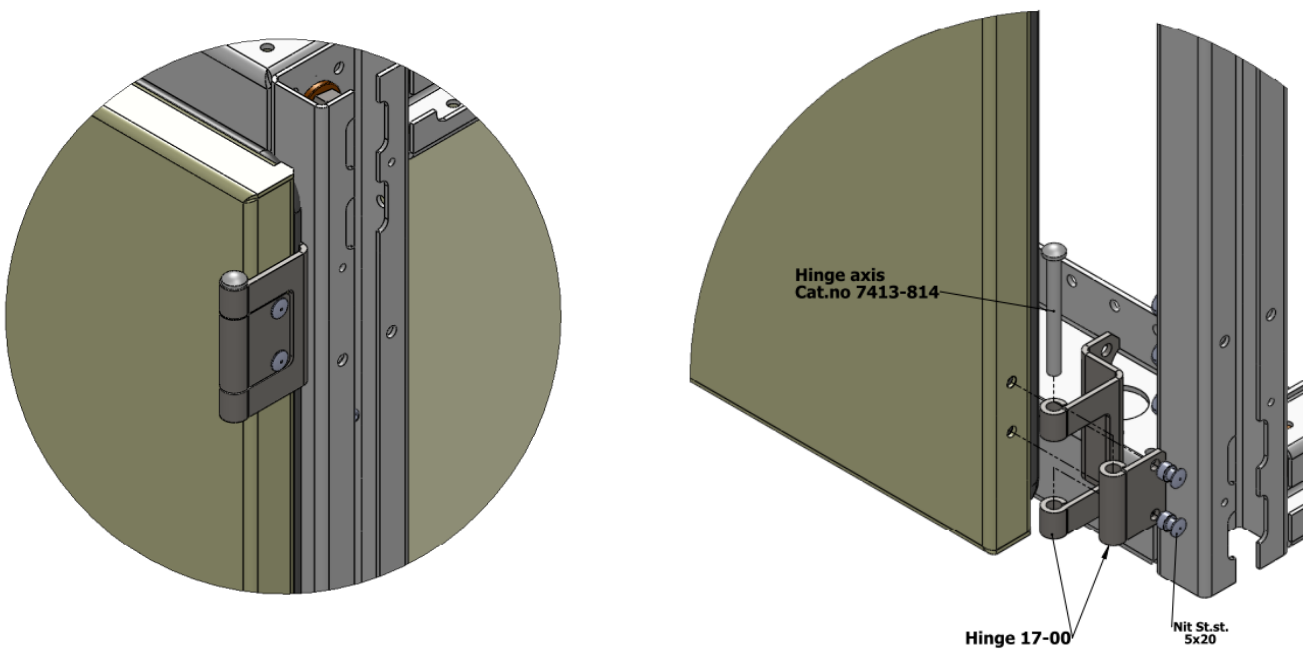


AFCON LVPT Distribution switchgears

Hidden Axis 120 degree opening

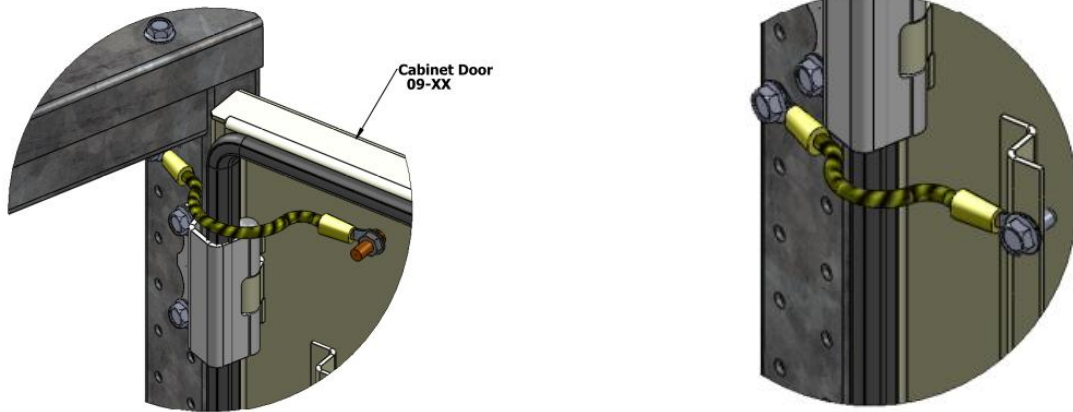


External Axis 180 degree opening



AFCON LVPT Distribution switchgears

Doors Grounding

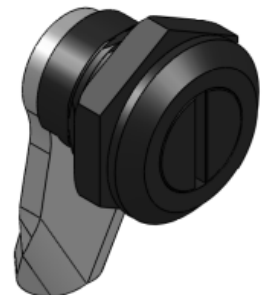
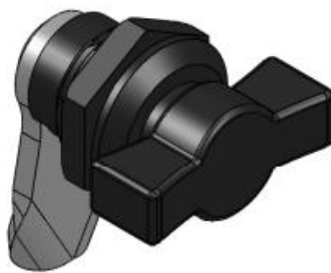


Inserts and Keys

3 points rotary handle with key

Hand opening insert

Tool opening insert

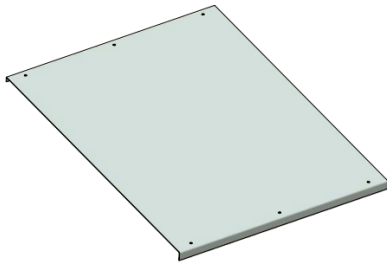


Description	item no'
Hand opening insert	
Tool opening insert	
3 points rotary handle with key	

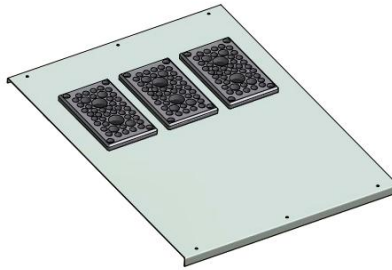
AFCON LVPT Distribution switchgears

Top / bottom Covers

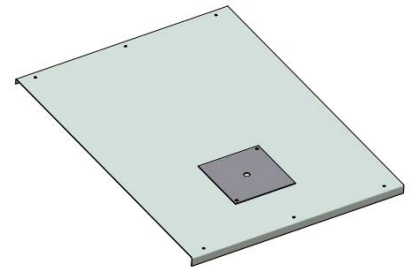
Sealed Top covers – up to IP55*



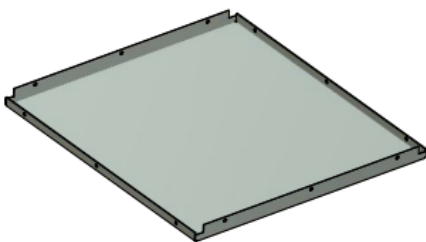
Sealed Top covers – up to IP54***



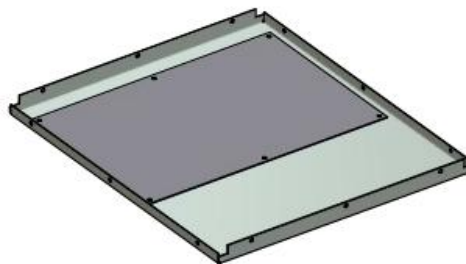
Top covers with Smoke detectors bracket. IP3X



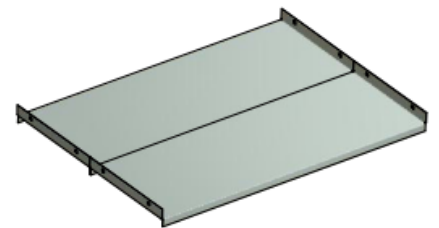
Sealed bottom covers – up to IP55*



Bottom covers with cable entrance openings. IP55 **



Divided bottom cover – up to IP31



(*) Consult the factory.

(**) With cable glands IP65 type.

(***) With cable flange type MOLLER F3A-D.

AFCON LVPT Distribution switchgears

Side & Shaped side Covers

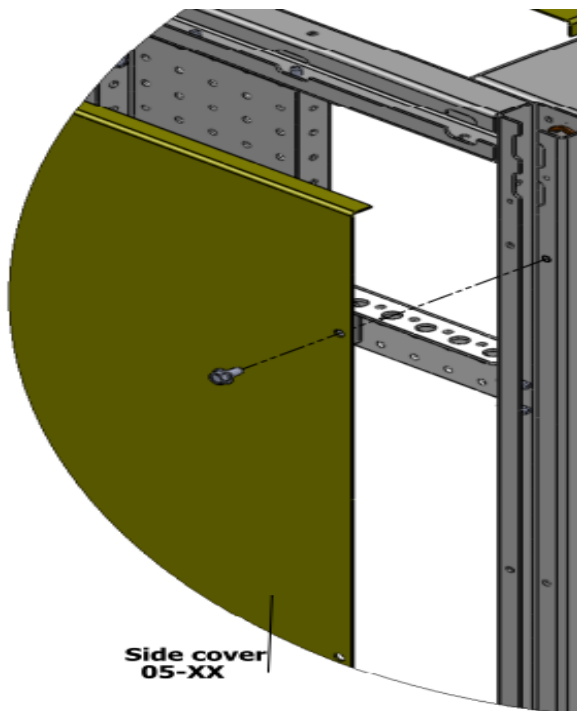
Side Cover – Up to IP55



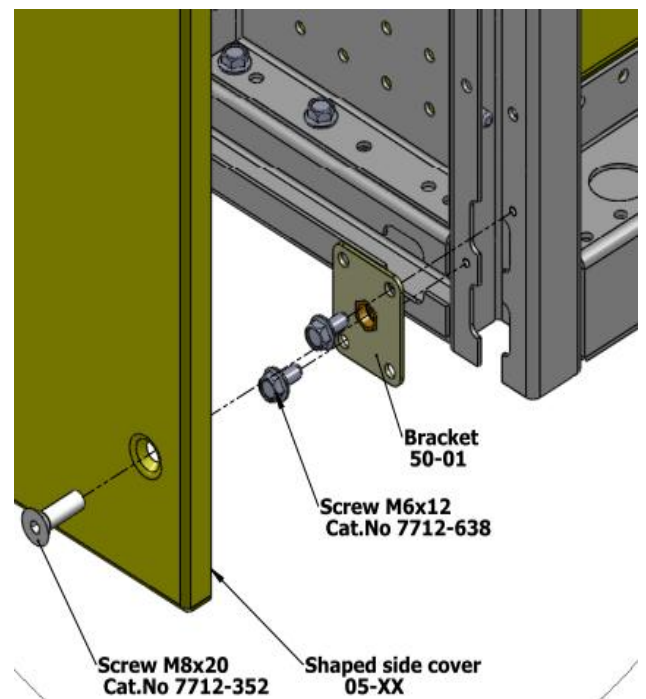
Shaped Side Cover – Up to IP31



Flat Fixing with M6 screw

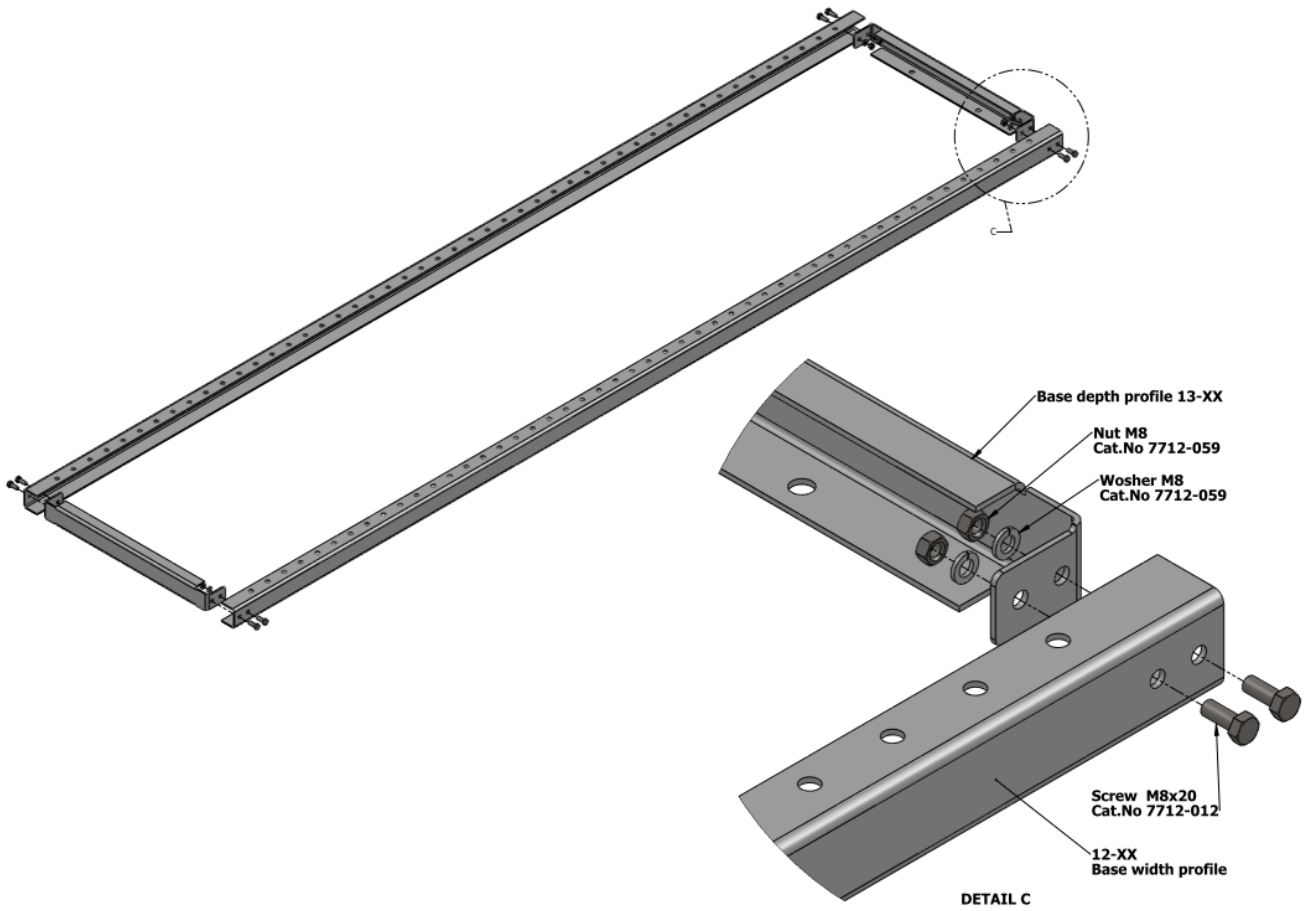


Fixing with M8 screw on Bracket

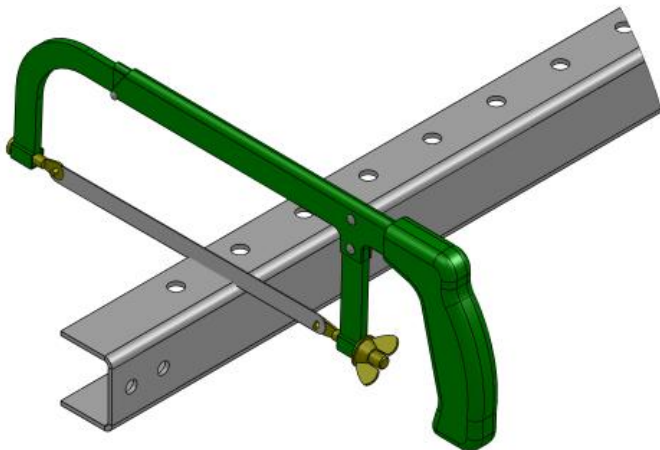


AFCON LVPT Distribution switchgears

Plinth base 50mm Height



The base width profile length is L=2500mm. Cut the profile with a saw as needed.



AFCON LVPT Distribution switchgears

General Technical Data.

Technical Data		
Features		
Standards	TTA Switchgear assembly corresponding to a large degree with the original type of switchgear assembly type-tested in accordance with these standards.	
Test certificates	Type tests per IEC 61439-1	
Electrical Data		
Rated voltage	Rated insulation voltage U_i	1000 V
	Rated operating voltage U_e	690 V
	Rated impulse withstand voltage U_{imp}	12 kV / 8 kV (for MCCB)
	Rated frequency 50 or 60 Hz	
Rated Busbar current	Rated current I_e	1250/2500/3200/4000/5000/6300*A Temperature rise tested with diversity factor =1 -natural ventilation.
	Rated short-time withstand current Phase - Phase $I_{cw} - 1\text{sec}$	up to 100 kA
	Rated short-time withstand current Phase - Neutral $I_{cw} - 1\text{sec}$	up to 60 kA
	Efficiency of protection circuit	up to 60 kA
	Rated peak withstand current I_{pk}	up to 220 kA
Mechanical Characteristics		
Dimensions Cubicles and supporting structures	Height	2100 mm + base 50 mm
	Width	250, 300, 400, 500, 600, 700, 800, 900, 1000, 1200 mm (+ 30 mm with side cover)
	Depth	400, 500, 600, 800, 1000, 1250 mm (+ 50mm with front door)
Surface protection	Frame	Alu-Zinc coated
	Internal subdivision	Alu-Zinc-coated
	Enclosure Front/Side Covers	Painted RAL 7035 Texture.
Degrees of protection	According to IEC 60529	IP 31 up to IP 55 (for indoor installations)
Resistance to impact IK		IK10
Ambient characteristics	Humidity	50% max in +40°C ; (90% for 20°C)
	Service climate	-5°C up to +40°C (max) / +35°C (avg.) for 24Hr.
	Storage	-25°C up to +55°C
Internal Subdivision	Form 1 - 2a - 2b - 3a - 3b - 4a - 4b	
Cable/busbar entry	From the bottom or from the top	
Main busbars location	Top, rear and at the bottom	
Mimic bus diagram	With or without	
Equipment	Circuit breakers type: Emax, Tmax manufactured by ABB	

AFCON LVPT Distribution switchgears

Dissipated Power

Admitted power losses in CABINETS.

LVPT - mm			IP 55- power (w)				IP 31- power (w)			
H	W	D	Wall mounting		Detached		Wall mounting		Detached	
mm	mm	mm	First/Last	Middle	First/Last	Middle	First/Last	Middle	First/Last	Middle
2100	600	400	330	302	373	345	454	435	481	463
2100	800	400	433	410	463	448	525	504	569	546
2100	600	500	393	356	427	395	493	470	523	498
2100	800	500	478	464	511	488	592	563	641	610
2100	500	600	393	346	421	379	493	465	518	488
2100	600	600	445	405	460	440	550	517	583	550
2100	700	600	484	461	510	481	603	568	648	609
2100	800	600	524	505	563	528	659	620	699	673
2100	500	800	461	419	474	437	592	546	623	574
2100	600	800	506	476	528	484	659	608	690	645
2100	700	800	575	500	602	557	719	668	750	715
2100	800	800	603	566	628	592	762	724	806	762
2100	500	1000	555	490	574	511	690	627	712	660
2100	600	1000	614	540	606	552	749	695	777	731
2100	700	1000	638	594	658	608	800	753	849	785
2100	800	1000	683	625	713	656	866	805	929	851

- All Data with Natural ventilation.
- Ambient temperature 35°C / Max Temp-rise of 30° (H=1700mm).
- In switchgear design, must consider the breakers Derating. See Annex AF1.

Admitted power losses in FUNCTIONAL UNITS compartments.

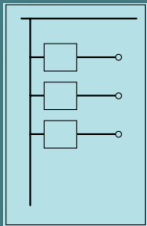
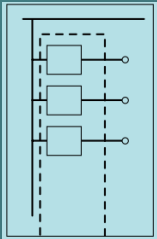
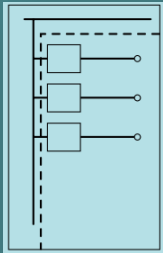
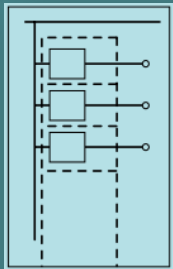
Max Watt in functional units				
Height	Width	watt	Width	watt
mm	mm			mm
200	500	45	600	55
250		45		55
300		50		60
350		55		65
400		60		70
500		65		75

AFCON LVPT Distribution switchgears

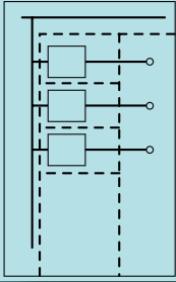
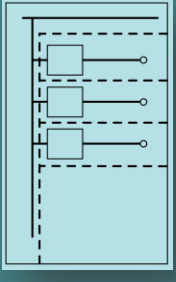
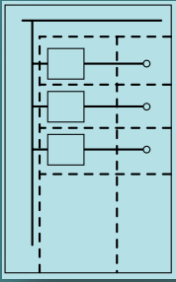
Forms of internal separation according to IEC 61439-1

Low-voltage switchgear assemblies can be divided by means of partitions or barriers into separate compartments or enclosed protected spaces. The purpose of forming separate compartments or enclosed protected spaces which contain the functional units is:

- Protection against direct contact with hazardous parts belonging to the functional unit (degree of protection must be at least IP XXB).
- Limitation of possibility of fault arc occurrence.
- Protection against the passage of solid foreign bodies from one functional unit into an adjacent one (degree of protection shall be at least IP 2X).

<u>Segregation FORM</u>	<u>Description</u>	<u>Fig.</u>
<u>FORM -1</u>	<ul style="list-style-type: none"> • No internal separation. 	
<u>FORM-2a</u>	<ul style="list-style-type: none"> • Separation of busbars from the functional units. • The terminals of external conductors do not need to be separated from the busbars. 	
<u>FORM-2b</u>	<ul style="list-style-type: none"> • Separation of busbars from the functional units. • The terminals for external conductors need to be separated from the busbars. 	
<u>FORM-3a</u>	<ul style="list-style-type: none"> • Internal partitioning between busbars and functional units as well as separation of functional units from one another. • The terminals of external conductors do not need to be separated from the busbars. 	

AFCON LVPT Distribution switchgears

<u>Segregation FORM</u>	<u>Description</u>	<u>Fig.</u>
<u>FORM-3b</u>	<ul style="list-style-type: none"> • Internal partitioning between busbars and functional units as well as separation of functional units from one another. • The terminals of external conductors need to be separated from the busbars. 	
<u>FORM-4a</u>	<ul style="list-style-type: none"> • Separation of the terminals for external conductors from functional units, but not from one another. • The terminals for external conductors need to be separated from the busbars. 	
<u>FORM-4b</u>	<ul style="list-style-type: none"> • Internal separation between busbars and functional units as well as functional units among one another, including the terminals for external conductors which are an integral part of the functional unit. • Terminals for external conductors which are not an integral part of the functional unit, which however are in an individual, separate, enclosed protected space or compartment. 	

The form of separation and higher degrees of protection (where greater than IP2X or IPXX B) shall be agreed between the manufacturer and the end user.

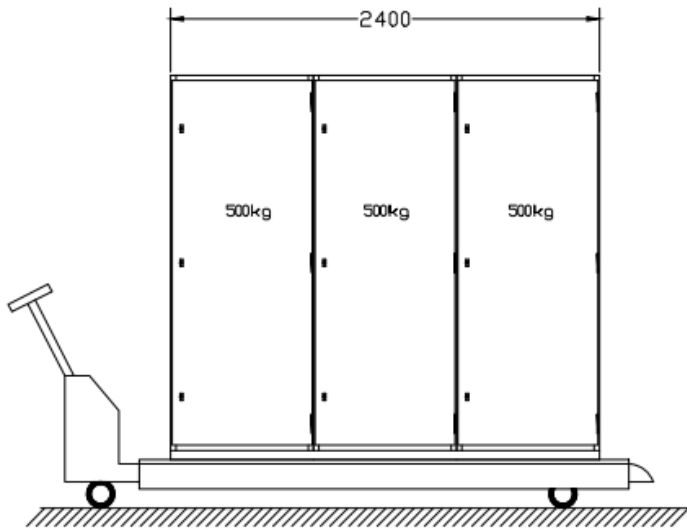
Internal separation is used for the protection of personnel and of the system where work is being carried out on the switchgear assembly, and where for operational reasons, switching cannot be carried out unless the installation is live.

Depending on operational requirements, the distribution sections can optimally be designed with various Forms of separation. Distribution sections, which should permit straightforward removal of functional units (such as those with withdrawable modules), are equipped as standard with a higher form of separation, such as Form 3b, for example.

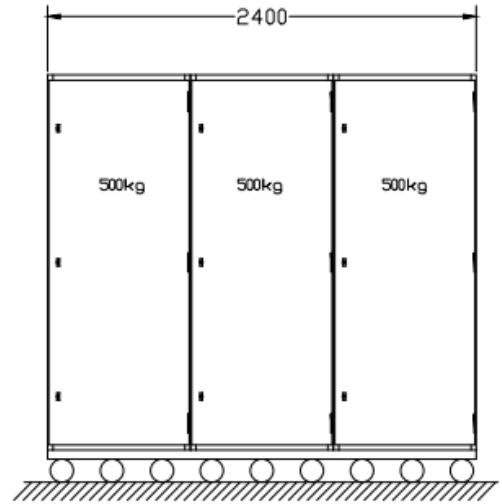
Separation in accordance with Form 2b, i.e. separation between busbars and functional units, is recommended in every case.

AFCON LVPT Distribution switchgears

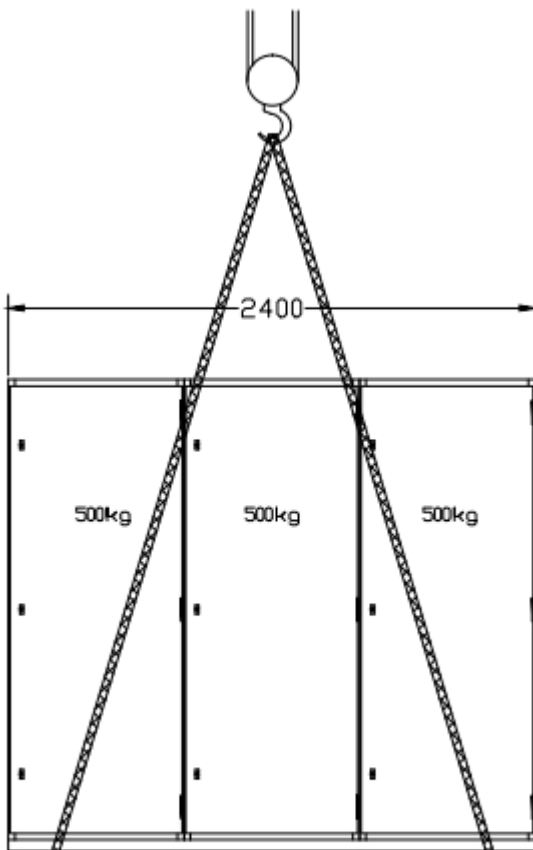
Handling instructions



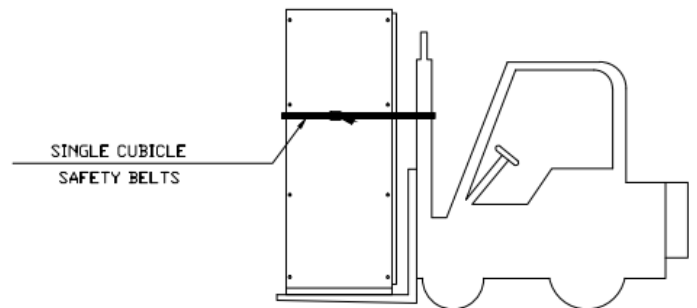
MOVING BY FORKS



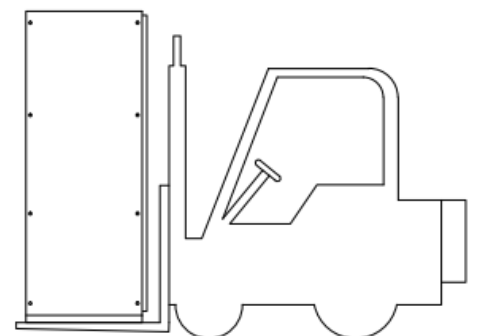
MOVING BY ROLERS



LIFT BY CRANE



MOVING & LIFT BY FORK LIFT



MOVING UP TO 3 CUBICLE

AFCON LVPT Distribution switchgears

Part No.	Catalogue Code.	Description
07-01	7413-042	Top cover 250 mm D=400 mm
07-02	7413-043	Top cover 250 mm D=500 mm
07-03	7413-044	Top cover 250 mm D=600 mm
07-04	7413-045	Top cover 250 mm D=800 mm
07-05	7413-046	Top cover 250 mm D=1000 mm
07-06	7413-047	Top cover 250 mm D=1250 mm
07-07	7413-048	Top cover 300 mm D=400 mm
07-08	7413-049	Top cover 300 mm D=500 mm
07-09	7413-050	Top cover 300 mm D=600 mm
07-10	7413-051	Top cover 300 mm D=800 mm
07-11	7413-052	Top cover 300 mm D=1000 mm
07-12	7413-053	Top cover 300 mm D=1250 mm
07-56	7413-787	Top cover 400 mm D=400 mm
07-57	7413-788	Top cover 400 mm D=500 mm
07-58	7413-789	Top cover 400 mm D=600 mm
07-55	7413-780	Top cover 400 mm D=800 mm
07-59	7413-790	Top cover 400 mm D=1000 mm
07-60	7413-796	Top cover 400 mm D=1250 mm
07-13	7413-054	Top cover 500 mm D=400 mm
07-14	7413-055	Top cover 500 mm D=500 mm
07-15	7413-056	Top panel 500 mm D=600 mm
07-16	7413-057	Top cover 500 mm D=800 mm
07-17	7413-058	Top cover 500 mm D=1000 mm
07-18	7413-059	Top cover 500 mm D=1250 mm
07-19	7413-060	Top cover 600 mm D=400 mm
07-20	7413-061	Top cover 600 mm D=500 mm
07-21	7413-070	Top cover 600 mm D=600 mm
07-22	7413-062	Top cover 600 mm D=800 mm
07-23	7413-063	Top cover 600 mm D=1000 mm
07-24	7413-064	Top cover 600 mm D=1250 mm
07-25	7413-065	Top cover 700 mm D=400 mm
07-26	7413-066	Top cover 700 mm D=500 mm
07-27	7413-067	Top cover 700 mm D=600 mm
07-28	7413-068	Top cover 700 mm D=800 mm
07-29	7413-069	Top cover 700 mm D=1000 mm
07-30	7413-071	Top cover 700 mm D=1250 mm
07-31	7413-072	Top cover 800 mm D=400 mm
07-32	7413-073	Top cover 800 mm D=500 mm
07-33	7413-074	Top cover 800 mm D=600 mm
07-34	7413-075	Top cover 800 mm D=800 mm
07-35	7413-076	Top cover 800 mm D=1000 mm

AFCON LVPT Distribution switchgears

Part No.	Catalogue Code.	Description
07-36	7413-077	Top cover 800 mm D=1250 mm
07-37	7413-078	Top cover 900 mm D=400 mm
07-38	7413-079	Top cover 900 mm D=500 mm
07-39	7413-080	Top cover 900 mm D=600 mm
07-40	7413-081	Top cover 900 mm D=800 mm
07-41	7413-082	Top cover 900 mm D=1000 mm
07-42	7413-083	Top cover 900 mm D=1250 mm
07-43	7413-084	Top cover 1000 mm D=400 mm
07-44	7413-085	Top cover 1000 mm D=500 mm
07-45	7413-086	Top cover 1000 mm D=600 mm
07-46	7413-087	Top cover 1000 mm D=800 mm
07-47	7413-088	Top cover 1000 mm D=1000 mm
07-48	7413-089	Top cover 1000 mm D=1250 mm
07-49	7413-090	Top cover 1200 mm D=400 mm
07-50	7413-091	Top cover 1200 mm D=500 mm
07-51	7413-092	Top cover 1200 mm D=600 mm
07-52	7413-093	Top cover 1200 mm D=800 mm
07-53	7413-094	Top cover 1200 mm D=1000 mm
07-54	7413-095	Top cover 1200 mm D=1250 mm
07-99	7413-630	Fire alarm cover 130*130 mm
08-01	7413-096	Bottom cover 250 mm D=400 mm
08-02	7413-097	Bottom cover 250 mm D=500 mm
08-03	7413-098	Bottom cover 250 mm D=600 mm
08-04	7413-099	Bottom cover 250 mm D=800 mm
08-05	7413-100	Bottom cover 250 mm D=1000 mm
08-06	7413-101	Bottom cover 250 mm D=1250 mm
08-07	7413-102	Bottom cover 300 mm D=400 mm
08-08	7413-103	Bottom cover 300 mm D=500 mm
08-09	7413-104	Bottom cover 300 mm D=600 mm
08-10	7413-105	Bottom cover 300 mm D=800 mm
08-11	7413-106	Bottom cover 300 mm D=1000 mm
08-12	7413-107	Bottom cover 300 mm D=1250 mm
08-61	7413-791	Bottom cover 400 mm D=400 mm
08-62	7413-792	Bottom cover 400 mm D=500 mm
08-63	7413-793	Bottom cover 400 mm D=600 mm
08-64	7413-794	Bottom cover 400 mm D=800 mm
08-65	7413-795	Bottom cover 400 mm D=1000 mm
08-66	7413-797	Bottom cover 400 mm D=1250 mm
08-13	7413-108	Bottom cover 500 mm D=400 mm

AFCON LVPT Distribution switchgears

Part No.	Catalogue Code.	Description
08-14	7413-109	Bottom cover 500 mm D=500 mm
08-15	7413-110	Bottom cover 500 mm D=600 mm
08-16	7413-111	Bottom cover 500 mm D=800 mm
08-17	7413-113	Bottom cover 500 mm D=1000 mm
08-18	7413-112	Bottom cover 500 mm D=1250 mm
08-19	7413-114	Bottom cover 600 mm D=400 mm
08-20	7413-115	Bottom cover 600 mm D=500 mm
08-21	7413-116	Bottom cover 600 mm D=600 mm
08-22	7413-117	Bottom cover 600 mm D=800 mm
08-23	7413-118	Bottom cover 600 mm D=1000 mm
08-24	7413-119	Bottom cover 600 mm D=1250 mm
08-25	7413-120	Bottom cover 700 mm D=400 mm
08-26	7413-121	Bottom cover 700 mm D=500 mm
08-27	7413-122	Bottom cover 700 mm D=600 mm
08-28	7413-123	Bottom cover 700 mm D=800 mm
08-29	7413-124	Bottom cover 700 mm D=1000 mm
08-30	7413-125	Bottom cover 700 mm D=1250 mm
08-31	7413-126	Bottom cover 800 mm D=400 mm
08-32	7413-127	Bottom cover 800 mm D=500 mm
08-33	7413-128	Bottom cover 800 mm D=600 mm
08-34	7413-129	Bottom cover 800 mm D=800 mm
08-35	7413-130	Bottom cover 800 mm D=1000 mm
08-36	7413-131	Bottom cover 800 mm D=1250 mm
08-37	7413-132	Bottom cover 900 mm D=400 mm
08-38	7413-133	Bottom cover 900 mm D=500 mm
08-39	7413-134	Bottom cover 900 mm D=600 mm
08-40	7413-135	Bottom cover 900 mm D=800 mm
08-41	7413-136	Bottom cover 900 mm D=1000 mm
08-42	7413-137	Bottom cover 900 mm D=1250 mm
08-43	7413-138	Bottom cover 1000 mm D=400 mm
08-44	7413-139	Bottom cover 1000 mm D=500 mm
08-45	7413-140	Bottom cover 1000 mm D=600 mm
08-46	7413-141	Bottom cover 1000 mm D=800 mm
08-47	7413-142	Bottom cover 1000 mm D=1000 mm
08-48	7413-143	Bottom cover 1000 mm D=1250 mm
08-49	7413-144	Bottom cover 1200 mm D=400 mm
08-50	7413-145	Bottom cover 1200 mm D=500 mm
08-51	7413-147	Bottom cover 1200 mm D=600 mm
08-52	7413-146	Bottom cover 1200 mm D=800 mm
08-53	7413-148	Bottom cover 1200 mm D=1000 mm
08-54	7413-149	Bottom cover 1200 mm D=1250 mm

AFCON LVPT Distribution switchgears

Part No.	Catalogue Code.	Description
08-55	7413-631	Bottom cover divided 200 mm W=300 mm
08-60	7413-798	Bottom cover divided 200 mm W=400 mm
08-59	7413-711	Bottom cover divided 200 mm W=500 mm
08-56	7413-632	Bottom cover divided 200 mm W=600 mm
08-57	7413-633	Bottom cover divided 200 mm W=700 mm
08-58	7413-634	Bottom cover divided 200 mm W=800 mm
09-01	7413-150	Door 250 mm H=2100 mm
09-02	7413-151	Door 300 mm H=2100 mm
09-88	7413-785	Door 400 mm H=2100 mm
09-03	7413-152	Door 500 mm H=2100 mm
09-04	7413-153	Door 600 mm H=2100 mm
09-08	7413-276	Door 700 mm H=2100 mm
09-05	7413-154	Door 800 mm H=2100 mm
09-09	7413-339	Door 900 mm H=2100 mm
09-06	7413-155	Door 1000 mm H=2100 mm
09-89	7413-786	Door 400 mm H=1800 mm
09-74	7413-712	Door 500 mm H=1800 mm
09-07	7413-156	Door 600 mm H=1800 mm
09-75	7413-713	Door 700 mm H=1800 mm
09-76	7413-714	Door 800 mm H=1800 mm
09-77	7413-715	Double door 800 mm H=1800 mm
09-61	7413-340	Double door 800 mm H=2100 mm
09-85	7413-729	Double door 900 mm H=2100 mm
09-86	7413-730	Double door 1000 mm H=2100 mm
09-62	7413-341	Double door 1200 mm H=2100 mm
09-91	7413-815	Double door 1000 mm H=2100 mm Central lock handle
09-92	7413-816	Double door 1200 mm H=2100 mm Central lock handle
09-93		Double door 800 mm H=2100 mm Central lock handle

AFCON LVPT Distribution switchgears

Part No.	Catalogue Code.	Description
09-68	7413-635	Door 250 mm H=2100 mm Central lock handle
09-69	7413-636	Door 300 mm H=2100 mm Central lock handle
09-87	7413-777	Door 400 mm H=2100 mm Central lock handle
09-70	7413-637	Door 500 mm H=2100 mm Central lock handle
09-63	7413-379	Door 600 mm H=2100 mm Central lock handle
09-67	7413-638	Door 700 mm H=2100 mm Central lock handle
09-64	7413-380	Door 800 mm H=2100 mm Central lock handle
09-90	7413-799	Door 400 mm H=1800 mm Central lock handle
09-81	7413-716	Door 500 mm H=1800 mm Central lock handle
09-82	7413-717	Door 600 mm H=1800 mm Central lock handle
09-83	7413-718	Door 700 mm H=1800 mm Central lock handle
09-84	7413-719	Door 800 mm H=1800 mm Central lock handle
09-11	7413-342	Door 250 mm H=2100 mm - IP 31 - with ventilation openings
09-12	7413-343	Door 300 mm H=2100 mm - IP 31 - with ventilation openings
09-13	7413-344	Door 500 mm H=2100 mm - IP 31 - with ventilation openings
09-14	7413-345	Door 600 mm H=2100 mm - IP 31 - with ventilation openings
09-15	7413-346	Door 700 mm H=2100 mm - IP 31 - with ventilation openings
09-16	7413-347	Door 800 mm H=2100 mm - IP 31 - with ventilation openings
09-17	7413-348	Door 900 mm H=2100 mm - IP 31 - with ventilation openings
09-18	7413-349	Door 1000 mm H=2100 mm - IP 31 - with ventilation openings
09-78	7413-720	Door 500 mm H=1800 mm - IP 31 - with ventilation openings
09-19	7413-350	Door 600 mm H=1800 mm - IP 31 - with ventilation openings
09-79	7413-721	Door 700 mm H=1800 mm - IP 31 - with ventilation openings
09-80	7413-722	Door 800 mm H=1800 mm - IP 31 - with ventilation openings
09-22	7413-352	individual door H=200 cell width 500 mm
09-23	7413-353	individual door H=250 cell width 500 mm
09-24	7413-354	individual door H=300 cell width 500 mm
09-25	7413-355	individual door H=350 cell width 500 mm
09-65	7413-580	individual door H=400 cell width 500 mm
09-26	7413-356	individual door H=500 cell width 500 mm
09-29	7413-359	individual door H=200 cell width 600 mm
09-30	7413-360	individual door H=250 cell width 600 mm
09-31	7413-361	individual door H=300 cell width 600 mm
09-32	7413-362	individual door H=350 cell width 600 mm
09-66	7413-603	individual door H=400 cell width 600 mm
09-33	7413-363	individual door H=500 cell width 600 mm

AFCON LVPT Distribution switchgears

Part No.	Catalogue Code.	Description
11-01	7413-171	Mounting plate Width 300 H=80 mm
11-02	7413-172	Mounting plate Width 300 H=150 mm
11-03	7413-173	Mounting plate Width 300 H=200 mm
11-04	7413-174	Mounting plate Width 300 H=250 mm
11-05	7413-175	Mounting plate Width 300 H=300 mm
11-06	7413-176	Mounting plate Width 300 H=350 mm
11-07	7413-177	Mounting plate Width 300 H=420 mm
11-08	7413-178	Mounting plate Width 400 H=80 mm
11-09	7413-179	Mounting plate Width 400 H=150 mm
11-10	7413-180	Mounting plate Width 400 H=200 mm
11-11	7413-181	Mounting plate Width 400 H=250 mm
11-12	7413-182	Mounting plate Width 400 H=300 mm
11-13	7413-183	Mounting plate Width 400 H=350 mm
11-14	7413-184	Mounting plate Width 400 H=420 mm
11-15	7413-185	Mounting plate Width 500 H=80 mm
11-16	7413-186	Mounting plate Width 500 H=150 mm
11-17	7413-187	Mounting plate Width 500 H=200 mm
11-18	7413-188	Mounting plate Width 500 H=250 mm
11-19	7413-189	Mounting plate Width 500 H=300 mm
11-20	7413-190	Mounting plate Width 500 H=350 mm
11-21	7413-191	Mounting plate Width 500 H=420 mm
11-22	7413-192	Mounting plate Width 600 H=80 mm
11-23	7413-193	Mounting plate Width 600 H=150 mm
11-24	7413-194	Mounting plate Width 600 H=200 mm
11-25	7413-195	Mounting plate Width 600 H=250 mm
11-26	7413-196	Mounting plate Width 600 H=300 mm
11-27	7413-197	Mounting plate Width 600 H=350 mm
11-28	7413-198	Mounting plate Width 600 H=420 mm
11-29	7413-199	Mounting plate Width 700 H=80 mm
11-30	7413-200	Mounting plate Width 700 H=150 mm
11-31	7413-201	Mounting plate Width 700 H=200 mm
11-32	7413-202	Mounting plate Width 700 H=250 mm
11-33	7413-203	Mounting plate Width 700 H=300 mm
11-34	7413-204	Mounting plate Width 700 H=350 mm
11-35	7413-205	Mounting plate Width 700 H=420 mm
11-36	7413-206	Mounting plate Width 800 H=80 mm
11-37	7413-207	Mounting plate Width 800 H=150 mm
11-38	7413-208	Mounting plate Width 800 H=200 mm
11-39	7413-209	Mounting plate Width 800 H=250 mm
11-40	7413-210	Mounting plate Width 800 H=300 mm
11-41	7413-211	Mounting plate Width 800 H=350 mm
11-42	7413-212	Mounting plate Width 800 H=420 mm

AFCON LVPT Distribution switchgears

Part No.	Catalogue Code.	Description
14-01	7413-241	Profile "Z" Bus Bar support Depth 400 mm
14-02	7413-242	Profile "Z" Bus Bar support Depth 500 mm
14-03	7413-243	Profile "Z" Bus Bar support Depth 600 mm
14-04	7413-244	Profile "Z" Bus Bar support Depth 800 mm
14-05	7413-245	Profile "Z" Bus Bar support Depth 1000 mm
14-06	7413-246	Profile "Z" Bus Bar support Depth 1250 mm
15-03	7413-249	Additional Crossbar between divided doors cell width 500 mm
15-04	7413-250	Additional Crossbar between divided doors cell width 600 mm
15-05	7413-251	Additional Crossbar between divided doors cell width 700 mm
15-06	7413-252	Additional Crossbar between divided doors cell width 800 mm
15-07	7413-253	Additional Crossbar between divided doors cell width 900 mm
15-08	7413-254	Additional Crossbar between divided doors cell width 1000 mm
15-09	7413-255	Additional Crossbar between divided doors cell width 1200 mm
18-01	7413-326	Bracket for Locking device for hand opening insert
18-02	7413-327	
18-03	7610-243	Hand opening insert
18-04	7610-176	Toll opening insert (special)
18-05	7610-250	Toll opening insert (screw driver)
18-06	7610-171	Hand opening insert + padlock preparation.
18-07	7610-116	3 points rotary handle
18-08	7610-123	Closure for rotary handle
18-09	7610-124	Profile for rotary handle (order 2 pcs for 1 handle)
18-10	7610-119	Leading for profile rotary handle (order 4 pcs for 1 handle)
18-11	7610-210	Locking lug for rotary handle
17-05		Hinge (120 degree opening new type)
17-06		Hinge (180 degree opening new type)
17-07	7413-814	Hinge Axis
17-02	7413-258	Hinge 63 mm (old type)
17-03	7413-259	Hinge 113 mm (old type) for doors hieght up to 250mm
19-01	7610-241	Female axis
19-02	7712-634	Elen screw 5x20mm
20-01	7413-262	Hinge axis 63mm
20-02	7413-660	Hinge axis 113mm

AFCON LVPT Distribution switchgears

Part No.	Catalogue Code.	Description
20-03	7712-638	Screw 6x12mm DIN7500M (used for all construction connections)
	7413-256	Cabinets connection Tube 48x16mm
20-04	7712-627	Cabinets connection Screw 8x70mm
	6825-030	Cabinets connection Nut M8 st8.8
20-05	7712-628	Cabinets connection Nilock Nut 8mm
20-10	5910-339	Company logo "AFCON LVPT"
20-11	5910-341	Red tap for logo
21-01	7413-263	Vertical profile "U" to front panels H=2100 mm
21-02	7413-405	Vertical profile "U" to front panels H=1800 mm
21-10	7712-207	Panel screw 6 mm
21-11	7712-208	Panel nutsert 6 mm
21-12	7712-350	Panel profile nut 6 mm
21-13	7610-077	Panel hinge.
22-33	7413-689	Blank panel 50 mm Width 500 mm
22-25	7413-289	Blank panel 150 mm Width 500 mm
22-26	7413-290	Blank panel 200 mm Width 500 mm
22-27	7413-291	Blank panel 250 mm Width 500 mm
22-28	7413-292	Blank panel 300 mm Width 500 mm
22-29	7413-293	Blank panel 350 mm Width 500 mm
22-30	7413-294	Blank panel 400 mm Width 500 mm
22-31	7413-295	Blank panel 450 mm Width 500 mm
22-32	7413-296	Blank panel 500 mm Width 500 mm
22-34	7413-686	Blank panel 50 mm Width 600 mm
22-01	7413-264	Blank panel 150 mm Width 600 mm
22-02	7413-265	Blank panel 200 mm Width 600 mm
22-03	7413-266	Blank panel 250 mm Width 600 mm
22-04	7413-267	Blank panel 300 mm Width 600 mm
22-05	7413-268	Blank panel 350 mm Width 600 mm
22-06	7413-269	Blank panel 400 mm Width 600 mm
22-07	7413-270	Blank panel 450 mm Width 600 mm
22-08	7413-271	Blank panel 500 mm Width 600 mm
22-35	7413-687	Blank panel 50 mm Width 700 mm
22-09	7413-272	Blank panel 150 mm Width 700 mm
22-10	7413-273	Blank panel 200 mm Width 700 mm

AFCON LVPT Distribution switchgears

Part No.	Catalogue Code.	Description
40-34	7413-529	Mccb T2 Plug In Rear con. mounting plate Width 600 mm
40-35	7413-530	Mccb T3 Plug In Rear con. mounting plate Width 600 mm
40-36	7413-531	Mccb T4 Plug In Rear con. mounting plate Width 600 mm
40-70	7413-685	Mccb T4 Plug In Rear con. mounting plate Width 600 mm
40-37	7413-532	Mccb T5-400A Plug In Rear con. mounting plate Width 600 mm
40-40	7413-535	Mccb T5-400A Plug In Rear con. mounting plate Width 600 mm
40-38	7413-533	Mccb T5-630A Plug In Rear con. mounting plate Width 600 mm
40-39	7413-534	Mccb T6-630A Plug In Rear con. mounting plate Width 600 mm
40-41	7413-536	Mccb T1 Front con. mounting plate Width 500 mm H=150mm
40-42	7413-537	Mccb T2 Front con. mounting plate Width 500 mm H=150mm
40-43	7413-538	Mccb T1 Rear con. mounting plate Width 500 mm H=150mm
40-44	7413-539	Mccb T2 Rear con. mounting plate Width 500 mm H=150mm
40-45	7413-540	Mccb T1 Front con. mounting plate Width 600 mm H=150mm
40-46	7413-541	Mccb T2 Front con. mounting plate Width 600 mm H=150mm
40-47	7413-542	Mccb T1 Rear con. mounting plate Width 600 mm H=150mm
40-48	7413-543	Mccb T2 Rear con. mounting plate Width 600 mm H=150mm
40-52	7413-645	Blank Mounting plate 150 mm Width 500 mm
40-53	7413-646	Blank Mounting plate 200 mm Width 500 mm
40-54	7413-647	Blank Mounting plate 250 mm Width 500 mm
40-55	7413-648	Blank Mounting plate 300 mm Width 500 mm
40-56	7413-649	Blank Mounting plate 350 mm Width 500 mm
40-57	7413-650	Blank Mounting plate 400 mm Width 500 mm
40-58	7413-651	Blank Mounting plate 500 mm Width 500 mm
40-59	7413-652	Blank Mounting plate 150 mm Width 600 mm
40-60	7413-653	Blank Mounting plate 200 mm Width 600 mm
40-61	7413-654	Blank Mounting plate 250 mm Width 600 mm
40-62	7413-655	Blank Mounting plate 300 mm Width 600 mm
40-63	7413-656	Blank Mounting plate 350 mm Width 600 mm
40-64	7413-657	Blank Mounting plate 400 mm Width 600 mm
40-65	7413-658	Blank Mounting plate 500 mm Width 600 mm
41-01	7413-460	Horizontal Mccb separation long 4B- 500 D=600 mm
41-02	7413-461	Horizontal Mccb separation long 4B- 500 D=800 mm
41-03	7413-462	Horizontal Mccb separation long 4B- 500 D=1000 mm
41-19	7413-805	Horizontal Mccb separation long 4B- 600 D=600 mm
41-20	7413-806	Horizontal Mccb separation long 4B- 600 D=800 mm
41-21	7413-807	Horizontal Mccb separation long 4B- 600 D=1000 mm
41-22	7413-808	Horizontal Mccb separation long 4B- 700 D=600 mm
41-23	7413-809	Horizontal Mccb separation long 4B- 700 D=800 mm
41-24	7413-810	Horizontal Mccb separation long 4B- 700 D=1000 mm

AFCON LVPT Distribution switchgears

Part No.	Catalogue Code.	Description
41-25	7413-811	Horizontal Mccb separation long 4B- 800 D=600 mm
41-26	7413-812	Horizontal Mccb separation long 4B- 800 D=800 mm
41-27	7413-813	Horizontal Mccb separation long 4B- 800 D=1000 mm
41-07	7413-466	Horizontal Mccb separation short 3B+4B- W=500 mm
41-08	7413-467	Horizontal Mccb separation short 3B+4B- W=600 mm
41-17	7413-723	Horizontal Mccb separation short 3B+4B- W=700 mm
41-18	7413-724	Horizontal Mccb separation short 3B+4B- W=800 mm
41-28	7413-898	Horizontal Mccb separation short 3B+4B- W=900 mm
41-13	7413-610	Horizontal Mccb separation long to Bus bar 4B-500 D=800 mm
41-14	7413-611	Horizontal Mccb separation long to Bus bar 4B-500 D=1000 mm
41-15	7413-612	Horizontal Mccb separation long to Bus bar 4B-600 D=800 mm
41-16	7413-613	Horizontal Mccb separation long to Bus bar 4B-600 D=1000 mm
43-05	7413-766	Rear support to hexagonal isolator-E3 Width 500 mm
43-01	7413-438	Rear support to hexagonal isolator-E1,E2 Width 600 mm
43-02	7413-439	Rear support to hexagonal isolator-E1,E2 Width 700 mm
43-03	7413-440	Rear support to hexagonal isolator-E3 Width 700 mm
43-04	7413-441	Rear support to hexagonal isolator-E3 Width 800 mm
44-17	7413-661	Horizontal mounting plate to ACB C.b Withdrawable-X1,T7 500mm
44-01	7413-558	Horizontal mounting plate to ACB C.b Withdrawable-X1,T7 600mm
44-02	7413-662	Horizontal mounting plate to ACB C.b Withdrawable-E1,E2,E3 600
44-03	7413-663	Horizontal mounting plate to ACB C.b Withdrawable-E1,E2,E3 700
44-04	7413-664	Horizontal mounting plate to ACB C.b Withdrawable-E1,E2,E3 800
44-18	7413-457	Horizontal mounting plate to ACB C.b Fixed-E1,E2,E3 600mm
44-19	7413-458	Horizontal mounting plate to ACB C.b Fixed-E1,E2,E3 700mm
44-20	7413-459	Horizontal mounting plate to ACB C.b Fixed-E1,E2,E3 800mm
44-21	7413-695	Vertical side cover right to ACB C.b Withdrawable X1,T7 500mm
44-22	7413-696	Vertical side cover left to ACB C.b Withdrawable X1,T7 500mm
44-23	7413-697	Vertical side cover right to ACB C.b Withdrawable X1,T7 600mm
44-24	7413-698	Vertical side cover left to ACB C.b Withdrawable X1,T7 600mm
44-05	7413-665	Vertical side cover to ACB C.b Withdrawable E3 600mm
44-06	7413-666	Vertical side cover to ACB C.b Withdrawable E1,E2 600mm
44-07	7413-667	Vertical side cover to ACB C.b Withdrawable E3 700mm
44-08	7413-668	Vertical side cover to ACB C.b Withdrawable E1,E2 700mm
44-09	7413-669	Vertical side cover to ACB C.b Withdrawable E3 800mm
44-10	7413-670	Vertical side cover to ACB C.b Withdrawable E1,E2 800mm

AFCON LVPT Distribution switchgears

Part No.	Catalogue Code.	Description
48-01	7413-473	Vertical cover C.b bus bar separation 600mm-H=200mm
48-02	7413-474	Vertical cover C.b bus bar separation 600mm-H=250mm
48-03	7413-475	Vertical cover C.b bus bar separation 600mm-H=300mm
48-04	7413-476	Vertical cover C.b bus bar separation 600mm-H=350mm
48-49	7413-614	Vertical cover C.b bus bar separation 600mm-H=400mm
48-05	7413-477	Vertical cover C.b bus bar separation 600mm-H=500mm
48-06	7413-478	Vertical cover C.b bus bar separation 800mm-H=200mm
48-07	7413-479	Vertical cover C.b bus bar separation 800mm-H=250mm
48-08	7413-480	Vertical cover C.b bus bar separation 800mm-H=300mm
48-09	7413-481	Vertical cover C.b bus bar separation 800mm-H=350mm
48-50	7413-615	Vertical cover C.b bus bar separation 800mm-H=400mm
48-10	7413-482	Vertical cover C.b bus bar separation 800mm-H=500mm
48-11	7413-483	Vertical cover C.b bus bar separation 1000mm-H=200mm
48-12	7413-484	Vertical cover C.b bus bar separation 1000mm-H=250mm
48-13	7413-485	Vertical cover C.b bus bar separation 1000mm-H=300mm
48-14	7413-486	Vertical cover C.b bus bar separation 1000mm-H=350mm
48-51	7413-616	Vertical cover C.b bus bar separation 1000mm-H=400mm
48-15	7413-487	Vertical cover C.b bus bar separation 1000mm-H=500mm
48-16	7413-569	Vertical cover C.b side cable separation 600mm-H=200mm
48-17	7413-570	Vertical cover C.b side cable separation 600mm-H=250mm
48-18	7413-571	Vertical cover C.b side cable separation 600mm-H=300mm
48-19	7413-572	Vertical cover C.b side cable separation 600mm-H=350mm
48-52	7413-617	Vertical cover C.b side cable separation 600mm-H=400mm
48-20	7413-573	Vertical cover C.b side cable separation 600mm-H=500mm
48-21	7413-574	Vertical cover C.b side cable separation 800mm-H=200mm
48-22	7413-575	Vertical cover C.b side cable separation 800mm-H=250mm
48-23	7413-576	Vertical cover C.b side cable separation 800mm-H=300mm
48-24	7413-577	Vertical cover C.b side cable separation 800mm-H=350mm
48-53	7413-618	Vertical cover C.b side cable separation 800mm-H=400mm
48-25	7413-578	Vertical cover C.b side cable separation 800mm-H=500mm
48-26	7413-579	Vertical cover C.b side cable separation 1000mm-H=200mm
48-27	7413-590	Vertical cover C.b side cable separation 1000mm-H=250mm
48-28	7413-581	Vertical cover C.b side cable separation 1000mm-H=300mm
48-29	7413-582	Vertical cover C.b side cable separation 1000mm-H=350mm
48-54	7413-619	Vertical cover C.b side cable separation 1000mm-H=400mm
48-30	7413-583	Vertical cover C.b side cable separation 1000mm-H=500mm

AFCON LVPT Distribution switchgears

Part No.	Catalogue Code.	Description
51-05	1810-529	End cover to graded - 2x60x10,2x80x10
51-06	1810-535	End cover to graded - 3x80x10
51-07	1810-435	End cover to graded - 3x100x10,3x120x10
51-08	1810-526	Isolator for scalde busbar support 1X60X10
51-09	1810-523	Isolator for scalde busbar support 2X60X10
51-10	1810-534	Isolator for scalde busbar support 1X80X10
51-11	1812-038	Isolator for scalde busbar support 2X80X10
51-12	1810-533	Isolator for scalde busbar support 3X80X10
51-13	1810-524	Isolator for scalde busbar support 2X100X10
51-14	1810-443	Isolator for scalde busbar support 3X100X10
51-15	1810-437	Isolator for scalde busbar support 3X120X10
	7410-610	Door EPDM sealing
	7410-689	Door EPDM sealing new type EMKA
	7712-444	Threaded rod M10x190 for busbar holder (3 pcs each)
	7712-060	M10 NUT for busbar holder (6 pcs each)
	7710-216	Washer 3/8 for busbar holder (6 pcs each)
	7710-226	Spring Washer 3/8 for busbar holder (6 pcs each)
		Side shaped cover EPDM sealing new type EMKA IP42
60-01		Mcb's frame uprights H=1400mm
60-02		Mcb's Width cross profile w=400
60-03		Mcb's Width cross profile w=500
60-04		Mcb's Width cross profile w=600
60-05		Mcb's Width cross profile w=700
60-06		Mcb's Width cross profile w=800
60-07		Mcb's Width cross profile w=900
60-08		Mcb's Width cross profile w=1000
60-09		Channel holder
60-10		Mcb's Holder
60-11		MCCB T1 / T2 Holder
60-12		Reinforced profile for DIN rail / wiring. W=400
60-13		Reinforced profile for DIN rail / wiring. W=500
60-14		Reinforced profile for DIN rail / wiring. W=600
60-15		Reinforced profile for DIN rail / wiring. W=700
60-16		Reinforced profile for DIN rail / wiring. W=800
60-17		Reinforced profile for DIN rail / wiring. W=900
60-18		Reinforced profile for DIN rail / wiring. W=1000



CONTACT US

Doron Bar

Plant Manager
052-5524359
DORONB@AFCON.CO.IL

Tomer Bartal

Engineering & Development Manager
052-5524220
TOMERB@AFCON.CO.IL

Uria Danziger

Technical Department Manager
052-5524047
URIAD@AFCON.CO.IL

Moti Lahav

Operation & Special Projects Manager
052-5524003
MOTI@AFCON.CO.IL

Tanya Chovnik

Marketing Department Manager
052-5524284
TANYAC@AFCON.CO.IL

Gary Kalendariove

Logistics Department Manager
052-5524381
GARYK@AFCON.CO.IL