



Level



Pressure



Flow



Temperature



Liquid
Analysis



Registration



Systems
Components



Services



Solutions

Technical Information

Proline Promag 10P

Electromagnetic Flow Measuring System

Flow measurement of liquids in chemical or process applications



Application

Electromagnetic flowmeter for bidirectional measurement of liquids with a minimum conductivity of $\geq 50 \mu\text{S}/\text{cm}$:

- Acid, alkalis
- Paints
- Pastes
- Water, wastewater etc.
- Flow measurement up to $9600 \text{ m}^3/\text{h}$ ($42268 \text{ gal}/\text{min}$)
- Fluid temperature up to $+130 \text{ }^\circ\text{C}$ ($266 \text{ }^\circ\text{F}$)
- Process pressures up to 40 bar (580 psi)
- Lengths in accordance with DVGW/ISO

Application-specific lining material:

- PTFE

Your benefits

Promag measuring devices offer you cost-effective flow measurement with a high degree of accuracy for a wide range of process conditions.

The uniform Proline transmitter concept comprises:

- High degree of reliability and measuring stability
- Uniform operating concept

The tried-and-tested Promag sensors offer:

- No pressure loss
- Not sensitive to vibrations
- Simple installation and commissioning

Table of contents

Function and system design	3	Mechanical construction	20
Measuring principle	3	Design, dimensions	20
Measuring system	3	Weight	28
Input	3	Measuring tube specifications	30
Measured variable	3	Material	31
Measuring ranges	3	Material load diagram	31
Operable flow range	3	Fitted electrodes	33
Output	4	Process connections	33
Output signal	4	Surface roughness	33
Signal on alarm	4	Human interface	34
Load	4	Display elements	34
Low flow cutoff	4	Operating elements	34
Galvanic isolation	4	Remote operation	34
Power supply	4	Certificates and approvals	34
Electrical connection, measuring unit	4	CE mark	34
Electrical connection, terminal assignment	5	C-tick mark	34
Electrical connection, remote version	5	Ex approval	34
Supply voltage (power supply)	5	Other standards and guidelines	34
Cable entry	5	Pressure measuring device approval	34
Remote version cable specifications	6	Ordering information	35
Power consumption	6	Accessories	35
Power supply failure	6	Documentation	35
Potential equalization	7	Registered trademarks	35
Performance characteristics	9		
Reference operating conditions	9		
Maximum measured error	9		
Repeatability	9		
Operating conditions: Installations	10		
Installation instructions	10		
Inlet and outlet run	13		
Adapters	13		
Length of connecting cable	14		
Operating conditions: Environment	15		
Ambient temperature range	15		
Storage temperature	15		
Degree of protection	15		
Shock and vibration resistance	15		
Electromagnetic compatibility (EMC)	15		
Operating conditions: Process	16		
Medium temperature range	16		
Conductivity	16		
Medium pressure range (nominal pressure)	17		
Pressure tightness	17		
Limiting flow	18		
Pressure loss	19		

Function and system design

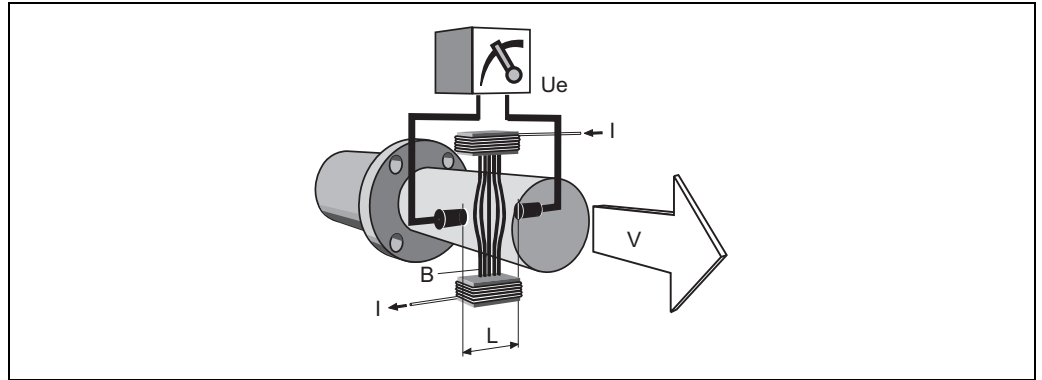
Measuring principle

Following *Faraday's law of magnetic induction*, a voltage is induced in a conductor moving through a magnetic field.

In the electromagnetic measuring principle, the flowing medium is the moving conductor.

The voltage induced is proportional to the flow velocity and is supplied to the amplifier by means of two measuring electrodes. The flow volume is calculated by means of the pipe cross-sectional area.

The DC magnetic field is created through a switched direct current of alternating polarity.



$$U_e = B \cdot L \cdot v$$

$$Q = A \cdot v$$

U_e Induced voltage

B Magnetic induction (magnetic field)

L Electrode spacing

v Flow velocity

Q Volume flow

A Pipe cross-section

I Current strength

A0003191

Measuring system

The measuring system consists of a transmitter and a sensor.

Two versions are available:

- Compact version: Transmitter and sensor form a mechanical unit.
- Remote version: Sensor is mounted separate from the transmitter.

Transmitter:

- Promag 10 (key operation, two-line, unilluminated display)

Sensor:

- Promag P (DN 25 to 600 / 1 to 24")

Input

Measured variable

Flow velocity (proportional to induced voltage)

Measuring ranges

Measuring ranges for liquids

Typically $v = 0.01$ to 10 m/s (0.03 to 33 ft/s) with the specified accuracy

Operable flow range

Over $1000 : 1$

Output

Output signal

Current output

- Galvanically isolated
- Active: 4 to 20 mA, $R_L < 700 \Omega$ (for HART: $R_L \geq 250 \Omega$)
- Full scale value adjustable
- Temperature coefficient: typ. 2 $\mu\text{A}/^\circ\text{C}$, resolution: 1.5 μA

Pulse/status output

- Galvanically isolated
- Passive: 30 V DC/250 mA
- Open collector
- Can be configured as:
 - Pulse output: Pulse value and pulse polarity can be selected, max. pulse width adjustable (5 to 2000 ms), pulse frequency max. 100 Hz
 - Status output: for example, can be configured for error messages, empty pipe detection, flow recognition, limit value

Signal on alarm

- Current output → Failsafe mode can be selected
- Pulse output → Failsafe mode can be selected
- Status output → "Not conductive" in the event of fault or power supply failure

Load

See "output signal"

Low flow cutoff

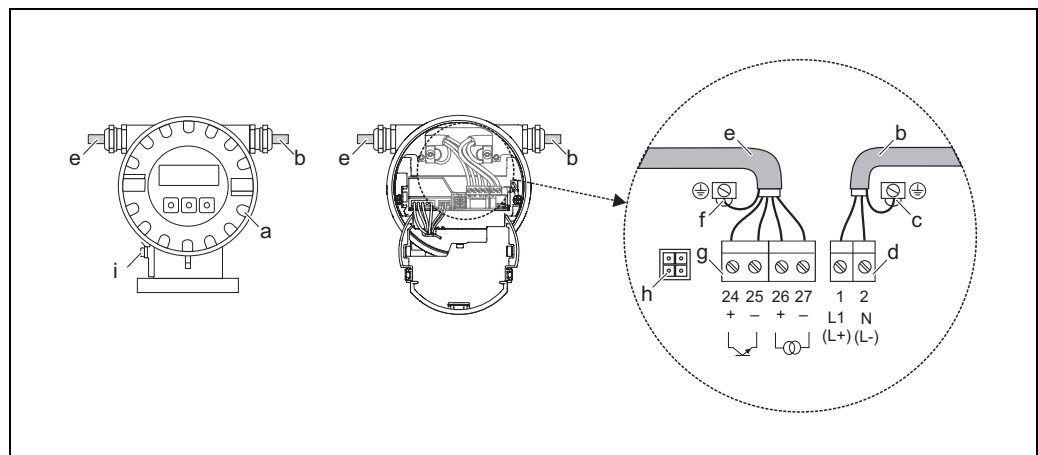
Switch-on points for low flow are selectable.

Galvanic isolation

All circuits for inputs, outputs and power supply are galvanically isolated from each other

Power supply

Electrical connection, measuring unit



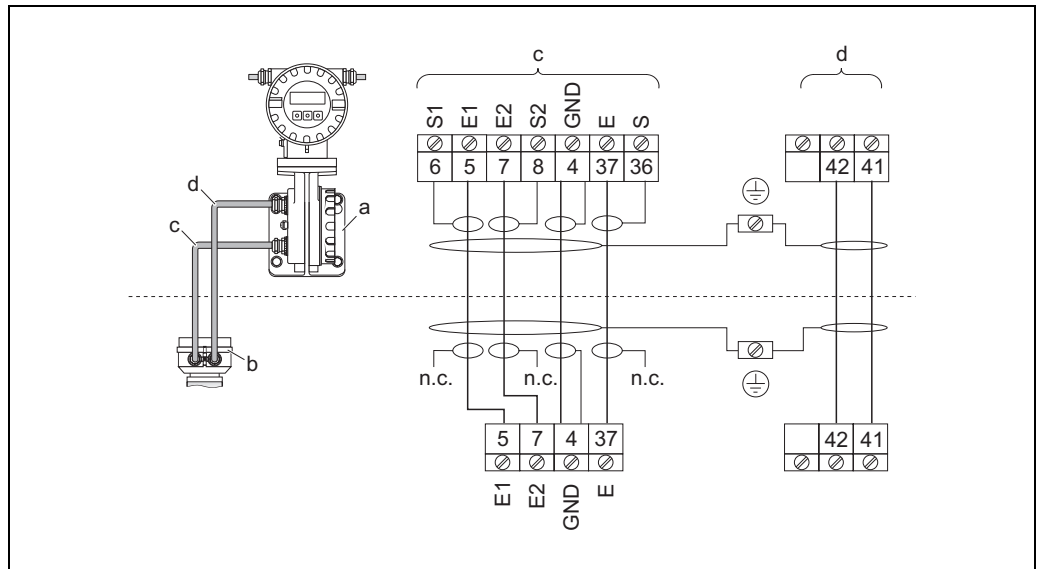
Connecting the transmitter (aluminum field housing), cable cross-section max. 2.5 mm² (14 AWG)

- a Electronics compartment cover
- b Power supply cable
- c Ground terminal for power supply cable
- d Terminal connector for power supply cable
- e Signal cable
- f Ground terminal for signal cable
- g Terminal connector for signal cable
- h Service connector for connecting service interface FXA 193 (Fieldcheck, FieldCare)
- i Ground terminal for potential equalization

Electrical connection, terminal assignment

Order version	Terminal No.					
	24 (+)	25 (-)	26 (+)	27 (-)	1 (L1/L+)	2 (N/L-)
10***_*****A	Pulse/status output		HART current output		Power supply	
Functional values	→ 4, Section "output signal"				→ Section "Supply voltage"	

Electrical connection, remote version



Connecting the remote version

- a Wall-mount housing connection compartment
- b Sensor connection housing cover
- c Signal cable
- d Coil current cable
- n.c. Not connected, insulated cable shields

Terminal numbers and cable colors:
 5/6 = brown, 7/8 = white, 4 = green, 37/36 = yellow

Supply voltage (power supply)

- 85 to 250 V AC, 45 to 65 Hz
- 20 to 28 V AC, 45 to 65 Hz
- 11 to 40 V DC

Cable entry

- Power supply and signal cables (inputs/ outputs):
- Cable entry M20 × 1.5 (8 to 12 mm / 0.31 to 0.47")
 - Thread for cable entries, 1/2" NPT, G 1/2"
- Connecting cable for remote version:
- Cable entry M20 × 1.5 (8 to 12 mm / 0.31 to 0.47")
 - Thread for cable entries, 1/2" NPT, G 1/2"

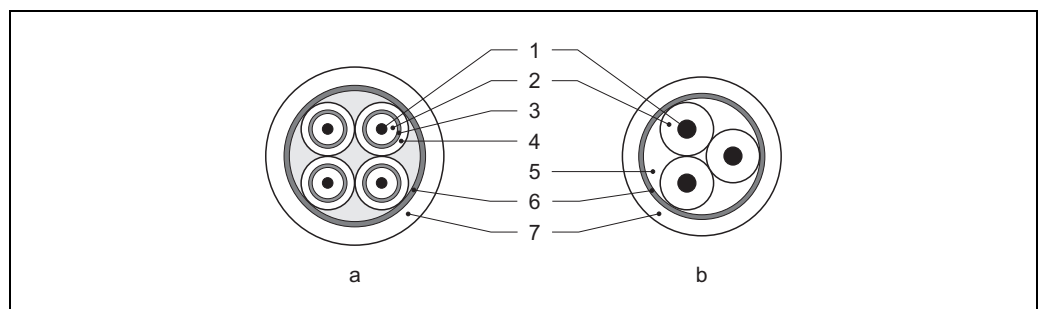
Remote version cable specifications

Coil cable

- $2 \times 0.75 \text{ mm}^2$ (18 AWG) PVC cable with common, braided copper shield ($\varnothing \sim 7 \text{ mm} / 0.28''$)
- Conductor resistance: $\leq 37 \text{ } \Omega/\text{km}$ ($\leq 0.011 \text{ } \Omega/\text{ft}$)
- Capacitance core/core, shield grounded: $\leq 120 \text{ pF/m}$ ($\leq 37 \text{ pF/ft}$)
- Operating temperature: -20 to $+80 \text{ } ^\circ\text{C}$ (-68 to $+176 \text{ } ^\circ\text{F}$)
- Cable cross-section: max. 2.5 mm^2 (14 AWG)
- Test voltage for cable insulation: $\leq 1433 \text{ AC r.m.s. } 50/60 \text{ Hz}$ or $\geq 2026 \text{ V DC}$

Signal cable

- $3 \times 0.38 \text{ mm}^2$ (20 AWG) PVC cable with common, braided copper shield ($\varnothing \sim 7 \text{ mm} / 0.28''$) and individual shielded cores
- With empty pipe detection (EPD): $4 \times 0.38 \text{ mm}^2$ (20 AWG) PVC cable with common, braided copper shield ($\varnothing \sim 7 \text{ mm} / 0.28''$) and individual shielded cores
- Conductor resistance: $\leq 50 \text{ } \Omega/\text{km}$ ($\leq 0.015 \text{ } \Omega/\text{ft}$)
- Capacitance core/shield: $\leq 420 \text{ pF/m}$ ($\leq 128 \text{ pF/ft}$)
- Operating temperature: -20 to $+80 \text{ } ^\circ\text{C}$ (-68 to $+176 \text{ } ^\circ\text{F}$)
- Cable cross-section: max. 2.5 mm^2 (14 AWG)



a Signal cable
b Coil current cable

- 1 Core
2 Core insulation
3 Core shield
4 Core jacket
5 Core reinforcement
6 Cable shield
7 Outer jacket

Operation in zones of severe electrical interference

The measuring device complies with the general safety requirements in accordance with EN 61010 and the EMC requirements of IEC/EN 61326.



Caution!

Grounding is by means of the ground terminals provided for the purpose inside the connection housing. Ensure that the stripped and twisted lengths of cable shield to the ground terminal are as short as possible.

Power consumption

- 85 to 250 V AC: $< 12 \text{ VA}$ (incl. sensor)
- 20 to 28 V AC: $< 8 \text{ VA}$ (incl. sensor)
- 11 to 40 V DC: $< 6 \text{ W}$ (incl. sensor)

Switch-on current:

- Max. 16 A ($< 5 \text{ ms}$) for 250 V AC
- Max. 5.5 A ($< 5 \text{ ms}$) for 28 V AC
- Max. 3.3 A ($< 5 \text{ ms}$) for 24 V DC

Power supply failure

Lasting min. $\frac{1}{2}$ cycle frequency: EEPROM saves measuring system data

Potential equalization



Warning!

The measuring system must be included in the potential equalization.

Perfect measurement is only ensured when the fluid and the sensor have the same electrical potential. This is ensured by the reference electrode integrated in the sensor as standard.

The following should also be taken into consideration for potential equalization:

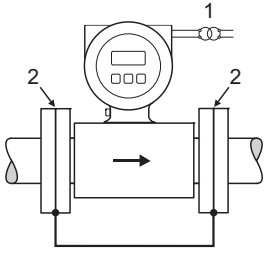
- Internal grounding concepts in the company
- Operating conditions, such as the material/ grounding of the pipes (see table)

Standard situation

Operating conditions	Potential equalization
<p>When using the measuring device in a:</p> <ul style="list-style-type: none"> ■ Metal, grounded pipe <p>Potential equalization takes place via the ground terminal of the transmitter.</p> <p> Note! When installing in metal pipes, we recommend you connect the ground terminal of the transmitter housing with the piping.</p>	<p style="text-align: right; font-size: small;">A0010831</p> <p style="text-align: center;"><i>Via the ground terminal of the transmitter</i></p>

Special situations

Operating conditions	Potential equalization
<p>When using the measuring device in a:</p> <ul style="list-style-type: none"> ■ Metal pipe that is not grounded <p>This connection method also applies in situations where:</p> <ul style="list-style-type: none"> ■ Customary potential equalization cannot be ensured. ■ Excessively high equalizing currents can be expected. <p>Both sensor flanges are connected to the pipe flange by means of a ground cable (copper wire, at least 6 mm² / 0.0093 in²) and grounded. Connect the transmitter or sensor connection housing, as applicable, to ground potential by means of the ground terminal provided for the purpose.</p> <ul style="list-style-type: none"> ■ DN ≤ 300 (12"): the ground cable is mounted directly on the conductive flange coating with the flange screws. ■ DN ≥ 350 (14"): the ground cable is mounted directly on the transportation metal support. <p> Note! The ground cable for flange-to-flange connections can be ordered separately as an accessory from Endress+Hauser.</p>	<p style="text-align: right; font-size: small;">A0010832</p> <p style="text-align: center;"><i>Via the ground terminal of the transmitter and the flanges of the pipe</i></p>
<p>When using the measuring device in a:</p> <ul style="list-style-type: none"> ■ Plastic pipe ■ Pipe with insulating lining <p>This connection method also applies in situations where:</p> <ul style="list-style-type: none"> ■ Customary potential equalization cannot be ensured. ■ Excessively high equalizing currents can be expected. <p>Potential equalization takes place using additional ground disks, which are connected to the ground terminal via a ground cable (copper wire, at least 6 mm² / 0.0093 in²). When installing the ground disks, please comply with the enclosed Installation Instructions.</p>	<p style="text-align: right; font-size: small;">A0010833</p> <p style="text-align: center;"><i>Via the ground terminal of the transmitter and the optionally available ground disks</i></p>

Operating conditions	Potential equalization
<p>When using the measuring device in a:</p> <ul style="list-style-type: none"> ■ Pipe with a cathodic protection unit <p>The device is installed potential-free in the pipe. Only the two flanges of the pipe are connected with a ground cable (copper wire, at least 6 mm² / 0.0093 in²). Here, the ground cable is mounted directly on the conductive flange coating with flange screws.</p> <p>Note the following when installing:</p> <ul style="list-style-type: none"> ■ The applicable regulations regarding potential-free installation must be observed. ■ There should be no electrically conductive connection between the pipe and the device. ■ The mounting material must withstand the applicable torques. 	 <p style="text-align: right;">A0010834</p> <p><i>Potential equalization and cathodic protection</i></p> <p>1 Power supply isolation transformer 2 Electrically isolated</p>

Performance characteristics

Reference operating conditions

As per DIN EN 29104 and VDI/VDE 2641:

- Fluid temperature: $+28\text{ °C} \pm 2\text{ K}$ ($+82\text{ °F} \pm 2\text{ K}$)
- Ambient temperature: $+22\text{ °C} \pm 2\text{ K}$ ($+72\text{ °F} \pm 2\text{ K}$)
- Warm-up period: 30 minutes

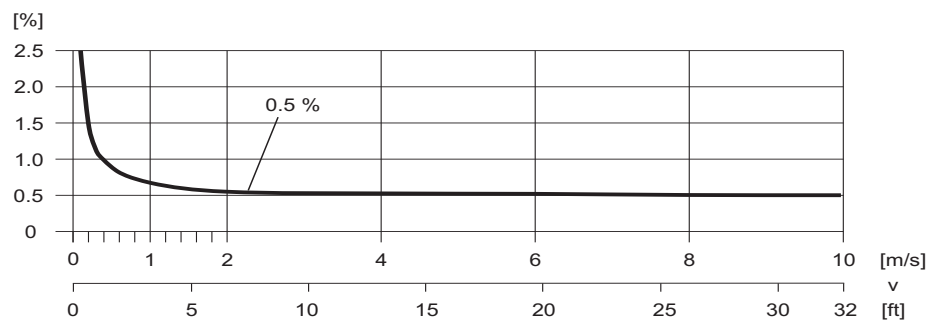
Installation conditions:

- Inlet run $> 10 \times \text{DN}$
- Outlet run $> 5 \times \text{DN}$
- Sensor and transmitter grounded.
- The sensor is centered in the pipe.

Maximum measured error

- Current output: also typically $\pm 5\ \mu\text{A}$
- Pulse output: $\pm 0.5\%$ o.r. $\pm 2\text{ mm/s}$ ($\pm 0.5\%$ o.r. $\pm 0.08\text{ in/s}$) (o.r. = of reading)

Fluctuations in the supply voltage do not have any effect within the specified range.



Max. measured error in % of reading

A0003200

Repeatability

Max. $\pm 0.2\%$ o.r. $\pm 2\text{ mm/s}$ ($\pm 0.2\%$ o.r. $\pm 0.08\text{ in/s}$) (o.r. = of reading)

Operating conditions: Installations

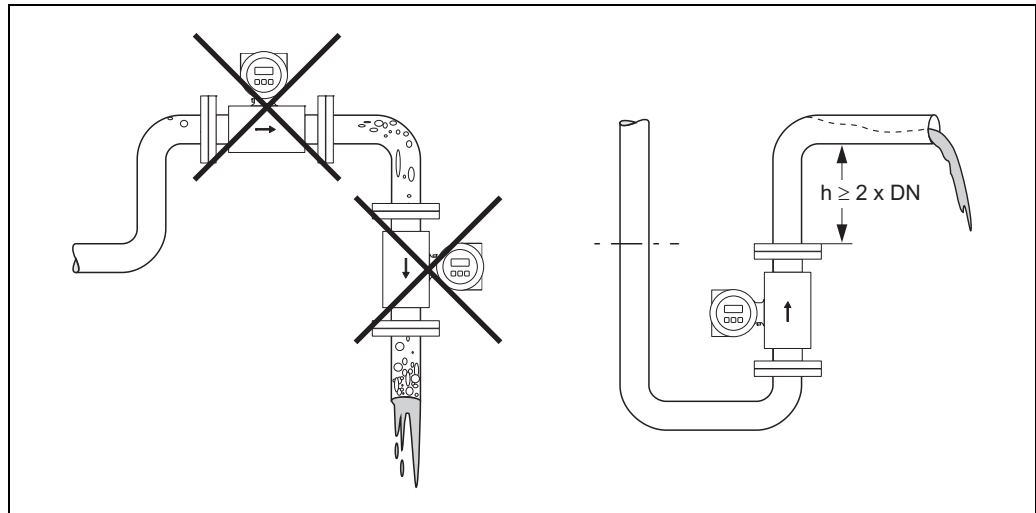
Installation instructions

Mounting location

Entrained air or gas bubble formation in the measuring tube can result in an increase in measuring errors.

Avoid the following installation locations in the pipe:

- Highest point of a pipeline. Risk of air accumulating!
- Directly upstream from a free pipe outlet in a vertical pipeline.

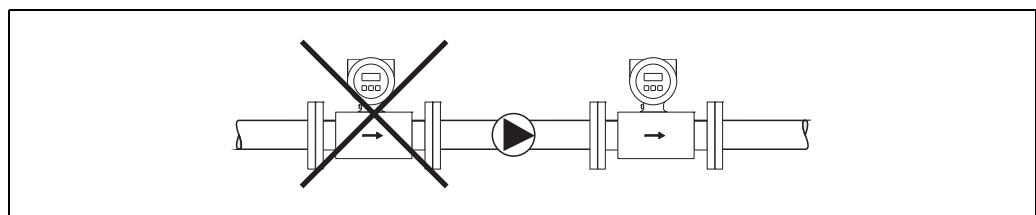


Mounting location

Installation of pumps

Sensors may not be installed on the pump suction side. This precaution is to avoid low pressure and the consequent risk of damage to the lining of the measuring tube. Information on the pressure tightness of the measuring tube lining → 17, Section "Pressure tightness".

Pulsation dampers may be needed when using piston pumps, piston diaphragm pumps or hose pumps. Information on the shock and vibration resistance of the measuring system → 15, Section "Shock and vibration resistance".



Installation of pumps

Partially filled pipes

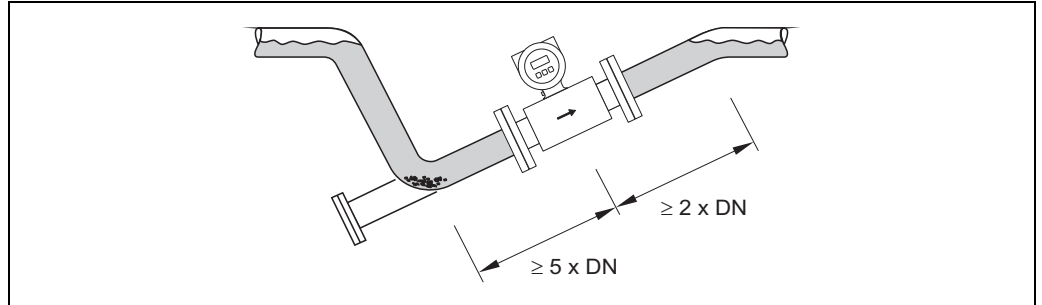
Partially filled pipes with gradients necessitate a drain-type configuration.

The empty pipe detection function (EPD) provides additional security in detecting empty or partially filled pipes.



Caution!

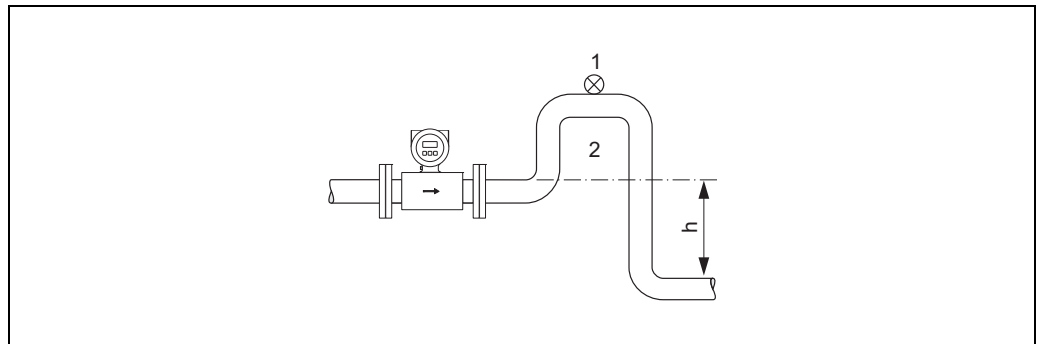
Risk of solids accumulating. Do not install the sensor at the lowest point in the drain. It is advisable to install a cleaning valve.



Installation with partially filled pipes

Down pipes

Install a siphon or a vent valve downstream of the sensor in down pipes $h \geq 5 \text{ m}$ (16.4 ft). This precaution is to avoid low pressure and the consequent risk of damage to the lining of the measuring tube. This measure also prevents the liquid current stopping in the pipe which could cause air locks. Information on the pressure tightness of the measuring tube lining → 17, Section "Pressure tightness".



Installation measures for vertical pipes

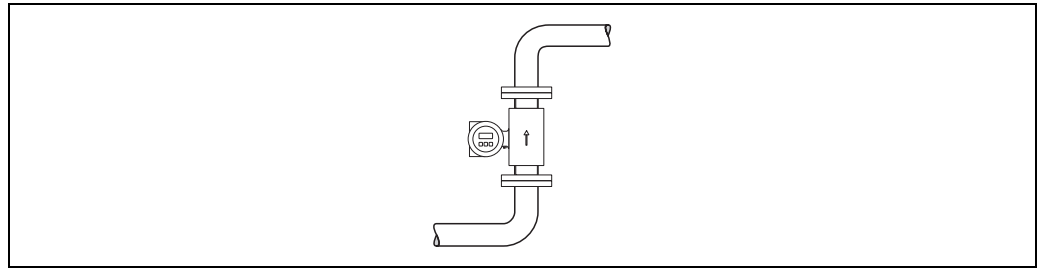
- 1 Vent valve
- 2 Pipe siphon
- h Length of the down pipe

Orientation

An optimum orientation helps avoid gas and air accumulations and deposits in the measuring tube. However, the measuring device also offers the additional function of empty pipe detection (EPD) for detecting partially filled measuring tubes or if outgassing fluids or fluctuating operating pressures are present.

Vertical orientation

This is the ideal orientation for self-emptying piping systems and for use in conjunction with empty pipe detection.



Vertical orientation

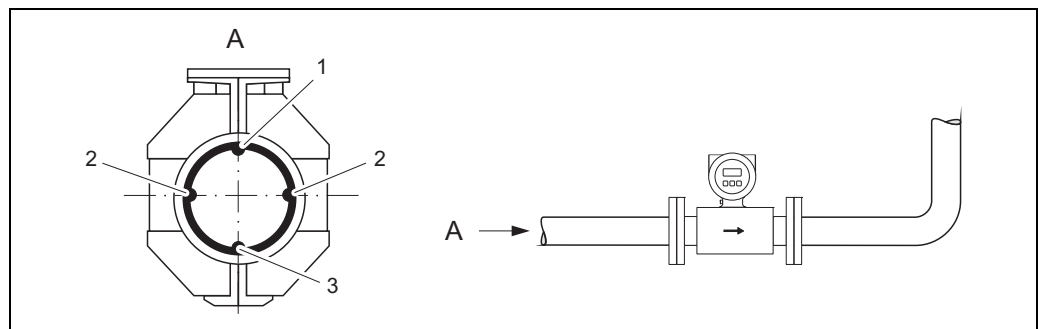
Horizontal orientation

The measuring electrode axis should be horizontal. This prevents brief insulation of the two measuring electrodes by entrained air bubbles.



Caution!

Empty pipe detection only works correctly with horizontal orientation if the transmitter housing is facing upwards. Otherwise there is no guarantee that empty pipe detection will respond if the measuring tube is only partially filled or empty.



Horizontal orientation

- 1 EPD electrode for empty pipe detection
- 2 Measuring electrodes for signal detection
- 3 Reference electrode for potential equalization

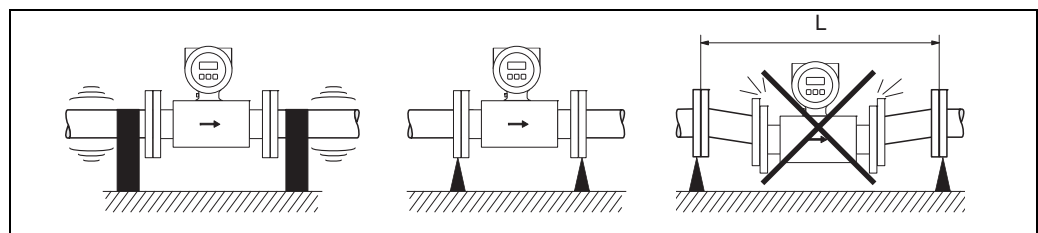
Vibrations

Secure the piping and the sensor if vibration is severe.



Caution!

If vibrations are too severe, we recommend the sensor and transmitter be mounted separately. Information on the permitted shock and vibration resistance → 15, Section "Shock and vibration resistance".



Measures to prevent vibration of the measuring device

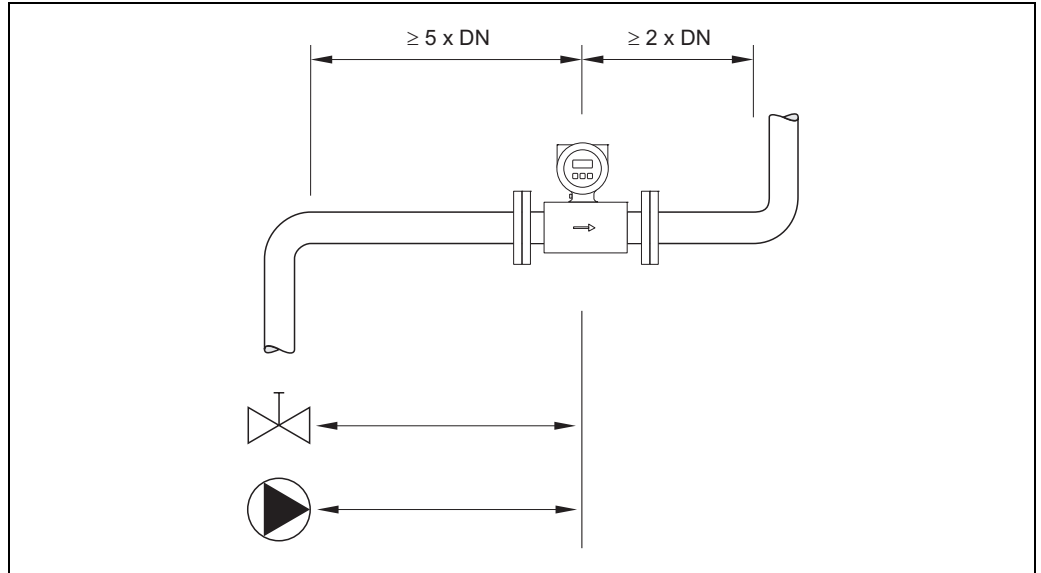
$L > 10 \text{ m (33 ft)}$

Inlet and outlet run

If possible, install the sensor well clear of assemblies such as valves, T-pieces, elbows etc.

Note the following inlet and outlet runs to comply with measuring accuracy specifications:

- Inlet run: $\geq 5 \times \text{DN}$
- Outlet run: $\geq 2 \times \text{DN}$



Inlet and outlet run

A0003210

Adapters

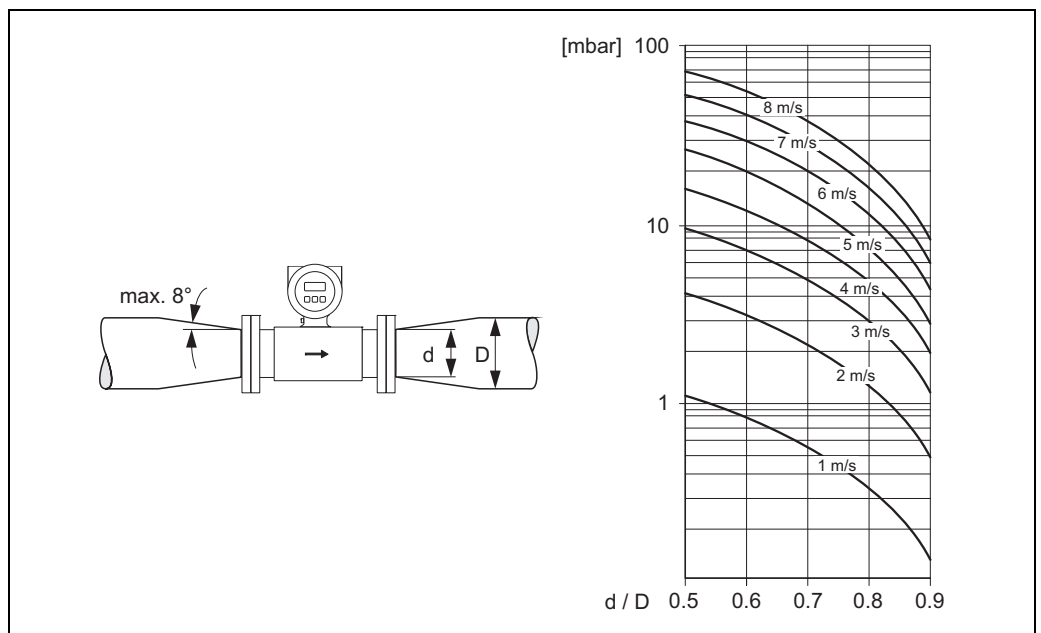
Suitable adapters to DIN EN 545 (double-flange reducers) can be used to install the sensor in larger-diameter pipes. The resultant increase in the rate of flow improves measuring accuracy with very slow-moving fluids. The nomogram shown here can be used to calculate the pressure loss caused by reducers and expanders.



Note!

The nomogram only applies to liquids of viscosity similar to water.

1. Calculate the ratio of the diameters d/D .
2. From the nomogram read off the pressure loss as a function of flow velocity (downstream from the reduction) and the d/D ratio.



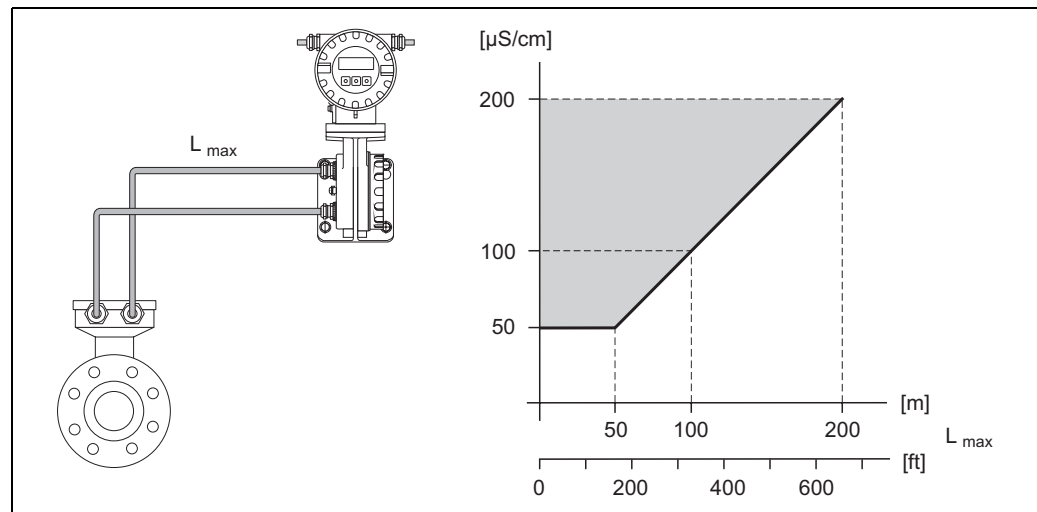
Pressure loss due to adapters

A0003213

Length of connecting cable

When mounting the remote version, please note the following to achieve correct measuring results:

- Fix cable run or lay in armored conduit. Cable movements can falsify the measuring signal especially in the case of low fluid conductivities.
- Route the cable well clear of electrical machines and switching elements.
- If necessary, ensure potential equalization between sensor and transmitter.
- The permitted cable length L_{\max} is determined by the fluid conductivity. A minimum conductivity of $50 \mu\text{S}/\text{cm}$ is needed for all fluids.
- When the empty pipe detection function is switched on (EPD), the maximum connecting cable length is 10 m (33 ft).



Permitted length of connecting cable for remote version

Area marked in gray = permitted range; L_{\max} = length of connecting cable in [m] ([ft]); fluid conductivity in [$\mu\text{S}/\text{cm}$]

Operating conditions: Environment

Ambient temperature range

Transmitter

- -20 to +60 °C (-4 to +140 °F)

Sensor

- Flange material carbon steel: -10 to +60 °C (14 to +140 °F)
- Flange material stainless steel: -40 to +60 °C (-40 to +140 °F)



Caution!

The permitted temperature range of the measuring tube lining may not be undershot or overshot (→ 16, Section "Medium temperature range").

Please note the following points:

- Install the device in a shady location. Avoid direct sunlight, particularly in warm climatic regions.
- The transmitter must be mounted separate from the sensor if both the ambient and fluid temperatures are high.

Storage temperature

The storage temperature corresponds to the operating temperature range of the measuring transmitter and the appropriate measuring sensors.



Caution!

- The measuring device must be protected against direct sunlight during storage in order to avoid unacceptably high surface temperatures.
- A storage location must be selected where moisture does not collect in the measuring device. This will help prevent fungus and bacteria infestation which can damage the liner.

Degree of protection

- Standard: IP 67 (NEMA 4X) for transmitter and sensor.
- Optional: IP 68 (NEMA 6P) for sensor for remote version.
- For information regarding applications where the device is buried directly in the soil or is installed in a flooded wastewater basin please contact your local Endress+Hauser Sales Center.

Shock and vibration resistance

Acceleration up to 2 g following IEC 600 68-2-6

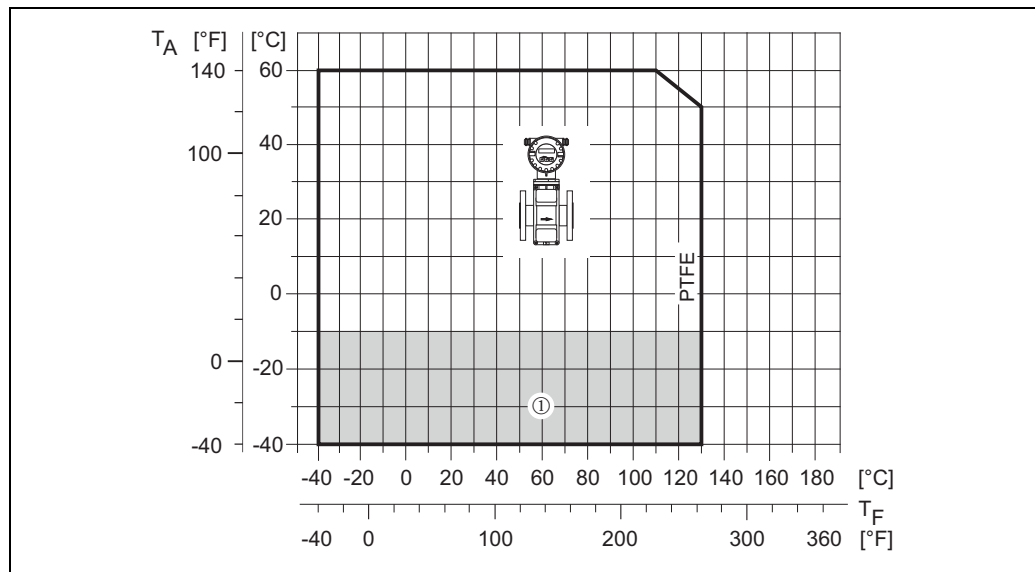
Electromagnetic compatibility (EMC)

- As per IEC/EN 61326
- Emission: to limit value for industry EN 55011

Operating conditions: Process

Medium temperature range

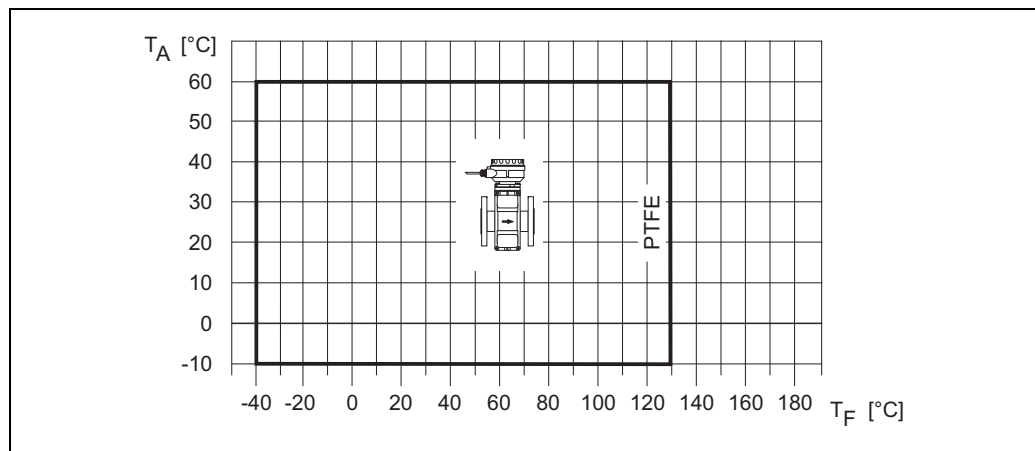
PTFE: -40 to +130 °C (-40 to +266 °F) (DN 25 to 600 / 1 to 24"), restrictions → see diagrams



A0003449

Compact version (T_A = ambient temperature range, T_F = fluid temperature)

① = gray area → temperature range from -10 to -40 °C (-14 to -40 °F) applies only to stainless steel flanges



A0003446

Remote version (T_A = ambient temperature range, T_F = fluid temperature)

Conductivity



The minimum conductivity is: $\geq 50 \mu\text{S}/\text{cm}$

Note!

In the remote version, the necessary minimum conductivity also depends on the cable length
(→ 14, Section "Length of connecting cable").

**Medium pressure range
(nominal pressure)**

- EN 1092-1 (DIN 2501)
 - PN 10 (DN 200 to 600 / 8 to 24")
 - PN 16 (DN 65 to 600 / 3 to 24")
 - PN 25 (DN 200 to 600 / 8 to 24")
 - PN 40 (DN 25 to 150 / 1 to 6")
- ANSI B 16.5
 - Class 150 (DN 1 to 24")
 - Class 300 (DN 1 to 6")
- JIS B2220
 - 10 K (DN 50 to 300 / 2 to 12")
 - 20 K (DN 25 to 300 / 1 to 12")
- AS 2129
 - Table E (DN 25, 50 / 1", 2")
- AS 4087
 - PN 16 (DN 50 / 2")

Pressure tightness*Measuring tube lining: PTFE*

Nominal diameter		Limit values for abs. pressure [mbar] ([psi]) at fluid temperatures:							
		25 °C (77 °F)		80 °C (176 °F)		100 °C (212 °F)		130 °C (266 °F)	
[mm]	[inch]	[mbar]	[psi]	[mbar]	[psi]	[mbar]	[psi]	[mbar]	[psi]
25	1"	0	0	0	0	0	0	100	1.45
32	–	0	0	0	0	0	0	100	1.45
40	1½"	0	0	0	0	0	0	100	1.45
50	2"	0	0	0	0	0	0	100	1.45
65	–	0	0	*	*	40	0.58	130	1.89
80	3"	0	0	*	*	40	0.58	130	1.89
100	4"	0	0	*	*	135	1.96	170	2.47
125	–	135	1.96	*	*	240	3.48	385	5.58
150	6"	135	1.96	*	*	240	3.48	385	5.58
200	8"	200	2.90	*	*	290	4.21	410	5.95
250	10"	330	4.79	*	*	400	5.80	530	7.69
300	12"	400	5.80	*	*	500	7.25	630	9.14
350	14"	470	6.82	*	*	600	8.70	730	10.6
400	16"	540	7.83	*	*	670	9.72	800	11.6
450	18"	Partial vacuum is impermissible!							
500	20"								
600	24"								

* No value can be specified.

Limiting flow

The diameter of the pipe and the flow rate determine the nominal diameter of the sensor.

The optimum flow velocity is between 2 to 3 m/s (6.5 to 9.8 ft/s). The velocity of flow (v), moreover, has to be matched to the physical properties of the fluid:

- $v < 2$ m/s (6.5 ft/s): for abrasive fluids such as potter's clay, lime milk, ore slurry etc.
- $v > 2$ m/s (6.5 ft/s): for fluids causing build-up such as wastewater sludges etc.

Flow characteristic values (SI units)					
Diameter		Recommended flow rate Min./max. full scale value (v ~ 0.3 or 10 m/s)	Factory settings		
[mm]	[inch]		Full scale value, current output (v ~ 2.5 m/s)	Pulse value (~ 2 pulses/s)	Low flow cut off (v ~ 0.04 m/s)
25	1"	9 to 300 dm ³ /min	75 dm ³ /min	0.50 dm ³	1.00 dm ³ /min
32	–	15 to 500 dm ³ /min	125 dm ³ /min	1.00 dm ³	2.00 dm ³ /min
40	1½"	25 to 700 dm ³ /min	200 dm ³ /min	1.50 dm ³	3.00 dm ³ /min
50	2"	35 to 1100 dm ³ /min	300 dm ³ /min	2.50 dm ³	5.00 dm ³ /min
65	–	60 to 2000 dm ³ /min	500 dm ³ /min	5.00 dm ³	8.00 dm ³ /min
80	3"	90 to 3000 dm ³ /min	750 dm ³ /min	5.00 dm ³	12.0 dm ³ /min
100	4"	145 to 4700 dm ³ /min	1200 dm ³ /min	10.0 dm ³	20.0 dm ³ /min
125	–	220 to 7500 dm ³ /min	1850 dm ³ /min	15.0 dm ³	30.0 dm ³ /min
150	6"	20 to 600 m ³ /h	150 m ³ /h	0.03 m ³	2.50 m ³ /h
200	8"	35 to 1100 m ³ /h	300 m ³ /h	0.05 m ³	5.00 m ³ /h
250	10"	55 to 1700 m ³ /h	500 m ³ /h	0.05 m ³	7.50 m ³ /h
300	12"	80 to 2400 m ³ /h	750 m ³ /h	0.10 m ³	10.0 m ³ /h
350	14"	110 to 3300 m ³ /h	1000 m ³ /h	0.10 m ³	15.0 m ³ /h
400	16"	140 to 4200 m ³ /h	1200 m ³ /h	0.15 m ³	20.0 m ³ /h
450	18"	180 to 5400 m ³ /h	1500 m ³ /h	0.25 m ³	25.0 m ³ /h
500	20"	220 to 6600 m ³ /h	2000 m ³ /h	0.25 m ³	30.0 m ³ /h
600	24"	310 to 9600 m ³ /h	2500 m ³ /h	0.30 m ³	40.0 m ³ /h

Flow characteristic values (US units)					
Diameter		Recommended flow rate Min./max. full scale value (v ~ 0.3 or 10 m/s)	Factory settings		
[inch]	[mm]		Full scale value, current output (v ~ 2.5 m/s)	Pulse value (~ 2 pulses/s)	Low flow cut off (v ~ 0.04 m/s)
1"	25	2.5 to 80 gal/min	18 gal/min	0.20 gal	0.25 gal/min
1½"	40	7 to 190 gal/min	50 gal/min	0.50 gal	0.75 gal/min
2"	50	10 to 300 gal/min	75 gal/min	0.50 gal	1.25 gal/min
3"	80	24 to 800 gal/min	200 gal/min	2.00 gal	2.50 gal/min
4"	100	40 to 1250 gal/min	300 gal/min	2.00 gal	4.00 gal/min
6"	150	90 to 2650 gal/min	600 gal/min	5.00 gal	12.0 gal/min
8"	200	155 to 4850 gal/min	1200 gal/min	10.0 gal	15.0 gal/min
10"	250	250 to 7500 gal/min	1500 gal/min	15.0 gal	30.0 gal/min
12"	300	350 to 10600 gal/min	2400 gal/min	25.0 gal	45.0 gal/min
14"	350	500 to 15000 gal/min	3600 gal/min	30.0 gal	60.0 gal/min
16"	400	600 to 19000 gal/min	4800 gal/min	50.0 gal	60.0 gal/min
18"	450	800 to 24000 gal/min	6000 gal/min	50.0 gal	90.0 gal/min
20"	500	1000 to 30000 gal/min	7500 gal/min	75.0 gal	120.0 gal/min
24"	600	1400 to 44000 gal/min	10500 gal/min	100.0 gal	180.0 gal/min

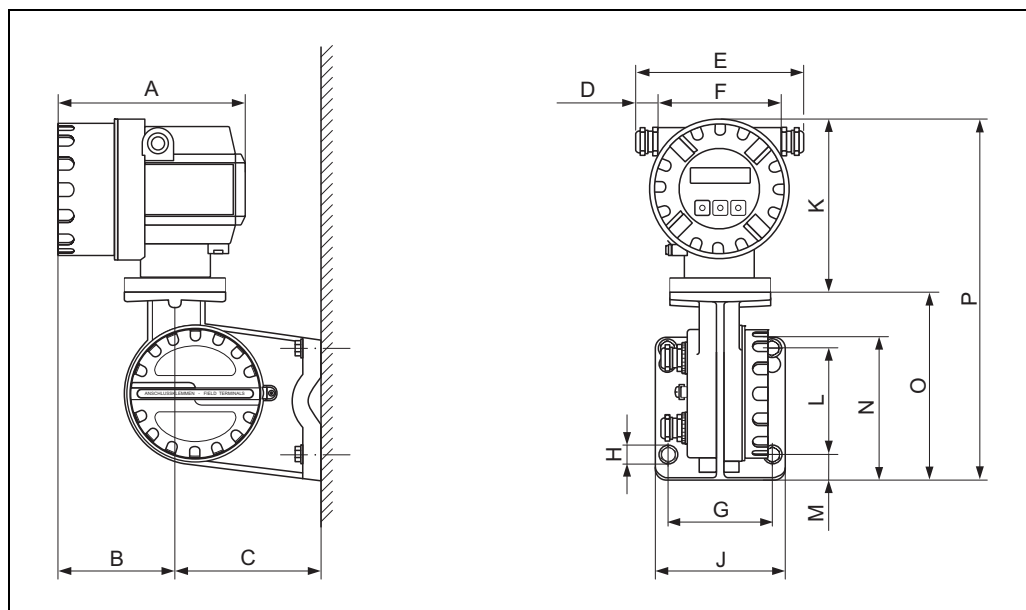
Pressure loss

- No pressure loss if the sensor is installed in a pipe with the same nominal diameter.
- Pressure losses for configurations incorporating adapters according to DIN EN 545 (→ [13](#), Section "Adapters").

Mechanical construction

Design, dimensions

Transmitter, remote version



A0010718

Transmitter dimensions, remote version

Dimensions in SI units

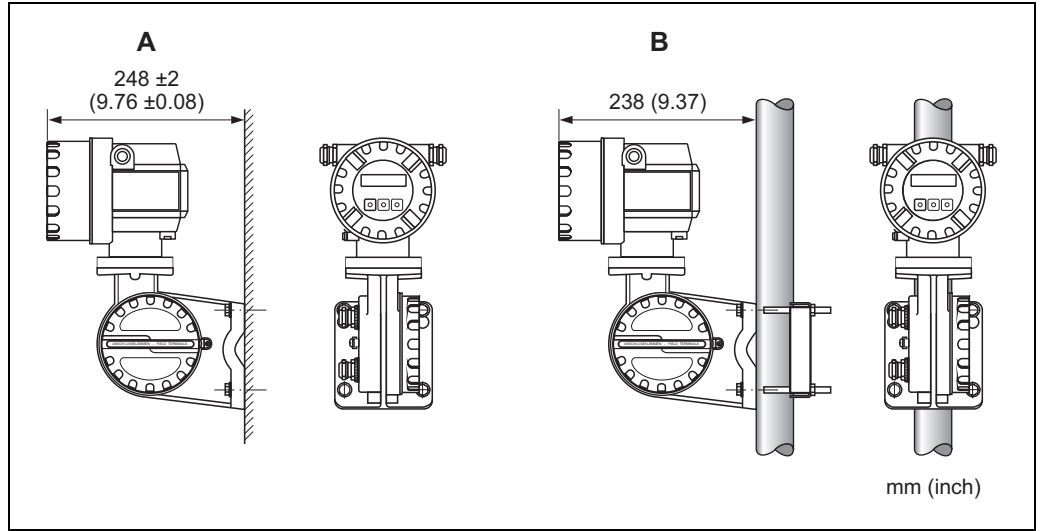
A	B	C	D	E	F	G	Ø H
178	113	135	20 to 30	161 to 181	121	100	8.6 (M8)
J	K	L	M	N	O	P	
123	150	100	25	133	177.5	327.5	

All dimensions in [mm]

Dimensions in US units

A	B	C	D	E	F	G	Ø H
7.00	4.45	5.31	0.79 to 1.81	6.34 to 7.13	4.76	3.94	0.34 (M8)
J	K	L	M	N	O	P	
4.84	5.90	3.94	0.98	5.24	6.99	12.89	

All dimensions in [inch]

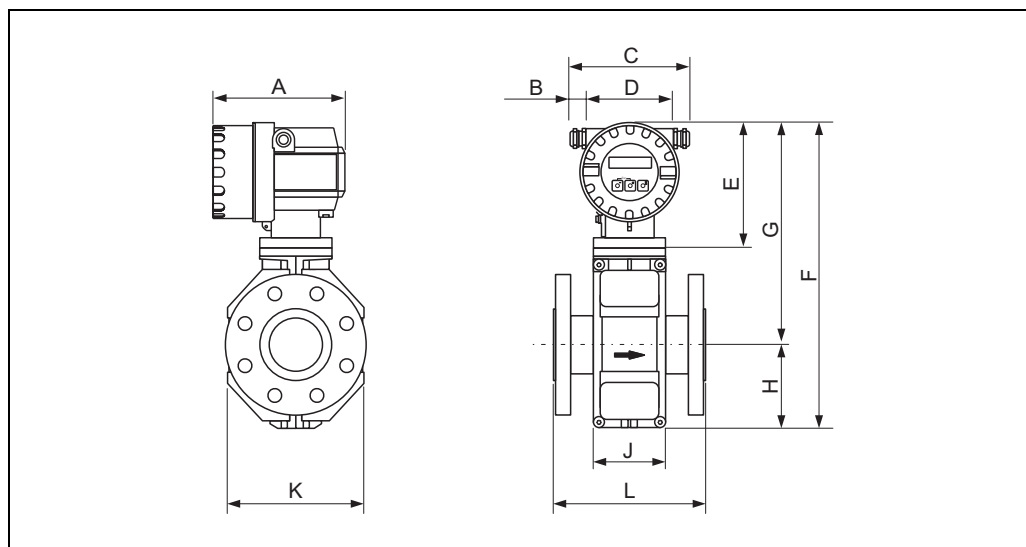


A0010719

Transmitter mounting, remote version

- A *Direct wall mounting*
- B *Pipe mounting*

Compact version



A0012464

Dimensions in SI units

DN EN (DIN) / JIS / AS ²⁾	L ¹⁾	A	B	C	D	E	F	G	H	J	K
25	200	178	20 to 30	161 to 181	113	150	341	257	84	94	120
32	200						341	257	84	94	120
40	200						341	257	84	94	120
50	200						341	257	84	94	120
65	200						391	282	109	94	180
80	200						391	282	109	94	180
100	250						391	282	109	94	180
125	250						472	322	150	140	260
150	300						472	322	150	140	260
200	350						527	347	180	156	324
250	450						577	372	205	156	400
300	500						627	397	230	166	460
350	550						738.5	456.5	282	276	564
400	600						790.5	482.5	308	276	616
450	650						840.5	507.5	333	292	666
500	650						891.5	533.5	358.5	292	717
600	780	995.5	585.5	410.5	402	821					

¹⁾ The length (L) is regardless of the pressure rating selected. Fitting length to DVGW.

²⁾ Only DN 80, 100 and 150 to 300 are available for flanges according to AS.

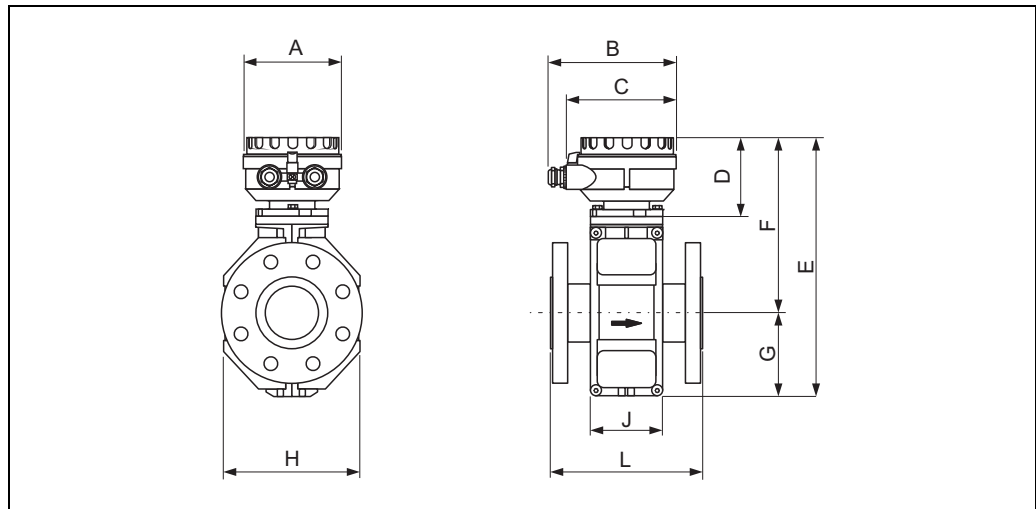
All dimensions in [mm]

Dimensions in US units

DN ANSI	L ¹⁾	A	B	C	D	E	F	G	H	J	K
1"	7.87	7.01	0.79 to 1.81	6.34 to 7.13	4.45	5.91	13.4	10.1	3.32	3.70	4.72
1½"	7.87						13.4	10.1	3.32	3.70	4.72
2"	7.87						13.4	10.1	3.32	3.70	4.72
3"	7.87						15.4	11.1	4.30	3.70	7.10
4"	9.84						15.4	11.1	4.30	3.70	7.10
6"	11.8						18.6	12.7	5.91	5.51	10.2
8"	13.8						20.8	13.7	7.10	6.14	12.8
10"	17.7						22.7	14.7	8.08	6.14	15.8
12"	19.7						24.7	15.6	9.06	6.54	18.1
14"	21.7						29.1	18.0	11.1	10.9	22.2
16"	23.6						31.1	19.0	12.1	10.9	24.3
18"	25.6						33.1	20.0	333	11.5	26.2
20"	25.6						35.1	21.0	13.1	11.5	28.2
24"	30.7						39.2	23.1	16.2	15.8	32.3

¹⁾ The length (L) is regardless of the pressure rating selected. Fitting length to DVGW.
All dimensions in [inch]

Sensor, remote version



A0012462

Dimensions in SI units

DN EN (DIN) / JIS / AS ²⁾	L ¹⁾	A	B	C	D	E	F	G	H	J
25	200	129	163	143	102	286	202	84	120	94
32	200					286	202	84	120	94
40	200					286	202	84	120	94
50	200					286	202	84	120	94
65	200					336	227	109	180	94
80	200					336	227	109	180	94
100	250					336	227	109	180	94
125	250					417	267	150	260	140
150	300					417	267	150	260	140
200	350					472	292	180	324	156
250	450					522	317	205	400	156
300	500					572	342	230	460	166
350	550					683.5	401.5	282	564	276
400	600					735.5	427.5	308	616	276
450	650					785.5	452.5	333	666	292
500	650					836.5	478	358.5	717	292
600	780	940.5	530	410.5	821	402				

¹⁾ The length (L) is regardless of the pressure rating selected. Fitting length to DVGW.

²⁾ Only DN 80, 100 and 150 to 300 are available for flanges according to AS.

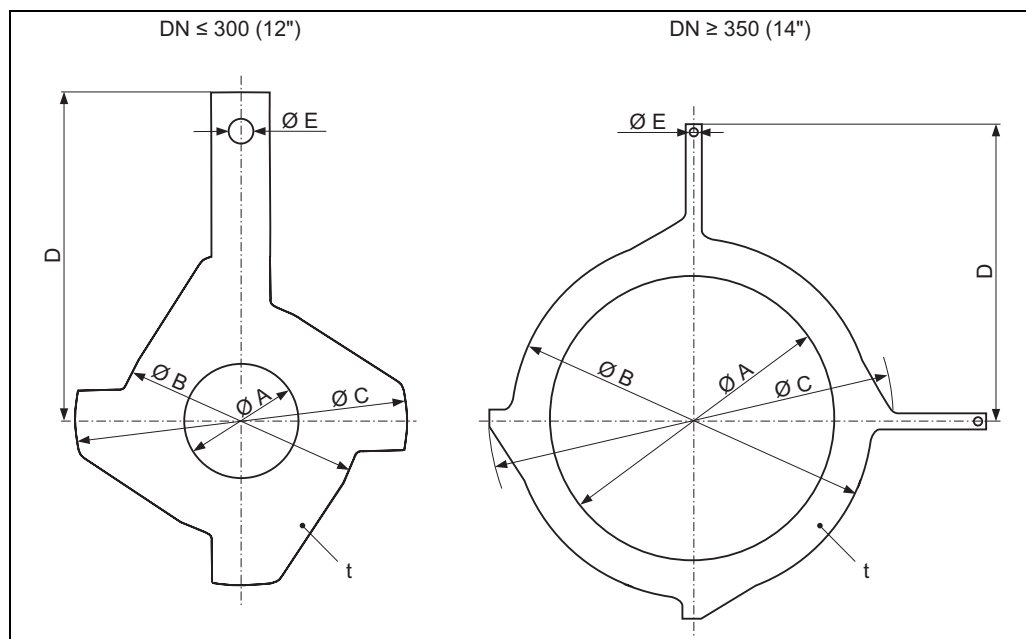
All dimensions in [mm]

Dimensions in US units

DN ANSI	L ¹⁾	A	B	C	D	E	F	G	H	J
1"	7.87	5.08	6.42	5.63	4.02	11.3	7.95	3.32	4.72	3.70
1½"	7.87					11.3	7.95	3.32	4.72	3.70
2"	7.87					11.3	7.95	3.32	4.72	3.70
3"	7.87					13.2	8.94	4.30	7.10	3.70
4"	9.84					13.2	8.94	4.30	7.10	3.70
6"	11.8					16.4	10.5	5.91	10.2	5.51
8"	13.8					18.6	11.5	7.10	12.8	6.14
10"	17.7					20.6	12.5	8.08	15.8	6.14
12"	19.7					22.5	13.5	9.06	18.1	6.54
14"	21.7					26.9	15.8	11.1	22.2	10.9
16"	23.6					29.0	16.8	12.1	24.3	10.9
18"	25.6					30.9	17.8	13.3	26.2	11.5
20"	25.6					32.9	18.8	13.1	28.2	11.5
24"	30.7					37.0	20.9	16.2	32.3	15.8

¹⁾ The length (L) is regardless of the pressure rating selected. Fitting length to DVGW.
All dimensions in [inch]

Ground disk for flange connections



A0003221

Dimensions (SI units)

DN ¹⁾ EN (DIN) / JIS / AS ²⁾	A	B	C	D	E	t
25	26	62	77.5	87.5	6.5	2
32	35	80	87.5	94.5		
40	41	82	101	103		
50	52	101	115.5	108		
65	68	121	131.5	118		
80	80	131	154.5	135		
100	104	156	186.5	153		
125	130	187	206.5	160		
150	158	217	256	184		
200	206	267	288	205		
250	260	328	359	240		
300 ³⁾	312	375	413	273		
300 ⁴⁾	310	375	404	268		
350 ³⁾	343	433	479	365	9.0	
375 ³⁾	393	480	542	395		
400 ³⁾	393	480	542	395		
450 ³⁾	439	538	583	417		
500 ³⁾	493	592	650	460		
600 ³⁾	593	693	766	522		

¹⁾ Ground disks at DN 25 to 250 (1 to 10") can be used for all flange standards/pressure ratings.

²⁾ Only DN 25 and DN 50 are available for flanges according to AS.

³⁾ PN 10/16

⁴⁾ PN 25, JIS 10K/20K

All dimensions in [mm]

Dimensions (US units)

DN ¹⁾ ANSI	A	B	C	D	E	t
1"	1.02	2.44	3.05	3.44	0.26	0.08
1½"	1.61	3.23	3.98	4.06		
2"	2.05	3.98	4.55	4.25		
3"	3.15	5.16	6.08	5.31		
4"	4.09	6.14	7.34	6.02		
6"	6.22	8.54	10.08	7.24		
8"	8.11	10.5	11.3	8.07		
10"	10.2	12.9	14.1	9.45		
12"	12.3	14.8	16.3	10.8		
14"	13.5	17.1	18.9	14.4	0.35	
15"	15.45	18.9	21.3	15.6		
16"	15.45	18.9	21.3	15.6		
18"	17.3	21.2	23.0	16.4		
20"	19.4	23.3	25.6	18.1		
24"	23.4	27.3	30.1	20.6		

¹⁾ Ground disks can be used for all flange standards/pressure ratings.
All dimensions in [inch]

Weight

Weight in SI units

Weight data in kg										
Nominal diameter		Compact version			Remote version (without cable)					
		EN (DIN) / AS ¹⁾	JIS	ANSI / AWWA	Sensor			Transmitter		
[mm]	[inch]				EN (DIN) / AS ¹⁾	JIS	ANSI / AWWA	Wall-mount housing		
25	1"	PN 40	7.3	7.3	7.3	PN 40	5.3	5.3	5.3	6.0
32	–		8.0	7.3	–		6.0	5.3	–	
40	1½"		9.4	8.3	9.4		7.4	6.3	7.4	
50	2"	10.6	9.3	10.6	8.6	7.3	8.6			
65	–	PN 16	12.0	11.1	–	PN 16	10.0	9.1	–	
80	3"		14.0	12.5	14.0		12.0	10.5	12.0	
100	4"		16.0	14.7	16.0		14.0	12.7	14.0	
125	–	Class 150	21.5	21.0	–	Class 150	19.5	19.0	–	
150	6"		25.5	24.5	25.5		23.5	22.5	23.5	
200	8"		45	41.9	45		43	39.9	43	
250	10"	PN 10	65	69.4	75	PN 10	63	67.4	73	
300	12"		70	72.3	110		68	70.3	108	
350	14"		115	–	175		113	–	173	
400	16"	Class 150	135	–	205	Class 150	133	–	203	
450	18"		175	–	255		173	–	253	
500	20"		175	–	285		173	–	283	
600	24"	235	–	405	233	–	403			

¹⁾ For flanges to AS, only DN 25 and 50 are available.

- Transmitter (compact version): 1.8 kg
- Weight data valid for standard pressure ratings and without packaging material.

Weight in US units (only ANSI / AWWA)

Nominal diameter		Compact version		Remote version (without cable)		
[mm]	[inch]	ANSI / AWWA		Sensor	Transmitter	
		ANSI / AWWA		ANSI / AWWA	Wall-mount housing	
25	1"	Class 150	16.1	Class 150	11.7	13.2
40	1½"		20.7		16.3	
50	2"		23.4		19.0	
80	3"		30.9		26.5	
100	4"		35.3		30.9	
150	6"		56.2		51.8	
200	8"		99.2		94.8	
250	10"		165.4		161.0	
300	12"		242.6		238.1	
350	14"		385.9		381.5	
400	16"		452.0		447.6	
450	18"		562.3		557.9	
500	20"		628.4		624.0	
600	24"		893.0		888.6	

■ Transmitter (compact version): 3.9 lbs
 ■ Weight data valid for standard pressure ratings and without packaging material.

Measuring tube specifications

Diameter		Pressure rating					Internal diameter			
[mm]	[inch]	EN (DIN)	AS 2129	AS 4087	ANSI	JIS	PFA		PTFE	
		[bar]			[lbs]		[mm]	[inch]	[mm]	[inch]
25	1"	PN 40	Table E	PN 16	Cl.150	20K	23	0.91	26	1.02
32	–	PN 40	Table E	–	–	20K	32	1.26	35	1.38
40	1½"	PN 40	–	–	Cl.150	20K	36	1.42	41	1.61
50	2"	PN 40	–	–	Cl.150	10K	48	1.89	52	2.05
65	–	PN 16	–	–	–	10K	63	2.48	67	2.64
80	3"	PN 16	–	–	Cl.150	10K	75	2.95	80	3.15
100	4"	PN 16	–	–	Cl.150	10K	101	3.98	104	4.09
125	–	PN 16	–	–	–	10K	126	4.96	129	5.08
150	6"	PN 16	–	–	Cl.150	10K	154	6.06	156	6.14
200	8"	PN 10	–	–	Cl.150	10K	201	7.91	202	7.95
250	10"	PN 10	–	–	Cl.150	10K	–	–	256	10.1
300	12"	PN 10	–	–	Cl.150	10K	–	–	306	12.0
350	14"	PN 10	–	–	Cl.150	–	–	–	337	13.3
400	16"	PN 10	–	–	Cl.150	–	–	–	387	15.2
450	18"	PN 10	–	–	Cl.150	–	–	–	432	17.0
500	20"	PN 10	–	–	Cl.150	–	–	–	487	19.2
600	24"	PN 10	–	–	Cl.150	–	–	23	593	23.3

Material

- Housing: powder-coated die-cast aluminum
- Sensor housing
 - DN 25 to 300 (1 to 12"): powder-coated die-cast aluminum
 - DN 350 to 2000 (14 to 78"): with protective lacquering
- Measuring tube
 - DN ≤ 300 (12"): stainless steel 1.4301 or 1.4306/304L;
(Flange material: carbon steel with Al/Zn protective coating)
 - DN ≥ 350 (14"): stainless steel 1.4301 or 1.4306/304L;
(Flange material: carbon steel with protective lacquering)
- Electrodes: 1.4435/316L, Alloy C-22
- Flanges
 - EN 1092-1 (DIN2501): RSt37-2 (S235JRG2); C22, Fe 410W B
(DN ≤ 300 (12"): with Al/Zn protective coating; DN ≥ 350 (14") with protective lacquering)
 - ANSI: A105
(DN ≤ 300 (12"): with Al/Zn protective coating; DN ≥ 350 (14") with protective lacquering)
 - JIS: RSt37-2 (S235JRG2); HII; 1.0425
(DN ≤ 300 (12"): with Al/Zn protective coating; DN ≥ 350 (14") with protective lacquering)
 - AS 2129
 - (DN 25, 80, 100, 150...1200 / 1", 3", 4", 6...48"): A105 or RSt37-2 (S235JRG2)
 - (DN 50, 80, 350, 400, 500 / 2", 3", 14", 16", 20"): A105 or St44-2 (S275JR)
 - AS 4087: A105 or St44-2 (S275JR)
(DN ≤ 300 (12"): with Al/Zn protective coating; DN ≥ 350 (14") with protective lacquering)
- Seals: to DIN EN 1514-1
- Ground disks: 1.4435/316L or Alloy C-22

Material load diagram

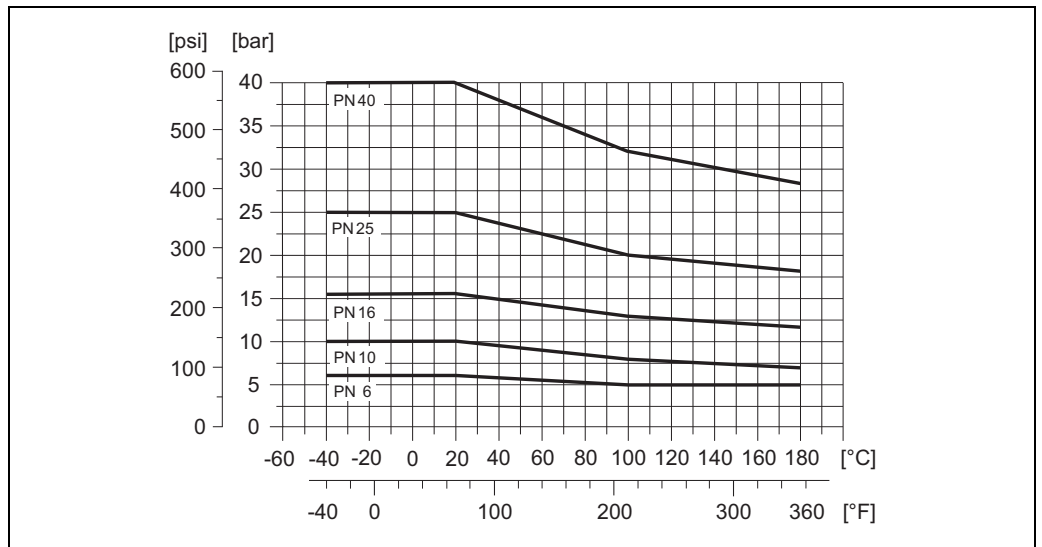


Caution!

The following diagrams contain material load diagrams (reference curves) for flange materials with regard to the medium temperature. However, the maximum medium temperatures permitted always depend on the lining material of the sensor and/or the sealing material (→ 16).

Flange connection to EN 1092-1 (DIN 2501)

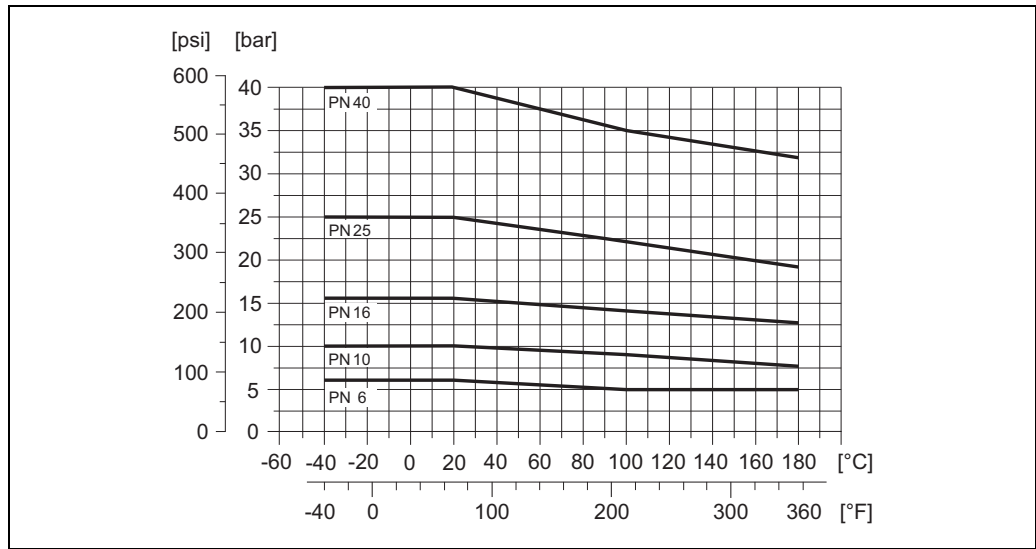
Material: RSt37-2 (S235JRG2) / C22 / Fe 410W B



A0005594

Flange connection to EN 1092-1 (DIN 2501)

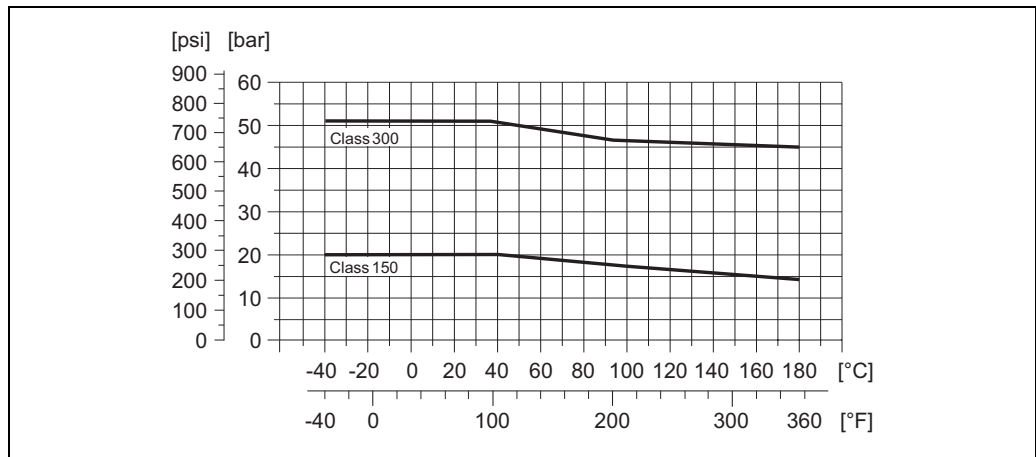
Material: 316L / 1.4571



A0005304

Flange connection to ANSI B16.5

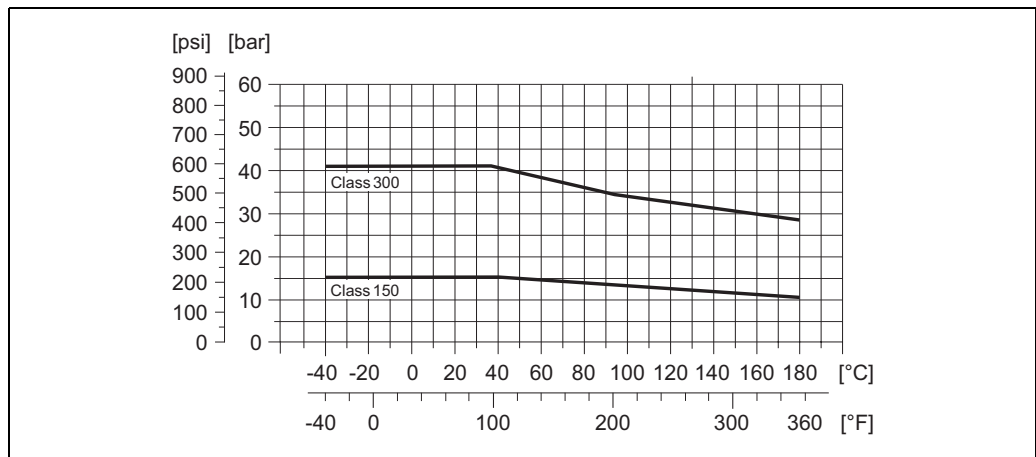
Material: A 105



A0005326

Flange connection to ANSI B16.5

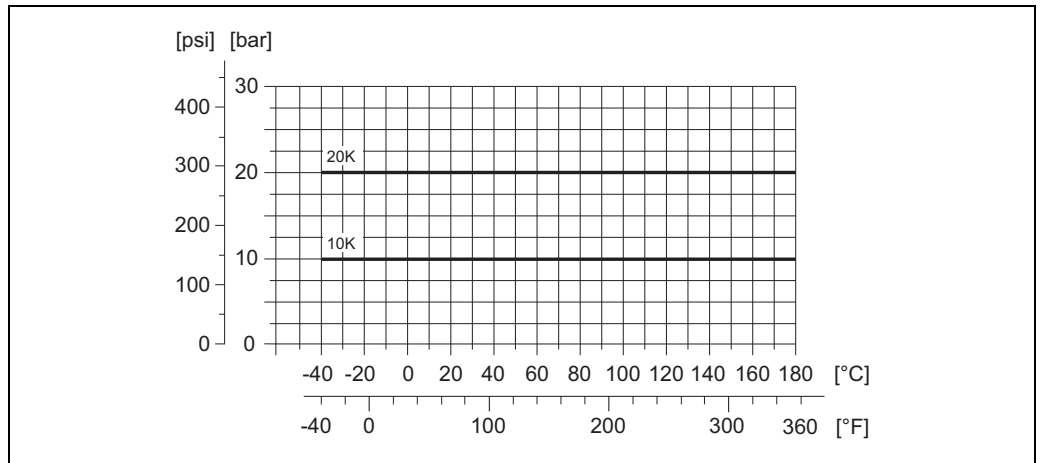
Material: F316L



A0005307

Flange connection to JIS B2220

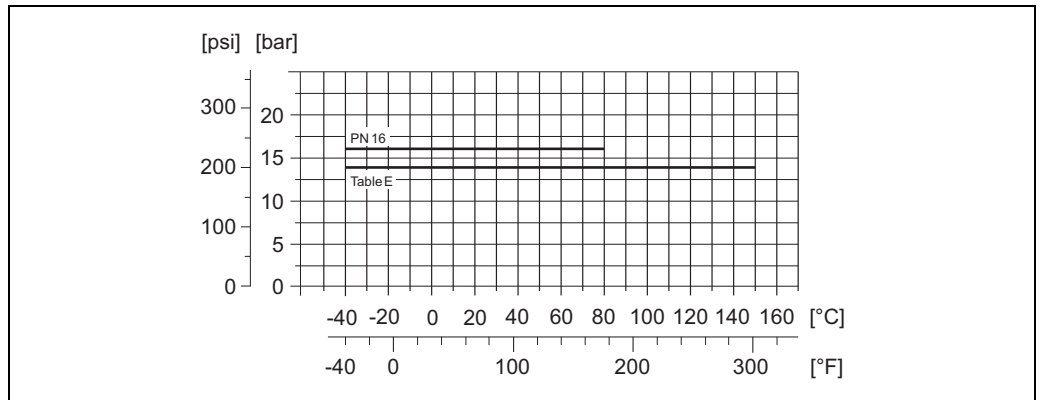
Material: RSt37-2 (S235)RG2 / HII / 1.0425



A0003228

Flange connection to AS 2129 Table E or AS 4087 PN 16

Material: A105 / RSt37-2 (S235)RG2 / St44-2 (S275)R



A0005595

Fitted electrodes

Measuring electrodes, reference electrodes and empty pipe detection electrodes available as standard with:

- 1.4435
- Alloy C-22

Process connections

Flange connection:

- EN 1092-1 (DIN 2501), DN ≤ 300 (12") form A, DN ≥ 350 (14") form B
(Dimensions to DIN 2501, DN 65 PN 16 and DN 600 (24") PN 16 exclusively to EN 1092-1)
- ANSI B16.5
- JIS B2220
- AS 2129 Table E
- AS 4087 PN 16

Surface roughness

Electrodes with 1.4435 (AISI 316L), Alloy C-22: ≤ 0.3 to 0.5 μm (≤ 11.8 to 19.7 μin)
(All data refer to parts in contact with medium)

Human interface

Display elements	<ul style="list-style-type: none"> ■ Liquid crystal display: unilluminated, two-line, 16 characters per line ■ Display (operating mode) preconfigured: volume flow and totalizer status ■ 1 totalizer
-------------------------	--

Operating elements	Local operation via three keys (◀, +, ▶)
---------------------------	--

Remote operation	Operation via HART protocol and FieldCare
-------------------------	---

Certificates and approvals

CE mark	The measuring system is in conformity with the statutory requirements of the EC Directives. Endress+Hauser confirms successful testing of the device by affixing to it the CE mark.
----------------	---

C-tick mark	The measuring system meets the EMC requirements of the "Australian Communications and Media Authority (ACMA)".
--------------------	--

Ex approval	Information about currently available Ex versions (ATEX, FM, CSA etc.) can be supplied by your Endress +Hauser Sales Center on request. All explosion protection data are given in a separate documentation which is available upon request.
--------------------	--

Other standards and guidelines	<ul style="list-style-type: none"> ■ EN 60529 Degrees of protection by housing (IP code) ■ EN 61010 Protection Measures for Electrical Equipment for Measurement, Control, Regulation and Laboratory Procedures. ■ IEC/EN 61326 "Emission in accordance with requirements for Class A". Electromagnetic compatibility (EMC requirements) ■ ANSI/ISA-S82.01 Safety Standard for Electrical and Electronic Test, Measuring, Controlling and related Equipment - General Requirements Pollution degree 2, Installation Category II. ■ CAN/CSA-C22.2 No. 1010.1-92 Safety requirements for Electrical Equipment for Measurement and Control and Laboratory Use. Pollution degree 2, Installation Category II
---------------------------------------	---

Pressure measuring device approval	Measuring devices with a nominal diameter smaller than or equal to DN 25 correspond to Article 3(3) of the EC Directive 97/23/EC (Pressure Equipment Directive) and have been designed and manufactured according to good engineering practice. Where necessary (depending on the medium and process pressure), there are additional optional approvals to Category II/III for larger nominal diameters.
---	--

Ordering information

Your Endress+Hauser service organization can provide detailed ordering information and information on the order codes on request.

Accessories

Various accessories, which can be ordered separately from Endress+Hauser, are available for the transmitter and the sensor. Your Endress+Hauser service organization can provide detailed information on the order codes in question.

Documentation

- System Information Promag 10 (SI042D/06)
- Operating Instructions Promag 10 (BA082D/06)

Registered trademarks

HART®

Registered trademark of the HART Communication Foundation, Austin, USA

FieldCare®, Fieldcheck®

Registered or registration-pending trademarks of Endress+Hauser Flowtec AG, Reinach, CH

Instruments International

Endress+Hauser
Instruments International AG
Kaegenstrasse 2
4153 Reinach
Switzerland

Tel. +41 61 715 81 00
Fax +41 61 715 25 00
www.endress.com
info@ii.endress.com

Endress+Hauser 
People for Process Automation