

Liquipoint FTW33 Internal Launch

Reliable, non-invasive point level switch



Liquipoint FTW33



Clear application focus

- Flush-mounted, hygienic point level detection in liquids

Designed for ... Food & Beverage

Liquipoint FTW33

Sensor design

- Real flush-mounted
- No effect on product quality pieces of fruits, ...
- Easier and faster cleaning
- Small, hygienic, water tight (IP69K) enclosure
- No damage of ball, or wipers
- Tri-Clamp 1", 2"; DIN11851 DN25, DN40 couplings, 1/2", 3/4", 1" G threads, M24 adapter concept
- DC PNP



The unique and superior Liquipoint sensor



Conductive measuring principle

- 316L / PEEK. FDA Approved material, compliance to EU1935/2004
- $R_a < 0.76\mu\text{m}$, Almost flush design. 3-A and EHEDG approved
- Active Build up Compensation
- No Recalibration required when changing products
- Faster reaction time (e.g. pump protection) of 300ms

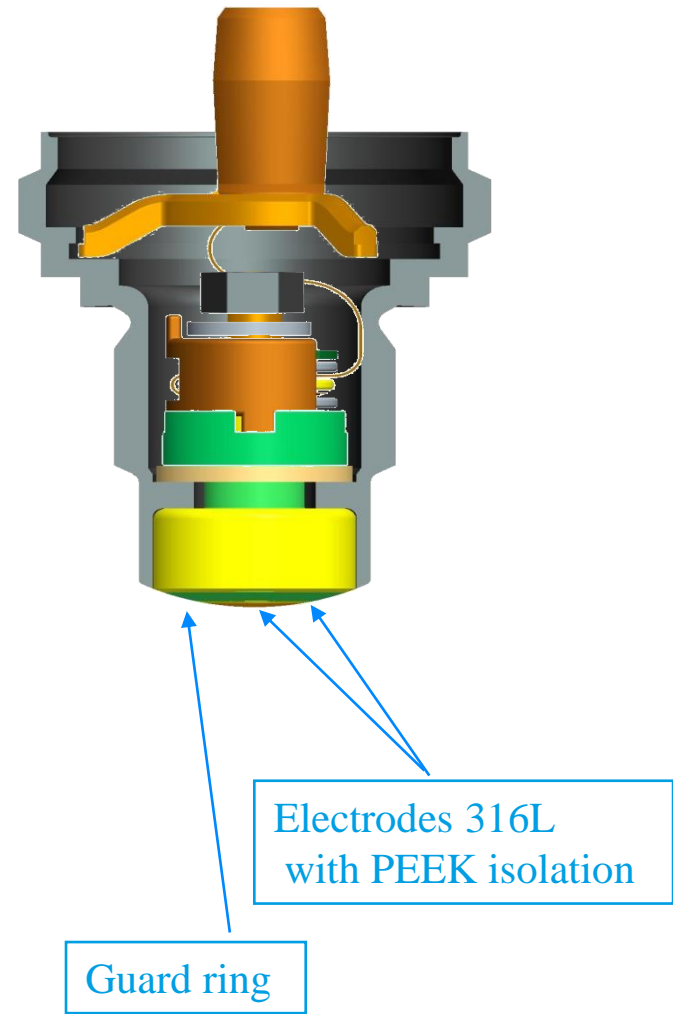
Measuring principle of the Liquipoint FTW33



Conductive & Capacitive
Reliability & User friendliness!

The Liquipoint FTW33 uses a combined measuring principle.
*extends the measuring capability and improves the reliability of the system a capacitive measuring mode

The sensor can compensate build-up, even non-conductive up to certain limits



The unique and superior Liquipoint sensor

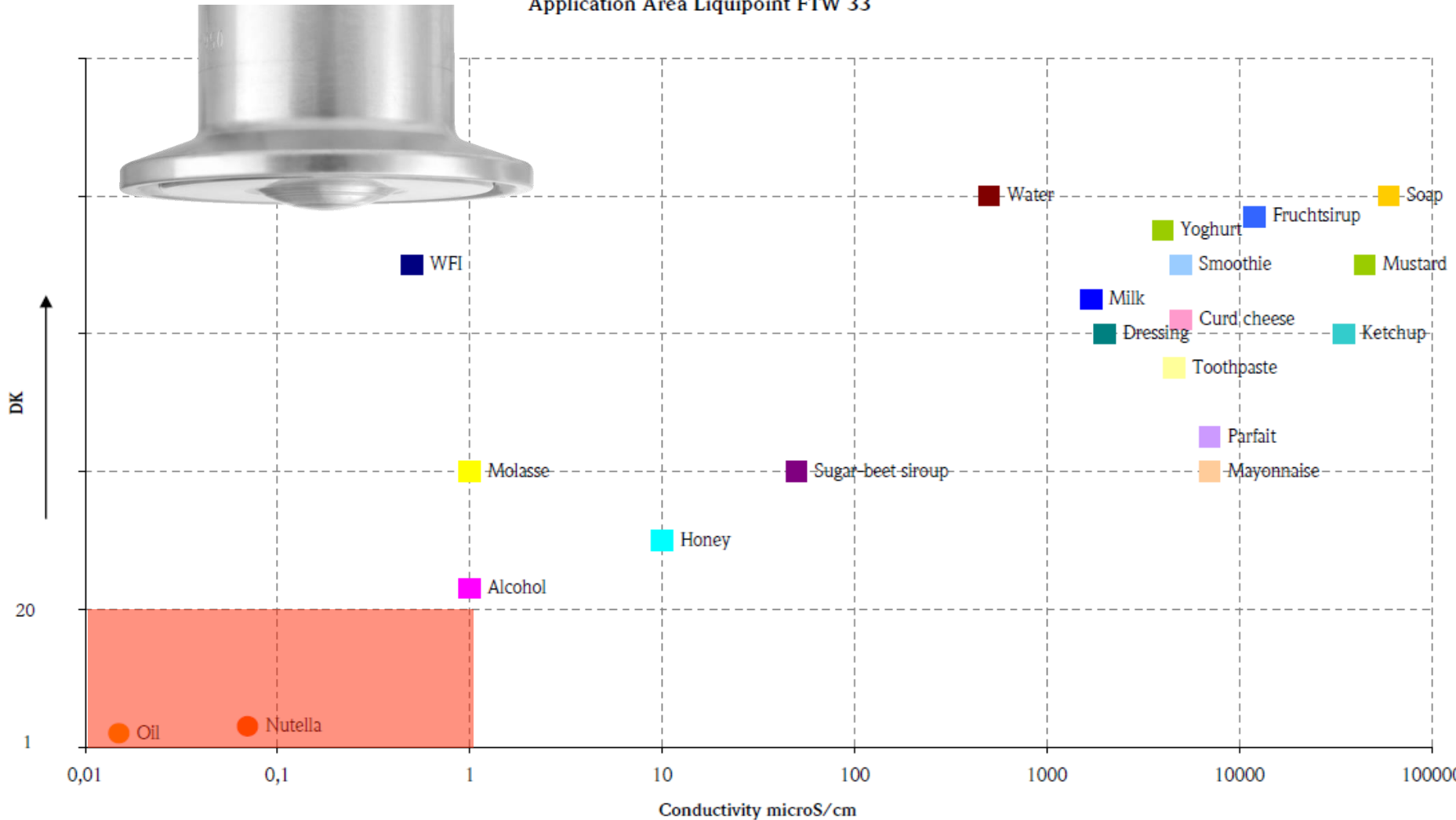


Conductive & measuring principle

- 316L / PEEK. FDA Approved material, compliance to EU1935/2004
- $Ra < 0.76\mu m$, Almost flush design. 3-A and EHEDG approved
- Active Build up Compensation
- No Recalibration required when changing products
- Faster reaction time (e.g. pump protection) of 300ms

Measuring range of the Liquipoint FTW33

Application Area Liquipoint FTW 33



Liquiphant and Liquipoint – Both have their strengths

Liquiphant



- Vibronic principle
- Universal use
- Self-monitoring
- 316L only
- Electropolishing possible
- Intrusive design

Liquipoint



- Conductive principle
- For conductive media only
- No self-monitoring
- 316L/PEEK
- Electropolishing impossible
- Flush design
- Pigging in pipes possible

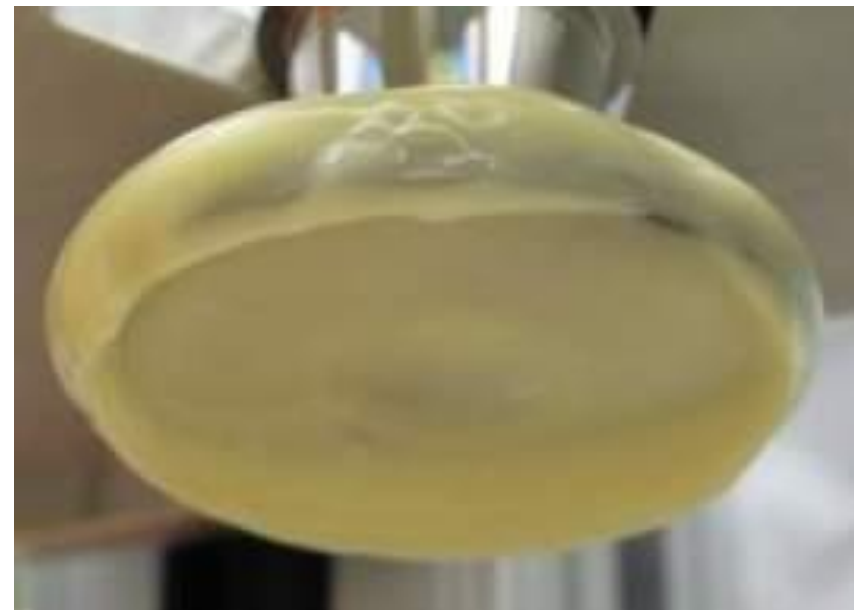
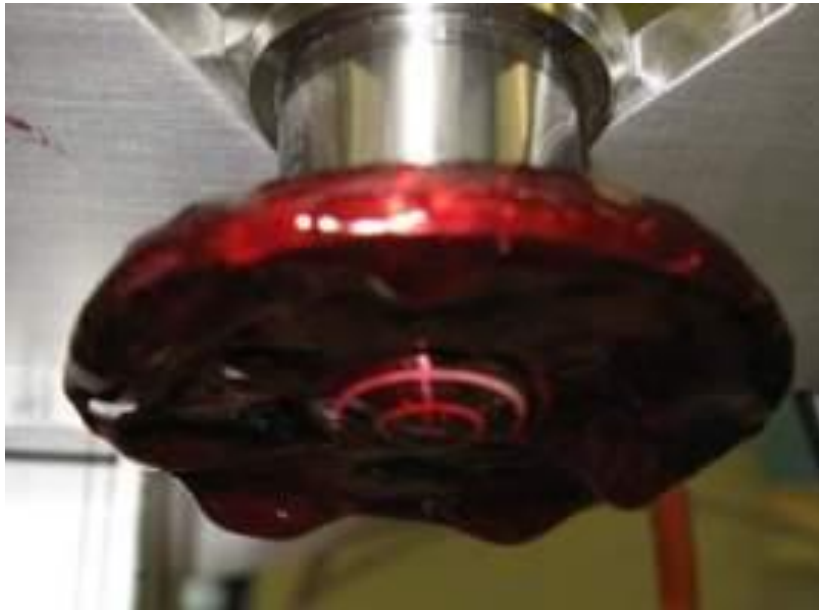
The design enables an intuitive HMI



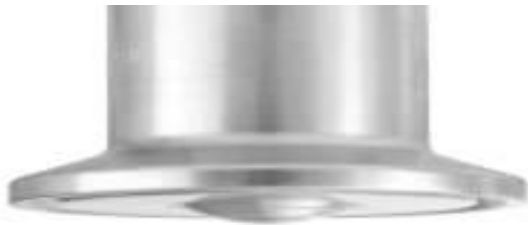
Proven-in-use build-up compensation

Liquipoint FTW33

Very good build-up compensation over the entire application range, no product specific adjustments needed!



Advantages in the installation



Flush Design

- allows for the use of scrapers in vessels
- reduces cleaning times

Foam or no foam – this is not a question... but a choice



Liquipoint FTW33 can be ordered

- Sensitive to liquids only
- Sensitive to liquids and foam

FTW33 –

Easy installation **w/o any adjustments or calibrations**

- Competitive devices need to be selected/adjusted!

Easier and faster cleaning procedures – **pigging & scrapers possible!**

- *Competitive devices are not flush-mounted!*

Reliable point level detection with **active build-up compensation**

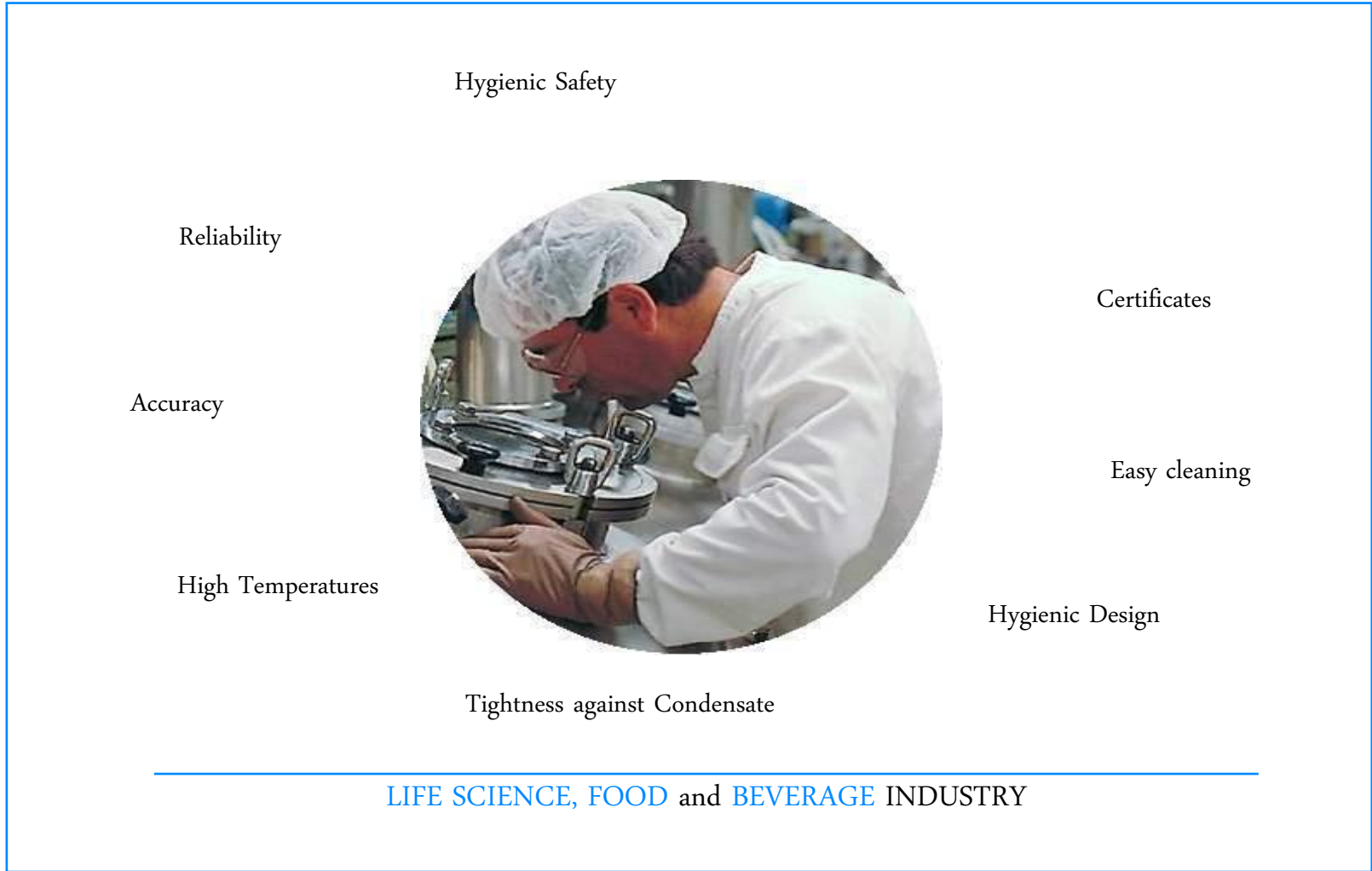
- Proven-in-use reliability with highly viscous products

Liquipoint FTW33 Design

Key points to remember>

- Real flush-mounted
- No effect on product quality
pieces of fruits, ...
- Easier and faster cleaning
- Pre-calibrated & no recalibrations with changing media
- No damage of ball, wiper
- Reliability on Highly viscous products

Developing Instruments to meet your requirements



Thank you very much for your attention

