

SUNBREAK[®]
SCHERMATURE SOLARI

Metalpak[®]
Sb200

Metalpak is a sun blind with slats which can be packed and adjusted, at the very cutting edge in terms of sturdiness and design. Used outside a building, it stands out for its high degree of sun protection, with a 50% reduction in the power absorbed by the air conditioning system, limiting energy consumption levels by 60%. Designed for a host of different usage scenarios, ranging from residential to commercial settings and hospitals to name but a few. The main strengths of this product include the sturdy and hard-wearing cold-profiling shaped slats, along with the considerable black-out effect and noise damping qualities thanks to the insertion of the longitudinal seal during the profiling process. Available in a variety of colours, also according to the customer's specific requests. Here are the main functional characteristics: slats tilted by 37° during the lowering phase; sun blind completely closed when lowered; raising with adjustable slats; slat adjustment to any position; anti-raising system when slats are closed.

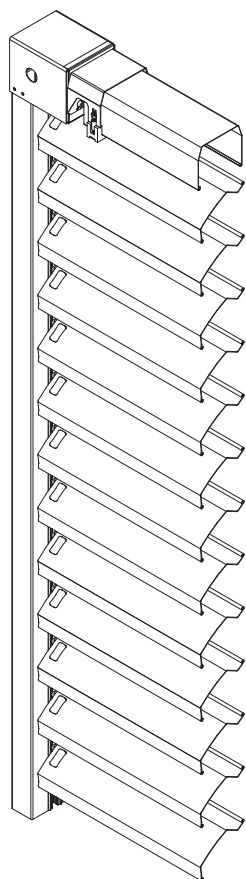
Metalpak®

Contents Metalpak® Sb200

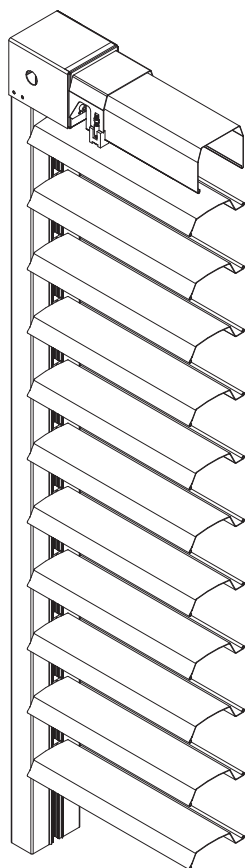
- Dwg. 100** Description of motor-operated control specifications
- Dwg. 100/A** Combination of colour shades
- Dwg. 100.1** Motor-operated control - Brickwork recess - Blind panel
- Dwg. 100.2** Motor-operated control - Aluminium visor - Blind panel
- Dwg. 100.3** Motor-operated control - Double aluminium visor - Without blind panel
- Dwg. 100.4** Motor-operated control - Aluminium visor with roof - Jutting
- Dwg. 100.5** Motor-operated control - U-shaped aluminium visor - Jutting
- Dwg. 100.6** Motor-operated control - Aluminium visor - Blind panel - Bracket set (high + low + central plate)
- Dwg. 100.7/A** Wooden slat with natural - walnut - oak finish
- Dwg. 100.7** Motor-operated control - Brickwork recess - Blind panel
- Dwg. 100.8** 90° winch-operated control - Brickwork recess - Blind panel
- Dwg. 100.9** Y-shaped control without return - Winch beyond gap with 80x40 tubular members – Aluminium visor – Standard rod
- Dwg. 100.10** X-shaped control without return – Winch in gap – Double aluminium visor - Detachable interrupted rod
- Dwg. 100.11** Integrated System: Motor-operated control - Aluminium visor - Blind panel
- Dwg. 100.12** Integrated System: Motor-operated control
- Dwg. 100.16** Types of closed insulating boxes
- Dwg. 100.17** Types of open insulating boxes
- Dwg. 100.18** Motor-operated control - Insulating box
- Dwg. 100.20** Motor anti-torsion bracket for sun blind with L1 > 2300 mm
- Dwg. 100.21** T-shaped bracket for runners fastened to frame
- Dwg. 100.22** T-shaped bracket for runners fastened to brickwork
- Dwg. 100.23** L-shaped bracket for runners fastened to brickwork
- Dwg. 100.24** Bracket set (high + low + plate)
- Dwg. 100.30** Standard 45°- 90° returns and rod stop
- Dwg. 100.31** Accessories for detachable rod with 45° or 90° return
- Dwg. 100.32** Accessories for interrupted rod with 45° or 90° return
- Dwg. 100.33** Accessories for interrupted detachable rod with 45° or 90° return
- Dwg. 100.40** Straight aluminium pre-painted visor, thickness of 12/10
- Dwg. 100.41** Standard aluminium pre-painted visor with roof, thickness of 12/10
- Dwg. 100.42** U-shaped aluminium pre-painted visor, thickness of 12/10
- Dwg. 100.50** Fitting and installation instructions
- Dwg. 100.51** Fitting and installation instructions
- Dwg. 100.52** Fitting and installation instructions
- Dwg. 100.53** Fitting and installation instructions
- Dwg. 100.54** Electrical connections
- Dwg. 100.55** Electrical connections

Metalpak® Sb200

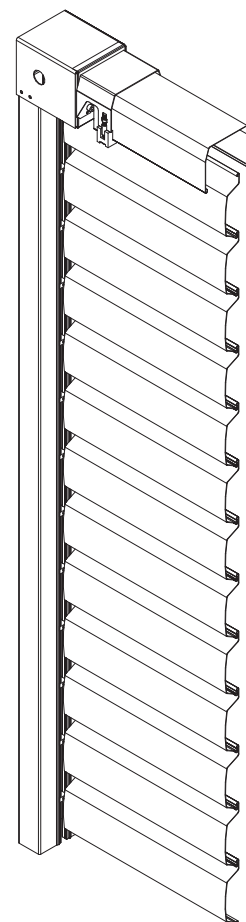
METALPAK Sb200



PERSPECTIVE VIEW WITH SLATS IN LOWERING POSITION



PERSPECTIVE VIEW WITH SLATS IN HORIZONTAL POSITION



PERSPECTIVE VIEW WITH SLATS IN CLOSED POSITION

DESCRIPTION OF MOTOR-OPERATED CONTROL SPECIFICATIONS:

Metalpak SB200 for outdoor use with Aluminium and Mg alloy slats, pre-painted in standard colours: see colour chart, thickness of 0.60 mm, width of 100 mm with longitudinal stiffening ribs on both sides and noise-damping and black-out seal inserted along the internal edge; the slats are equipped at either end with stainless steel clips, which click into place onto the pivots of the internal runner mechanisms. 85x40 mm extruded aluminium self-supporting side runners painted in the standard RAL colours or anodised natural. Compensator friction drive mechanisms in zamak designed to position the slats during the automatic closing and lowering phases with the sun blind lowered. Forced rising and lowering movement of the slats by means of a chain with articulated elements. System for the automatic safety detachment of slats in the event of obstacles encountered during lowering. The die cast slat-holder pivots are joined together by means of a stainless steel chain with a constant pitch. When the slats are closed, the sun blind is blocked automatically from the outside via the integrated anti-raising system. Controlled using a single-phase 230V-50HZ asynchronous electric motor with a value of IP54 with thermal cut-out, electromagnetic brake, automatic limit switch with upper and lower stop, equipped with a 0.50 linear metre 4x0.75 quadripolar cable and wired female connector (push-button panel not included).

DESCRIPTION OF WINCH-OPERATED CONTROL SPECIFICATIONS:

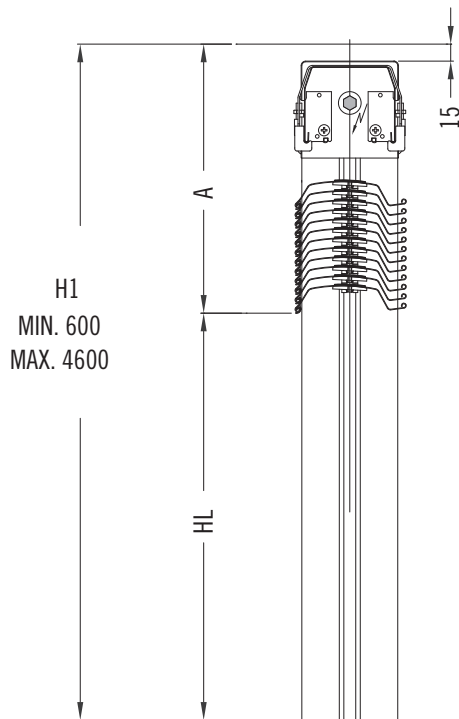
Metalpak SB200 for outdoor use with Aluminium and Mg alloy slats, pre-painted in standard colours: see colour chart, depth of 0.60 mm, width of 100 mm with longitudinal stiffening ribs on both sides and noise-damping and black-out seal inserted along the internal edge; the slats are equipped at either end with stainless steel clips, which click into place onto the pivots of the internal runner mechanisms. 85x40 mm extruded aluminium self-supporting side runners painted in the standard RAL colours or anodised natural. Compensator friction drive mechanisms in zamak designed to position the slats during the automatic closing and lowering phases with the sun blind lowered. Forced rising and lowering movement of the slats by means of a chain with articulated elements. System for the automatic safety detachment of slats in the event of obstacles encountered during lowering. The die cast slat-holder pivots are joined together by means of a stainless steel chain with a constant pitch. When the slats are closed, the sun blind is blocked automatically from the outside via the integrated anti-raising system. Controlled using a winch complete with limit switch, operating rod complete with 45° return and rod stop.

METALPAK Sb200

COMBINATION OF COLOUR SHADES

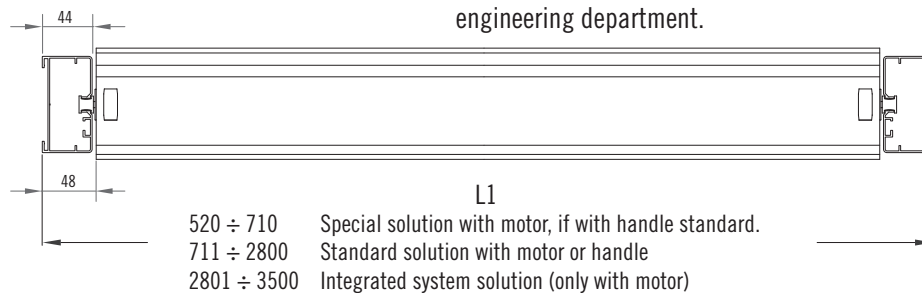
SEE COLOUR CHART

TECHNICAL DETAILS



HL mm	H1 mm	A stack mm
1000	1250	235
1250	1530	265
1500	1865	300
1750	2029	325
2000	2365	350
2250	2640	375
2500	2925	410
2750	3205	440
3000	3480	465
3250	3765	500
3500	4040	525
3750	4315	550
4000	4600	580

The value indicated by letter "A" refers to measurements H1 indicated in the table. For different H1 values, please contact our engineering department.

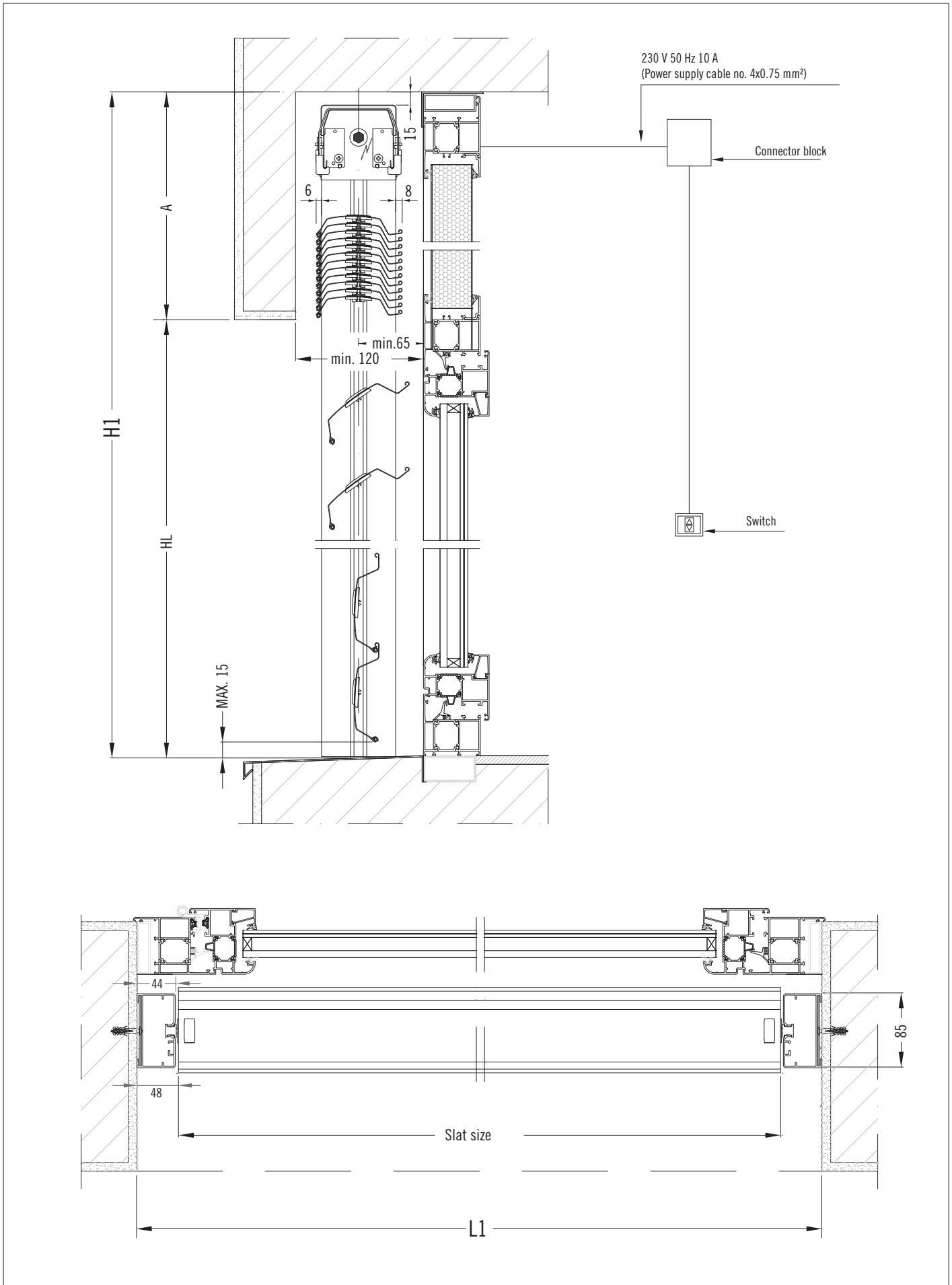


COMBINATION OF SUN BLIND WITH SINGLE CONTROL

MOTOR-OPERATED CONTROL: MAX. 3 SUN BLINDS TOTAL 10 M²
WINCH-OPERATED CONTROL: MAX. 2 SUN BLINDS TOTAL 7 M²

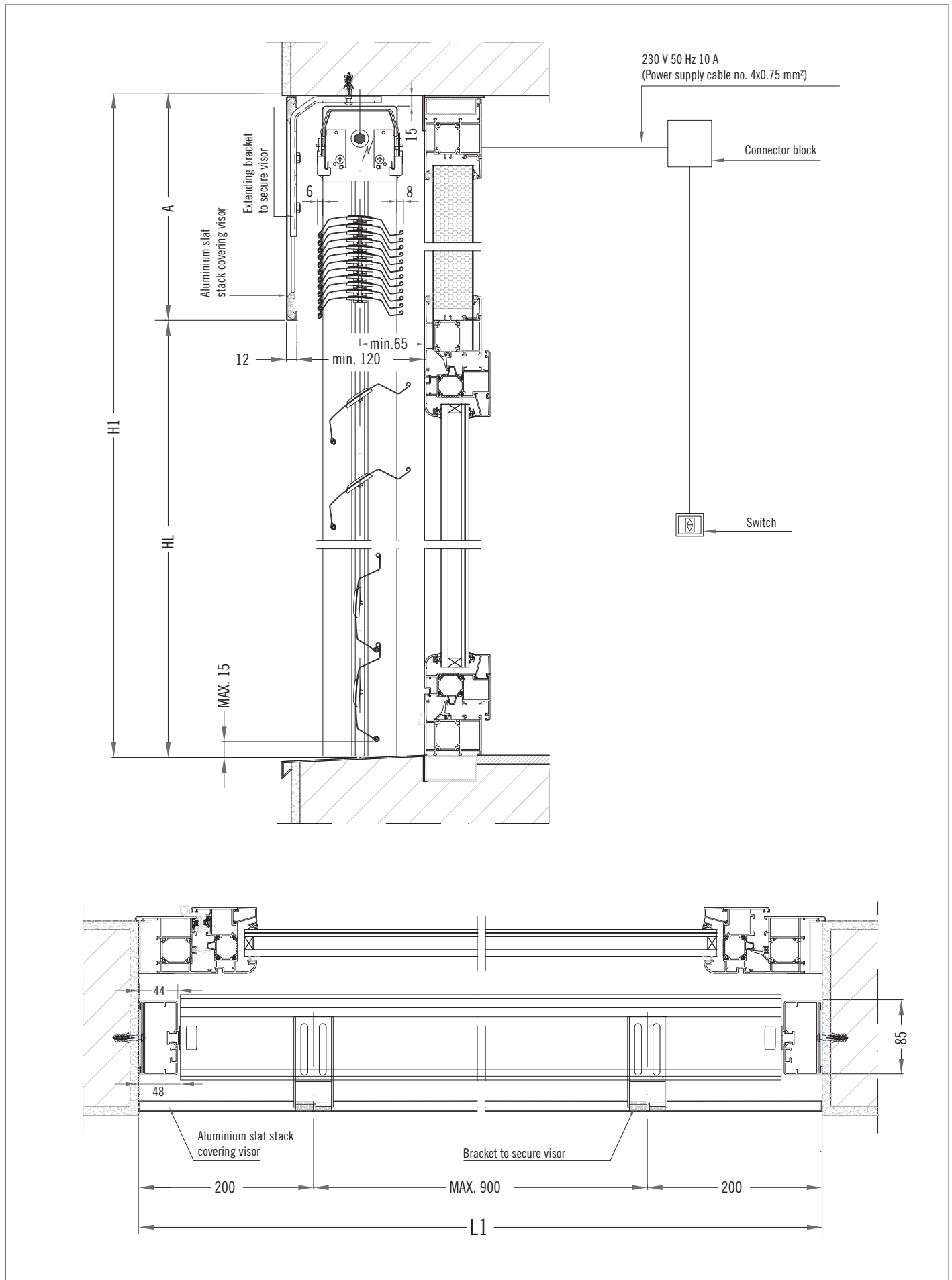
METALPAK Sb200

MOTOR-OPERATED CONTROL - BRICKWORK RECESS - BLIND PANEL



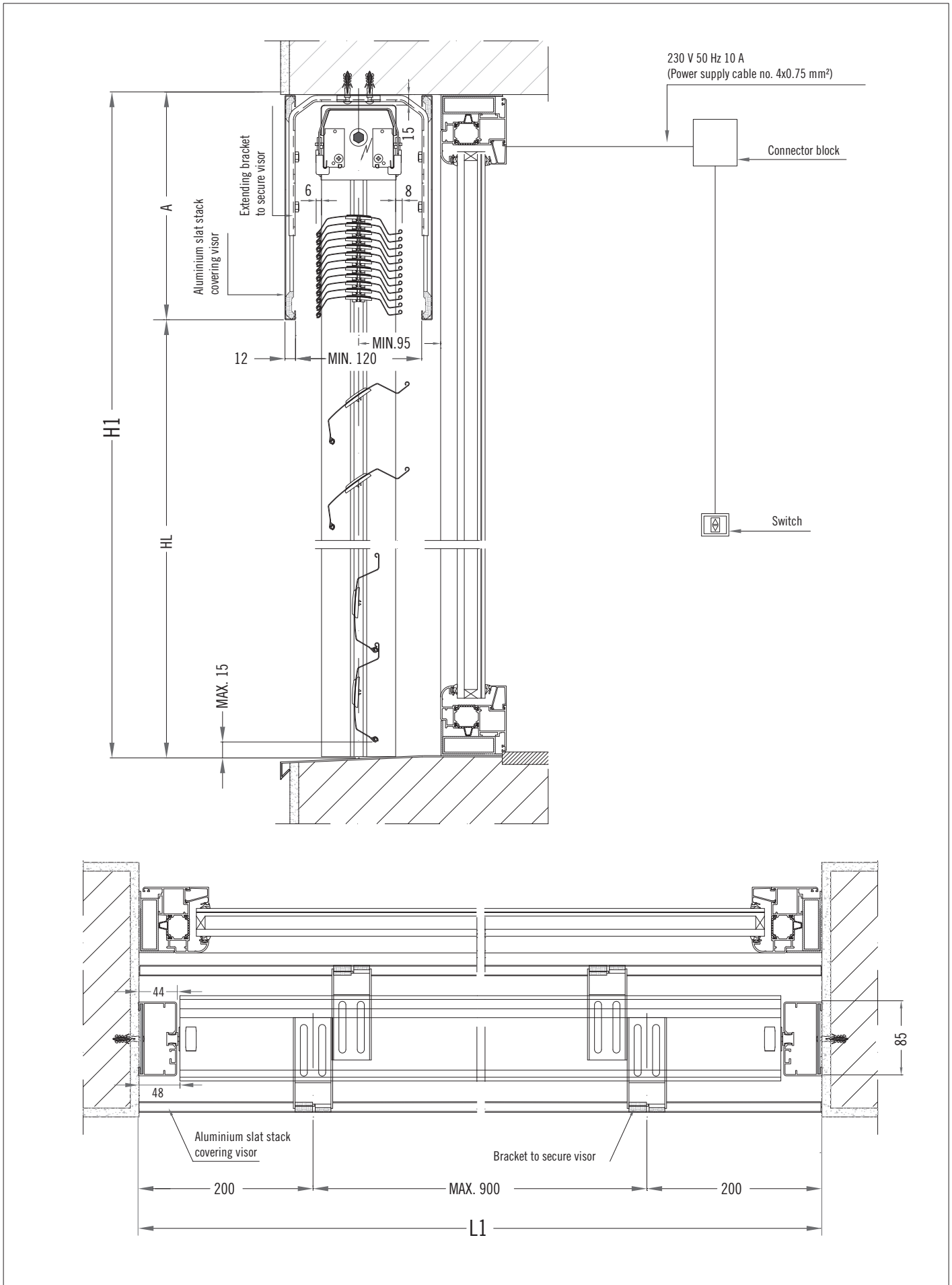
METALPAK Sb200

MOTOR-OPERATED CONTROL - ALUMINIUM VISOR - BLIND PANEL



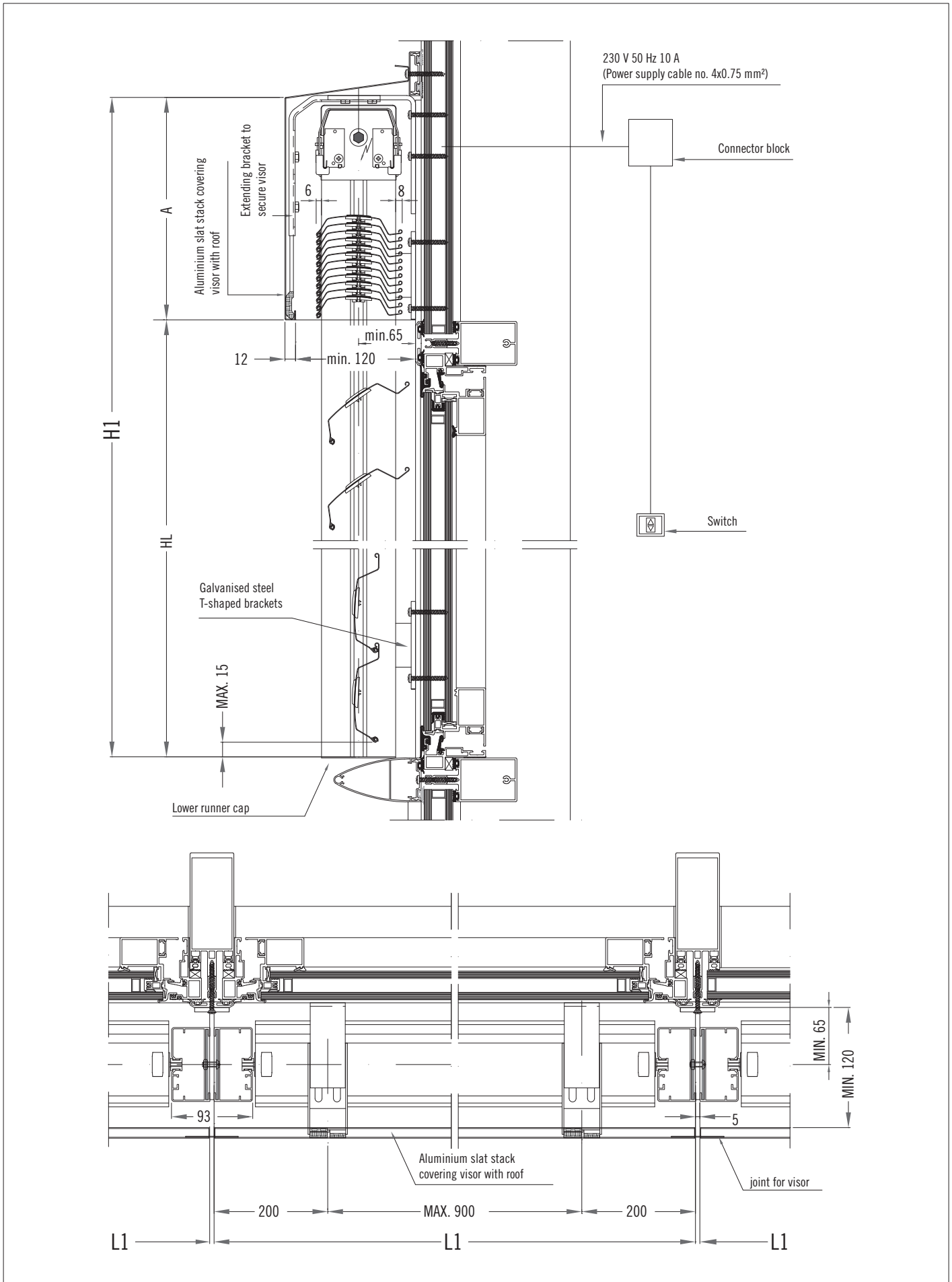
METALPAK Sb200

MOTOR-OPERATED CONTROL - DOUBLE ALUMINIUM VISOR - WITHOUT BLIND PANEL



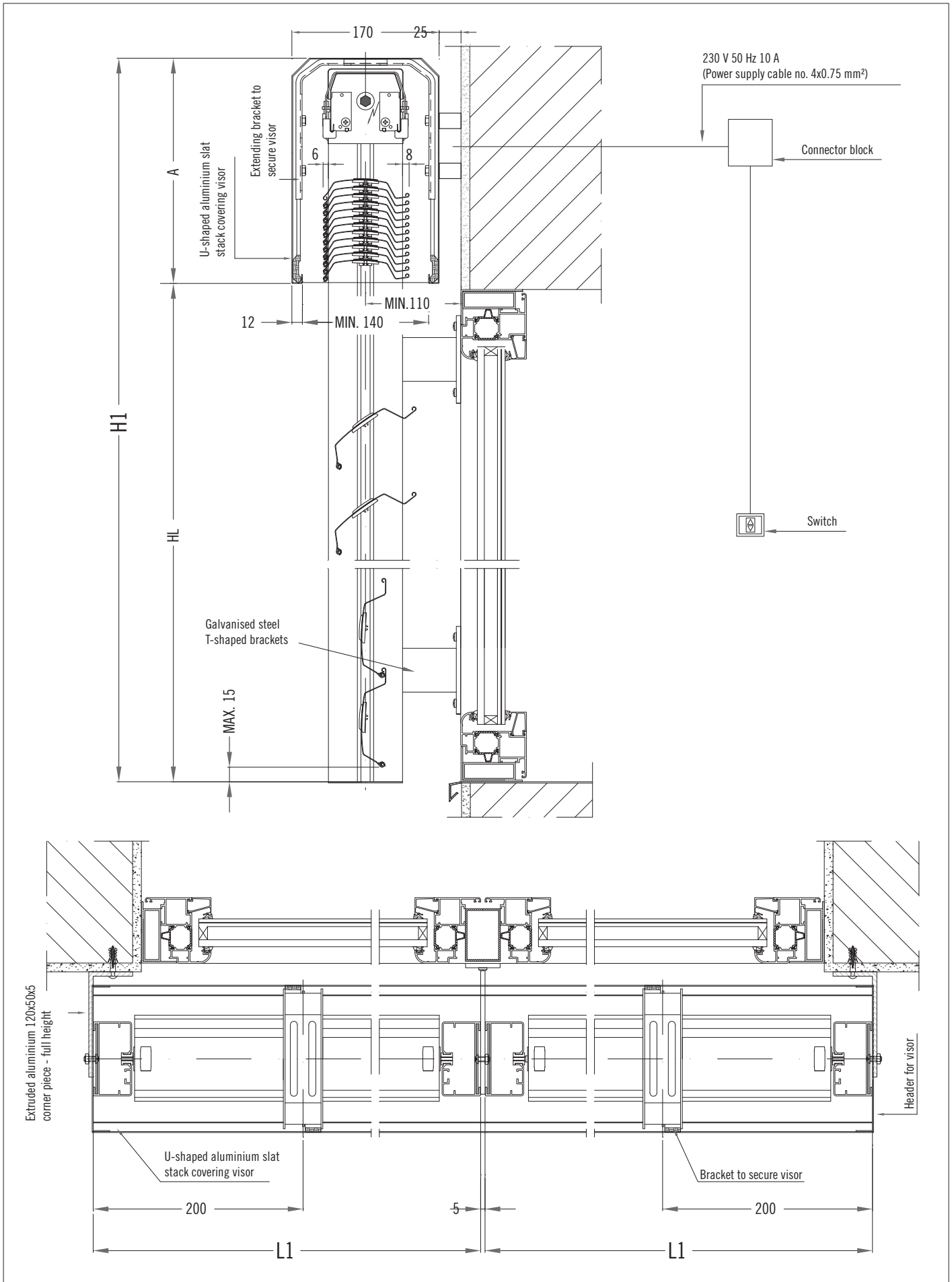
METALPAK Sb200

MOTOR-OPERATED CONTROL - ALUMINIUM VISOR WITH ROOF - JUTTING



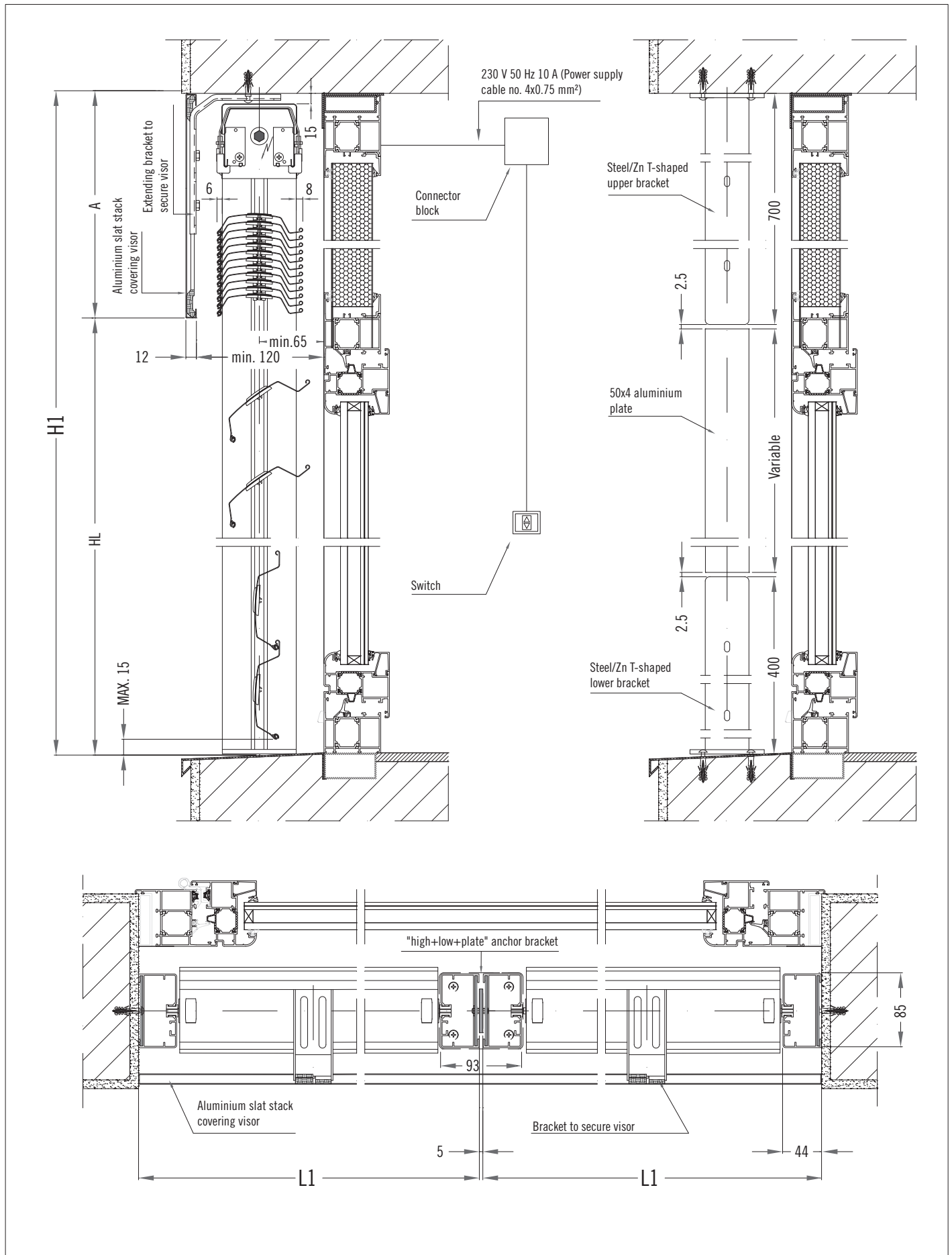
METALPAK Sb200

MOTOR-OPERATED CONTROL - ALUMINIUM U-SHAPED VISOR - JUTTING



METALPAK Sb200

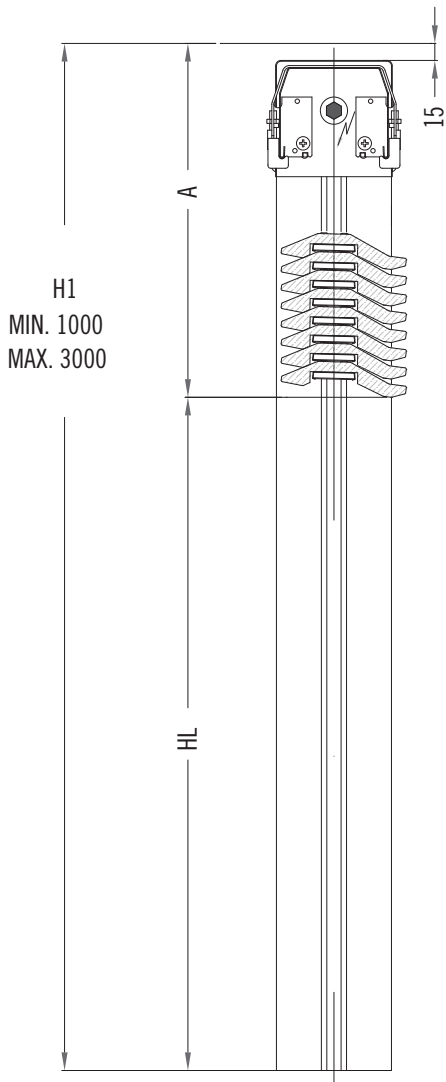
MOTOR-OPERATED CONTROL - ALUMINIUM VISOR - BLIND PANEL - BRACKET SET (HIGH + LOW + CENTRAL PLATE)



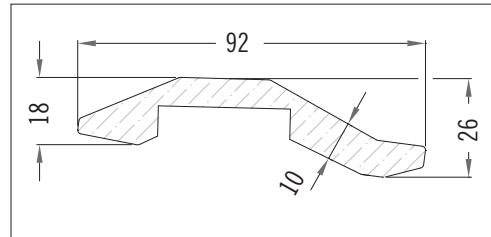
METALPAK Sb200 WOOD

WOODEN SLAT WITH NATURAL - WALNUT - OAK FINISH

TECHNICAL DETAILS

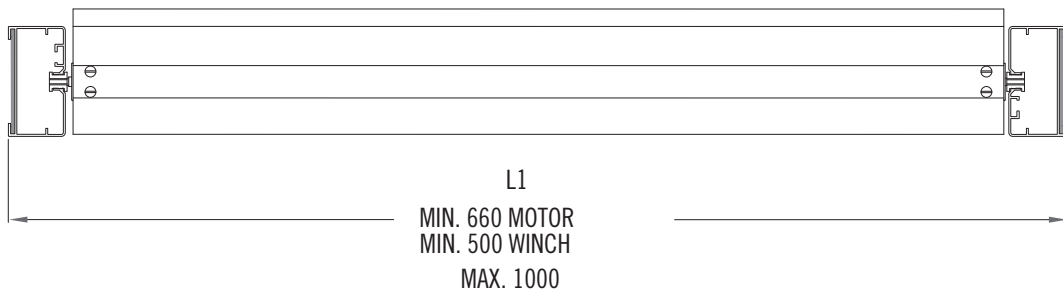


SLAT



H1 mm	HL mm	A mm
1000	720	280
1500	1140	360
2000	1560	440
2500	1980	520
3000	2400	600

The value indicated by letter "A" refers to measurements H1 indicated in the table. For different H1 values, please contact our engineering department.

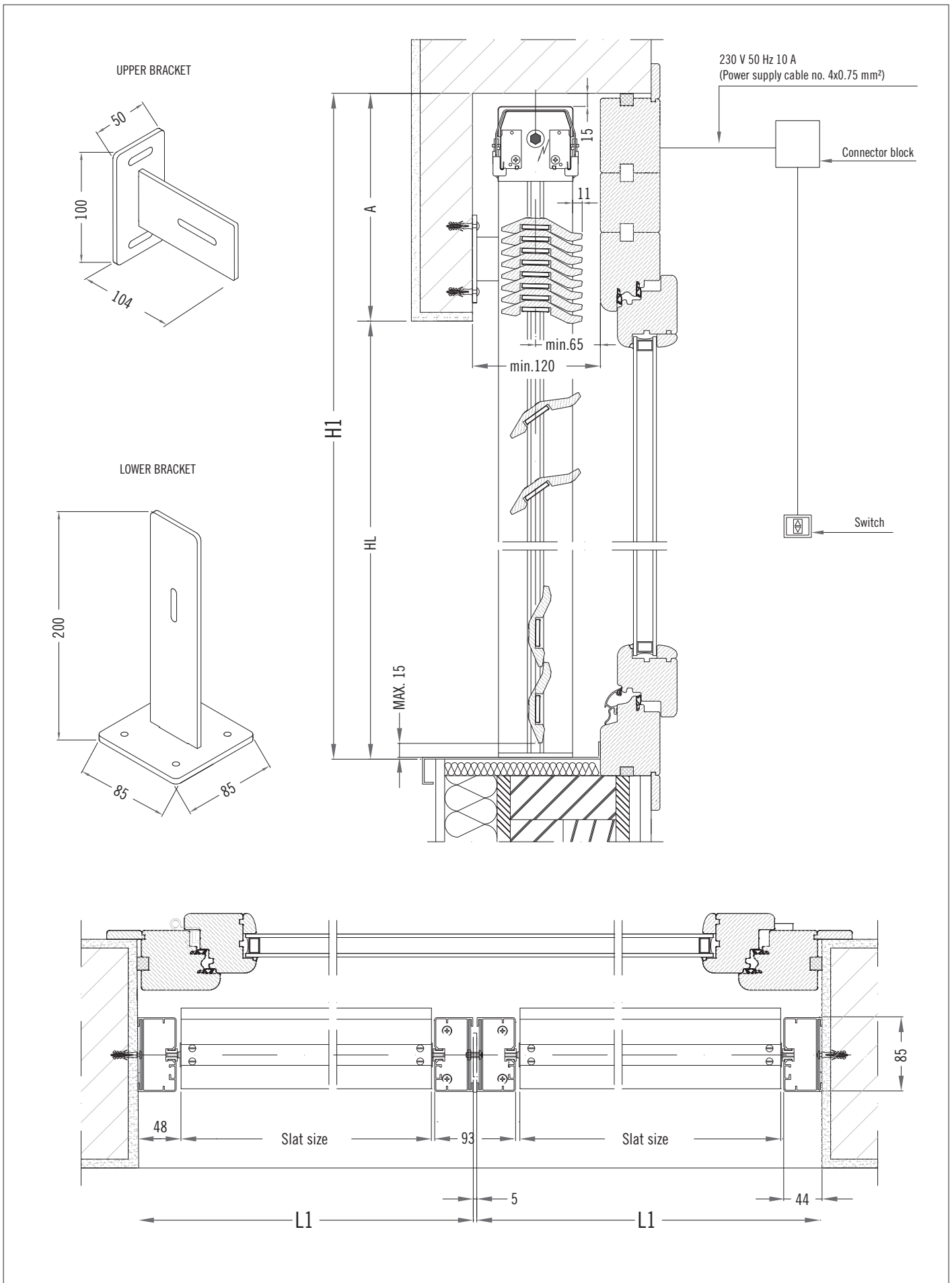


MOTOR-OPERATED CONTROL:
WINCH-OPERATED CONTROL:

TOTAL 3 M²
TOTAL 2 M²

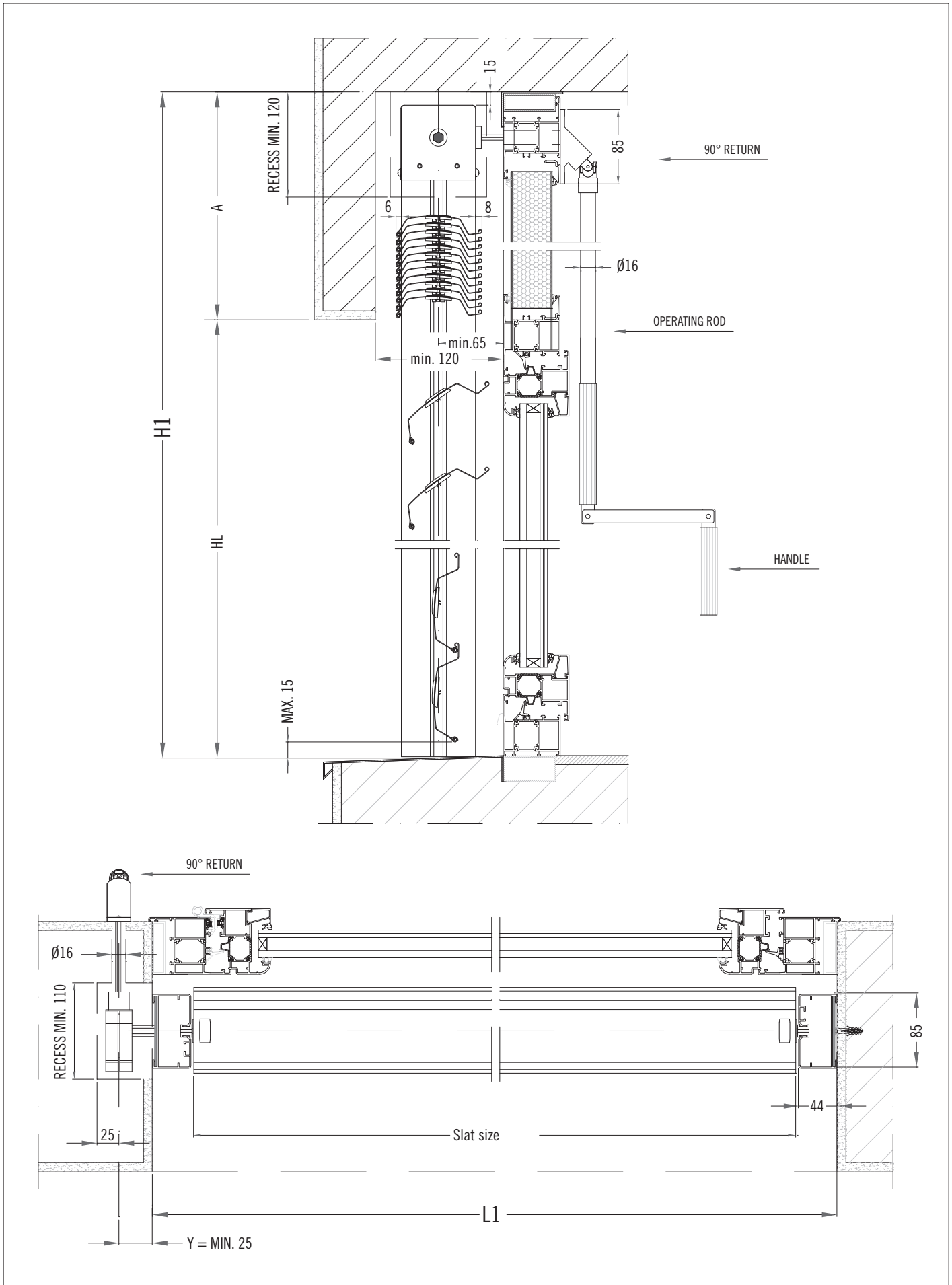
METALPAK Sb200 WOOD

MOTOR-OPERATED CONTROL - BRICKWORK RECESS - BLIND PANEL



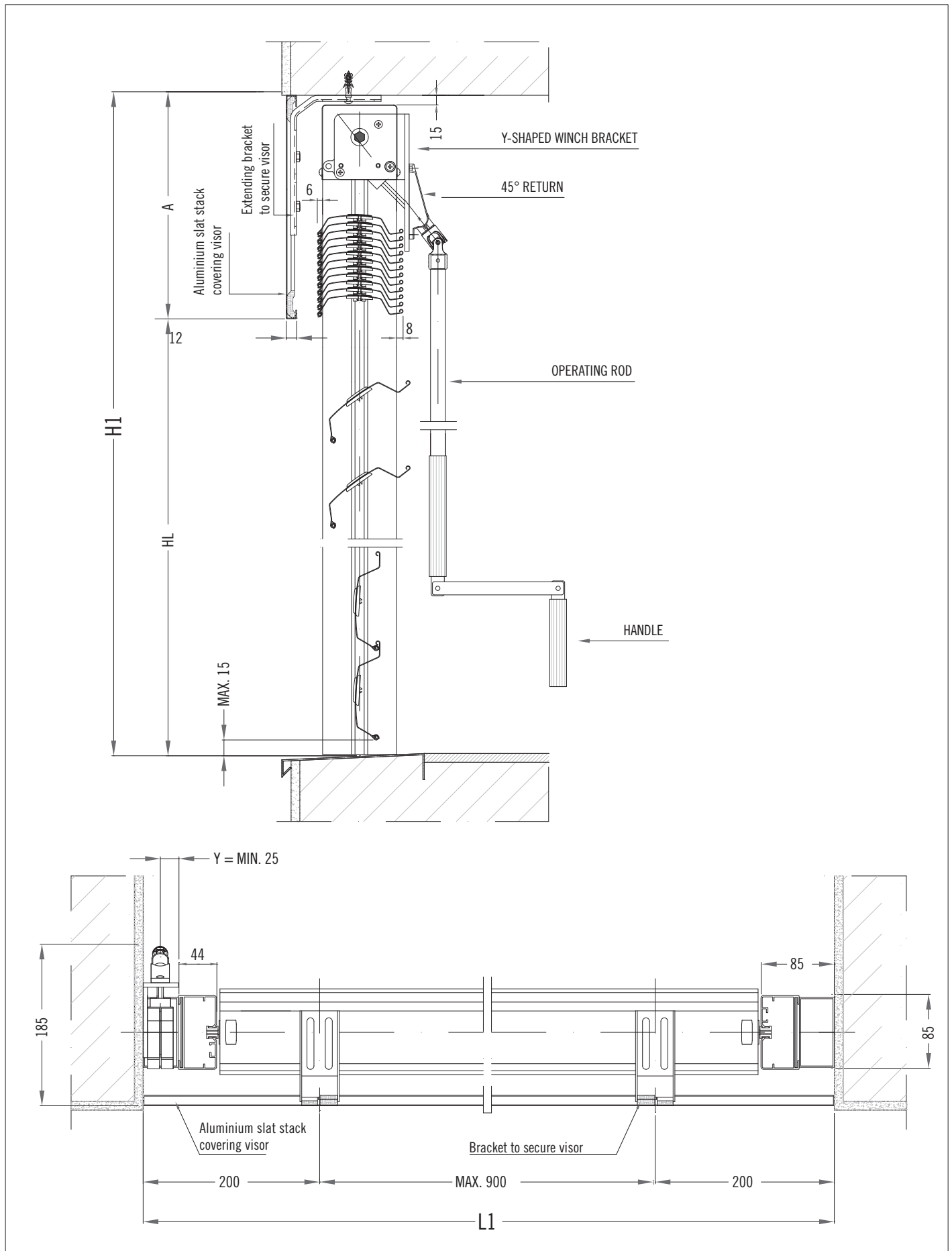
METALPAK Sb200

90° WINCH-OPERATED CONTROL - BRICKWORK RECESS - BLIND PANEL



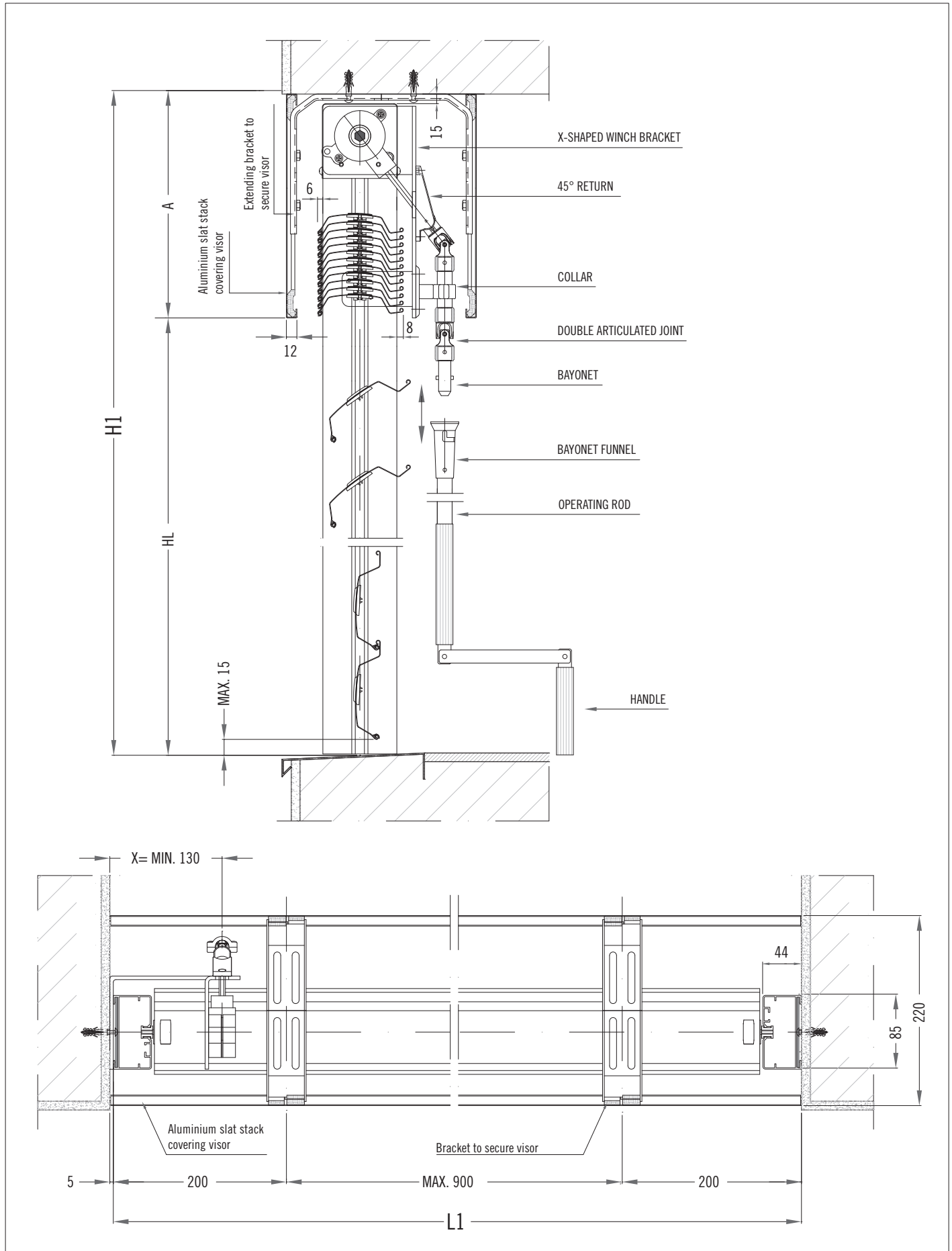
METALPAK Sb200

Y-SHAPED CONTROL WITHOUT RETURN - WINCH BEYOND GAP WITH 80X40 TUBULAR MEMBERS ALUMINIUM VISOR - STANDARD ROD



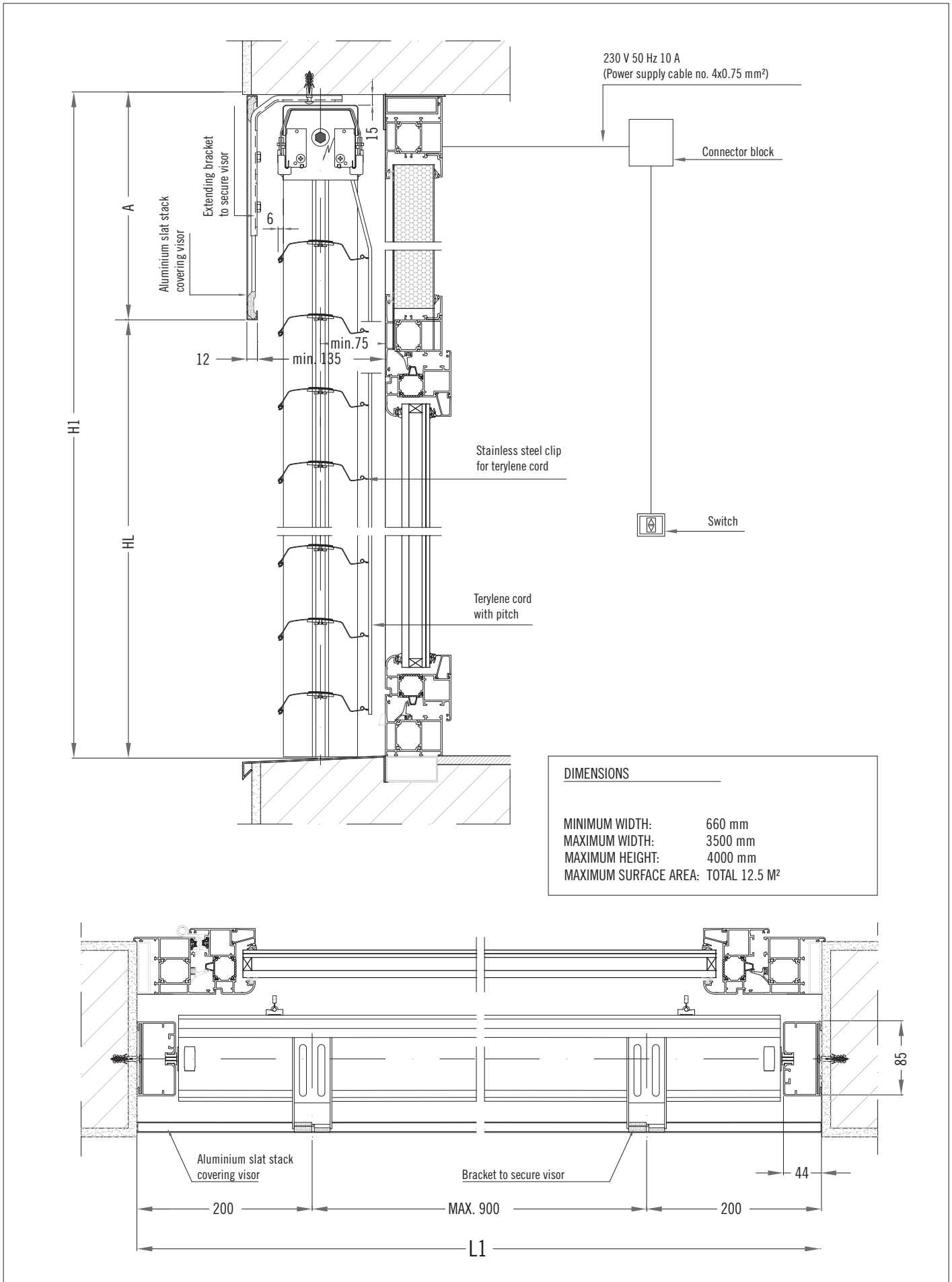
METALPAK Sb200

X-SHAPED CONTROL WITHOUT RETURN - WINCH IN GAP - DOUBLE ALUMINIUM VISOR -
DETACHABLE INTERRUPTED ROD



METALPAK Sb200 - INTEGRATED SYSTEM

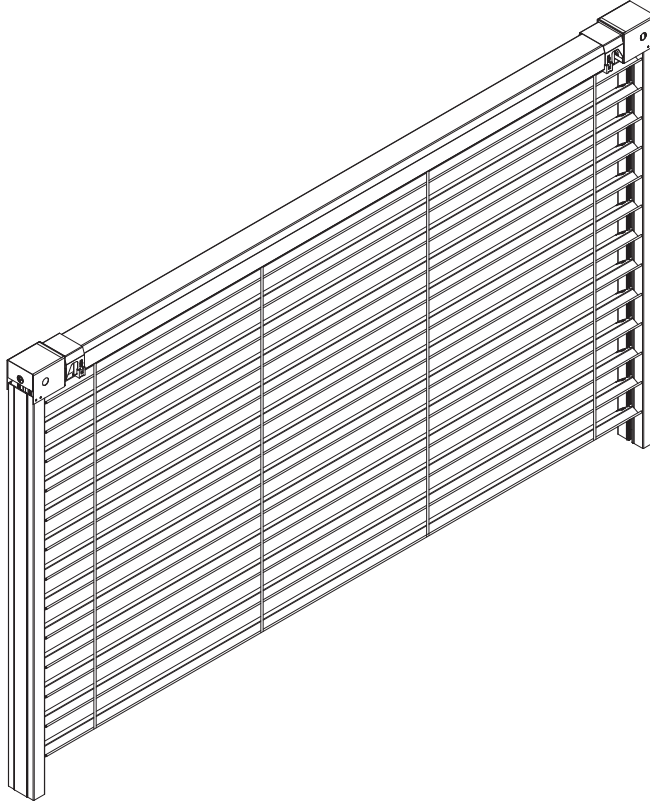
MOTOR-OPERATED CONTROL - ALUMINIUM VISOR - BLIND PANEL



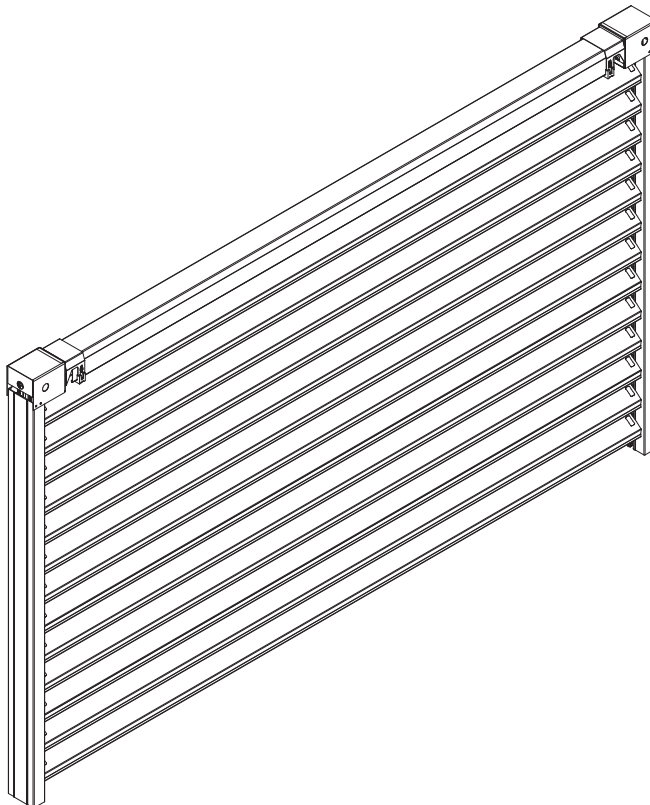
DIMENSIONS	
MINIMUM WIDTH:	660 mm
MAXIMUM WIDTH:	3500 mm
MAXIMUM HEIGHT:	4000 mm
MAXIMUM SURFACE AREA:	TOTAL 12.5 M ²

METALPAK Sb200 - INTEGRATED SYSTEM
MOTOR-OPERATED CONTROL

L1 = 2900 mm : 3500 mm



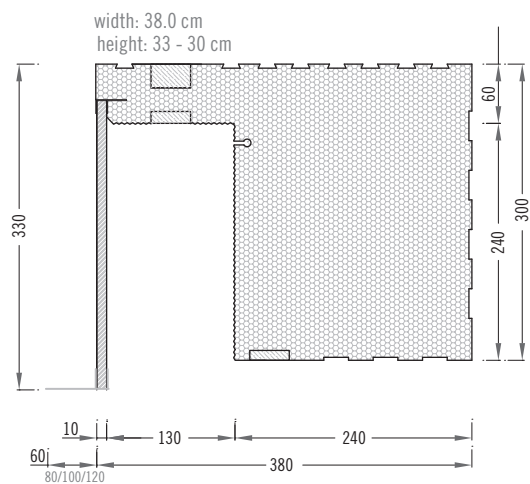
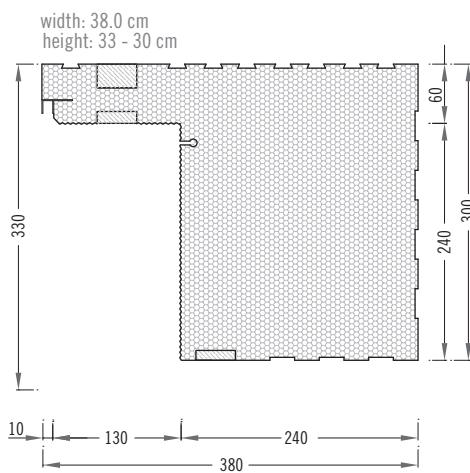
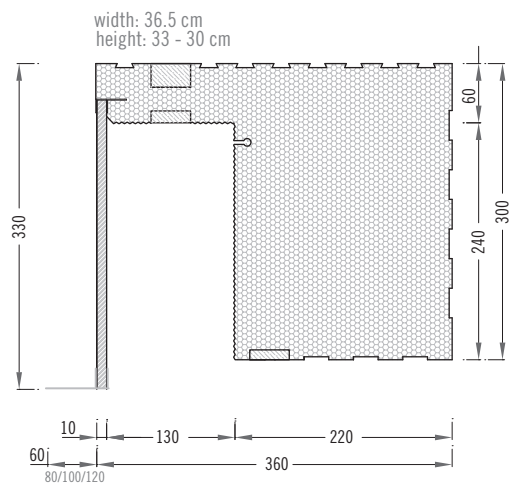
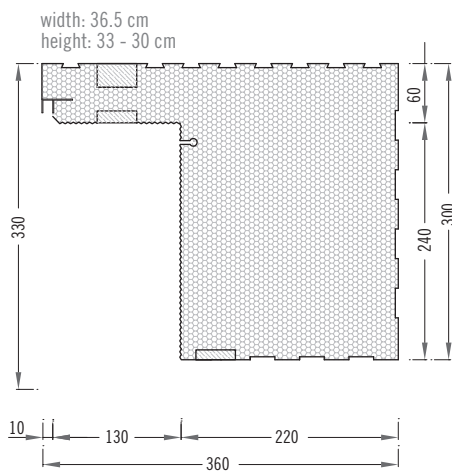
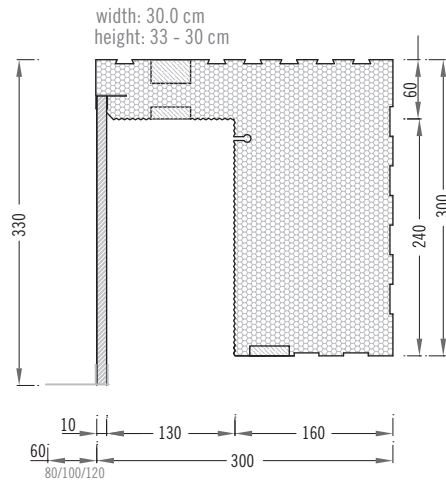
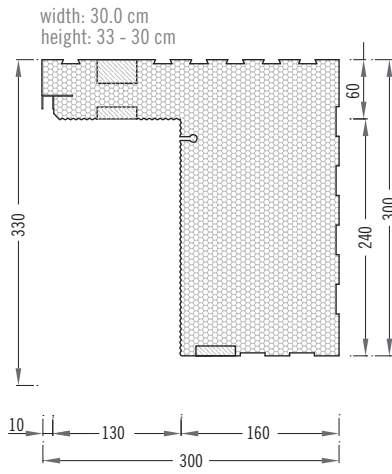
VIEW FROM THE INSIDE



VIEW FROM THE OUTSIDE

METALPAK Sb200

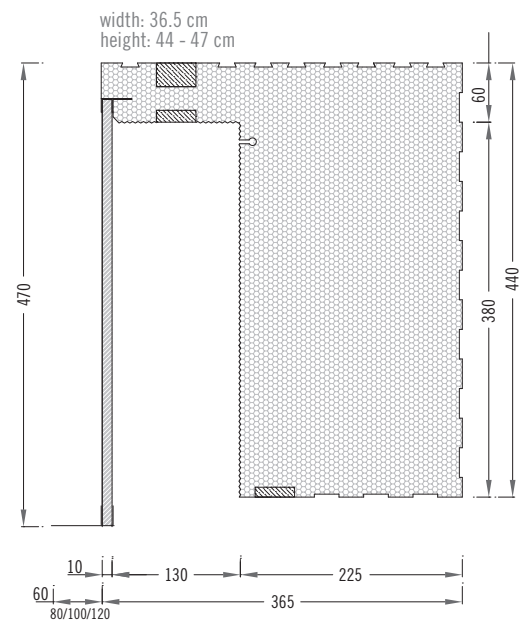
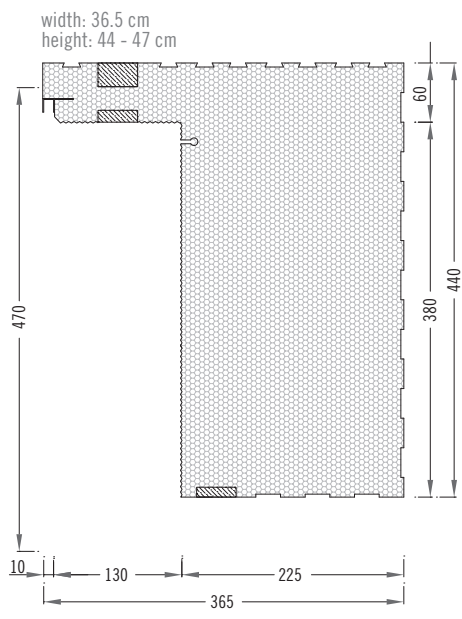
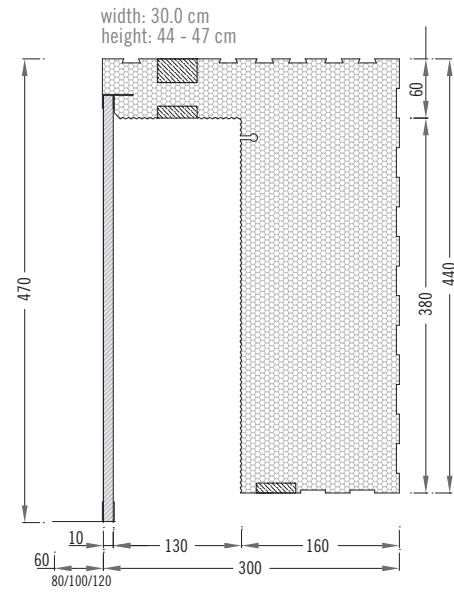
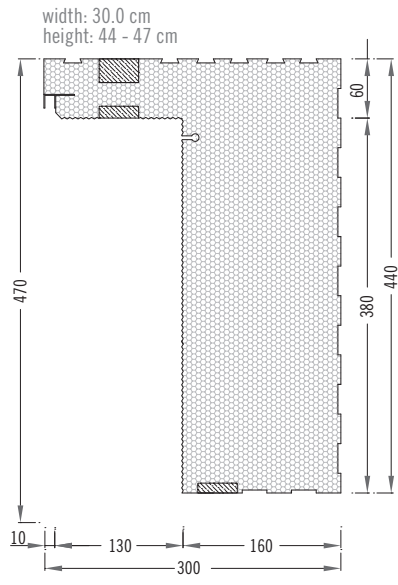
TYPES OF CLOSED INSULATING BOXES



N.B. - THE WIDTH AND HEIGHT OF THE BOX CAN VARY ACCORDING TO THE CONSTRUCTION REQUIREMENTS.

METALPAK Sb200

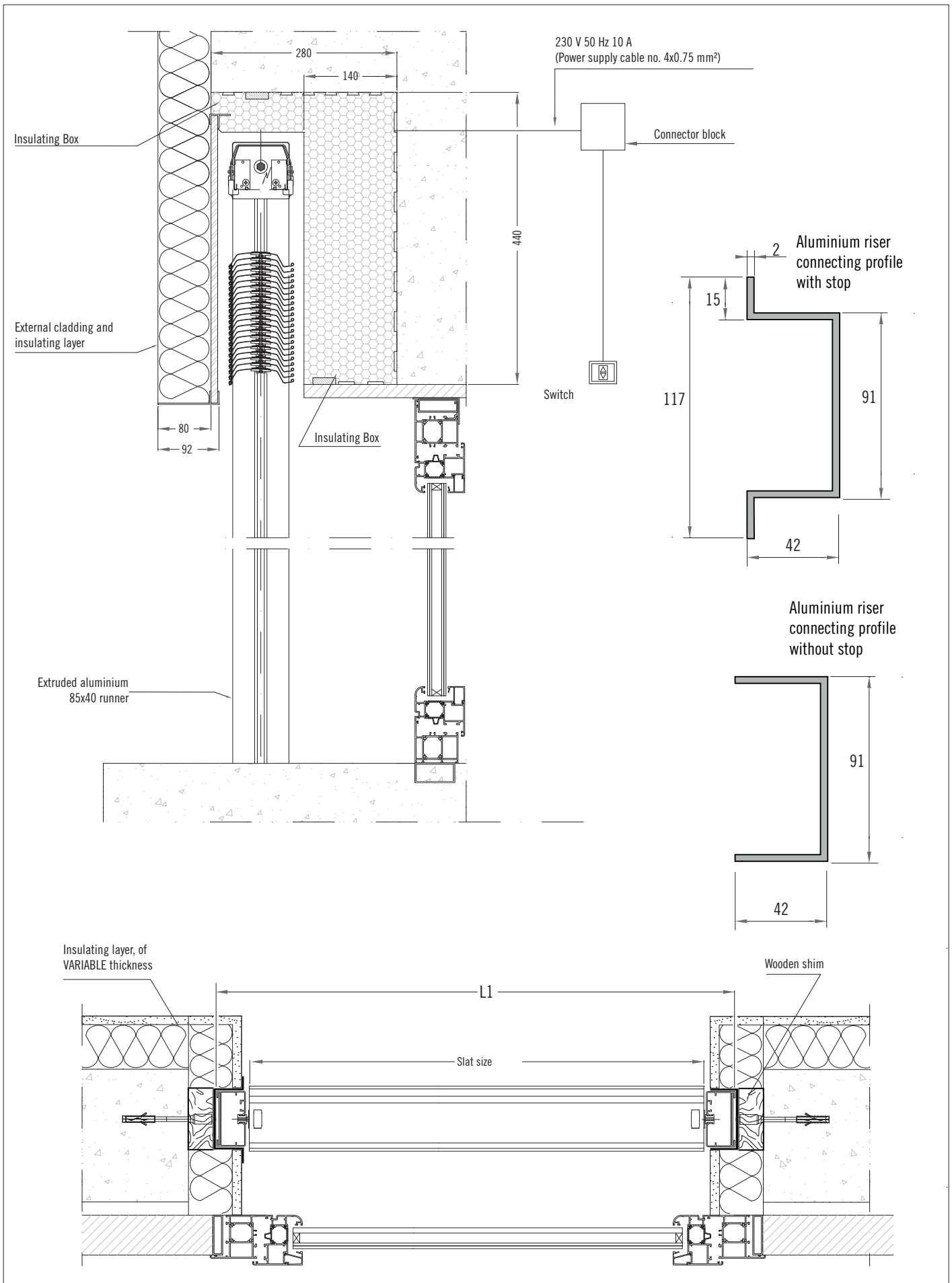
TYPES OF OPEN INSULATING BOXES



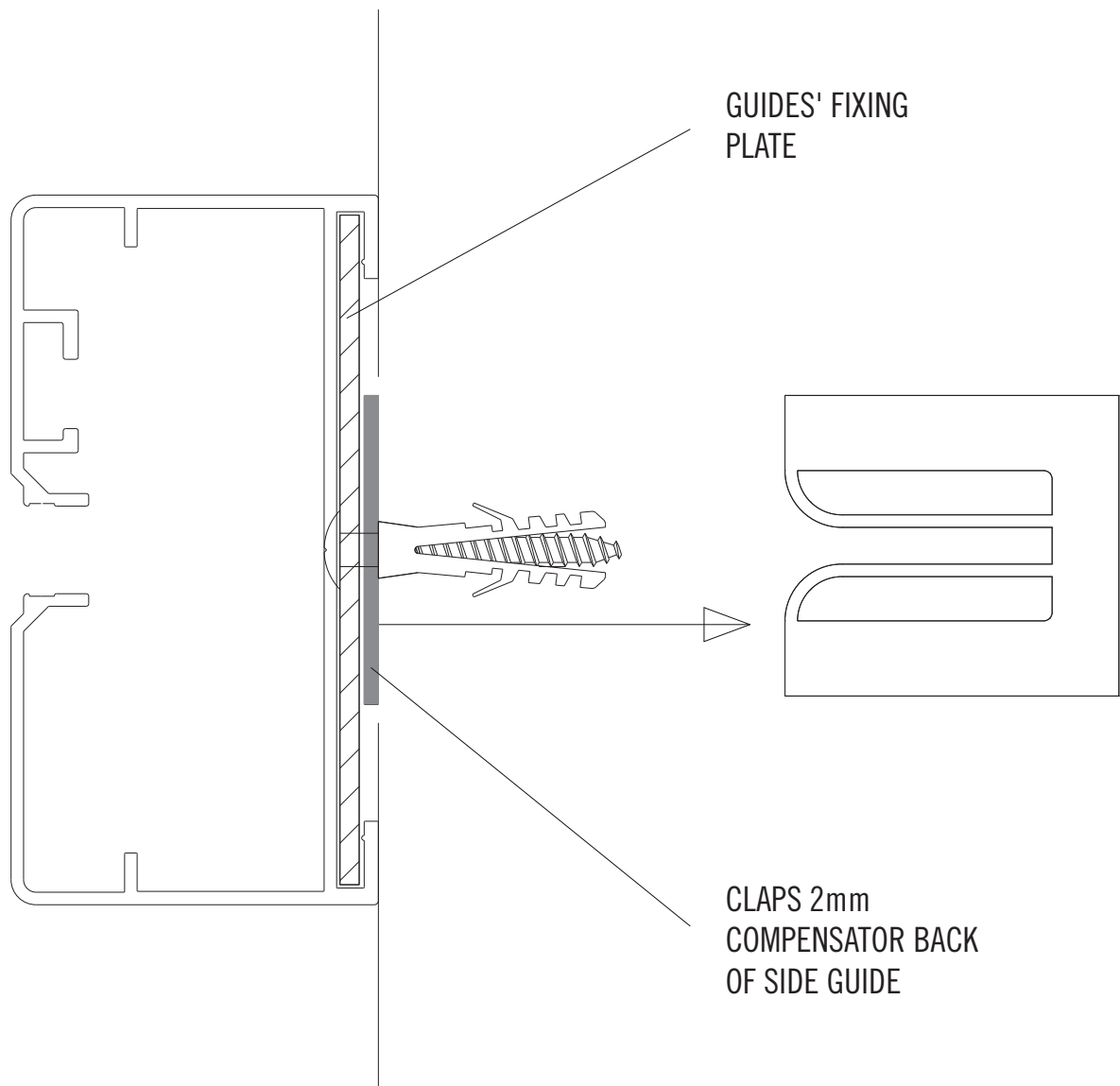
N.B. - THE WIDTH AND HEIGHT OF THE BOX CAN VARY ACCORDING TO THE CONSTRUCTION REQUIREMENTS

METALPAK Sb200

MOTOR-OPERATED CONTROL - INSULATING BOX

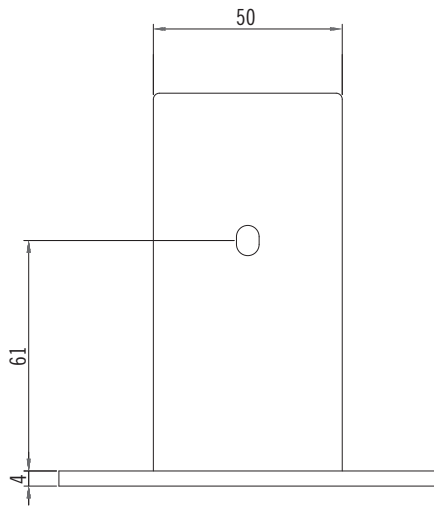
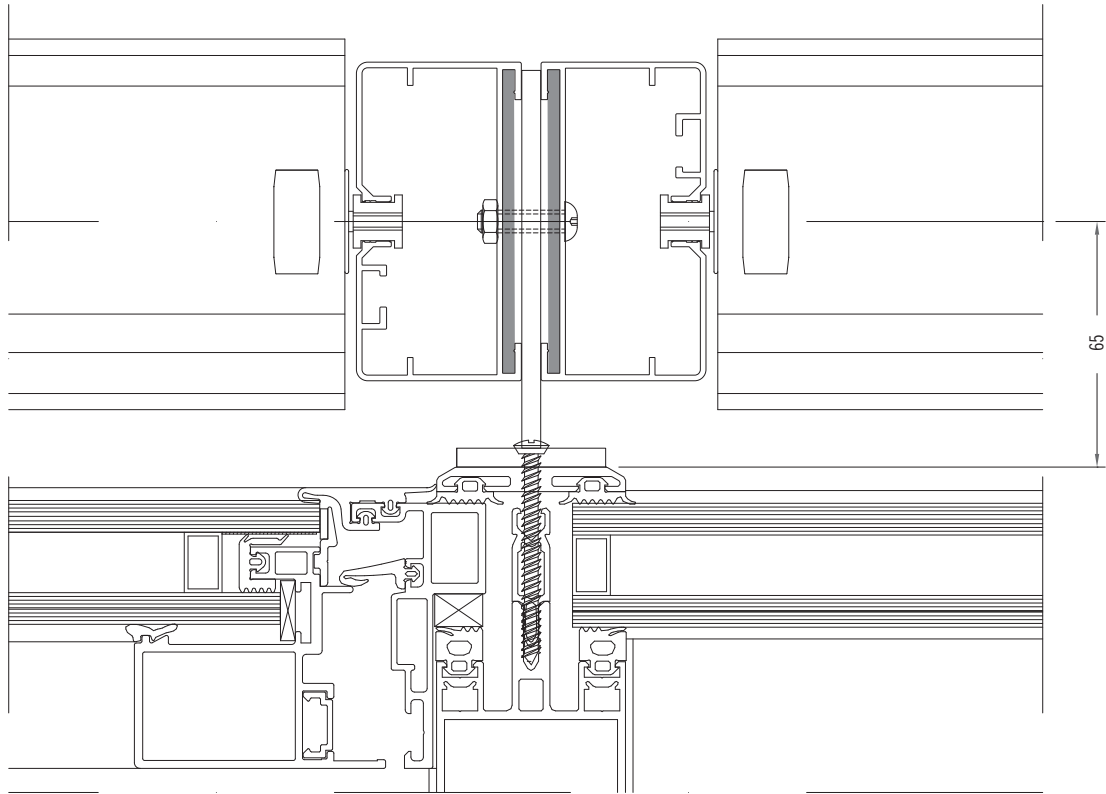


METALPAK Sb200
SIDE GUIDES' FIXING SYSTEM

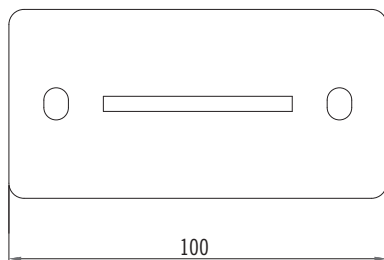
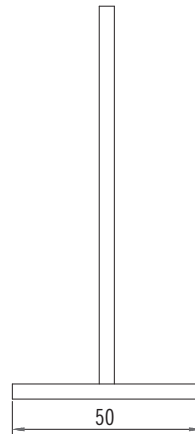


METALPAK Sb200

T-SHAPED BRACKET FOR RUNNERS FASTENED TO FRAME

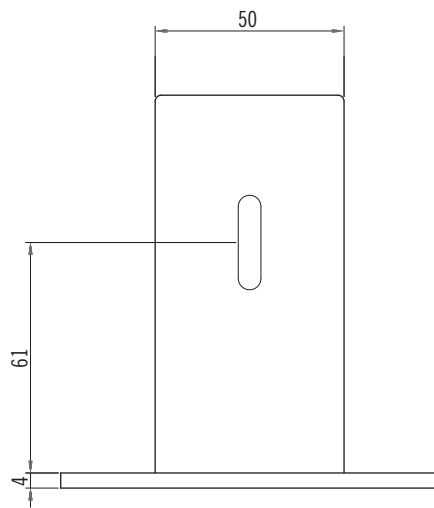
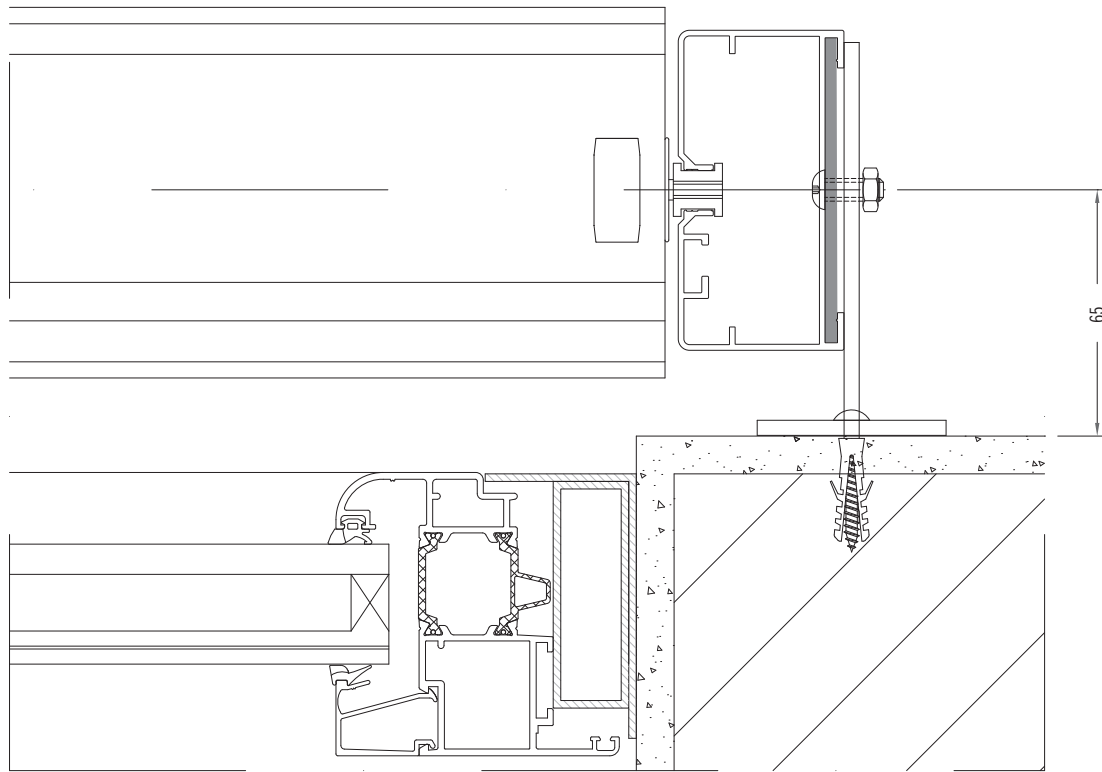


CODE 260.380

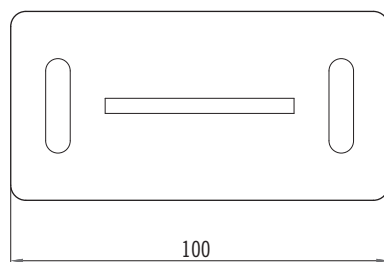
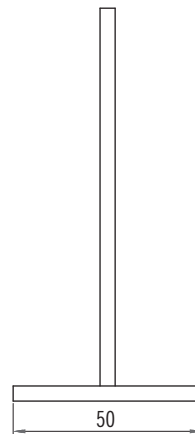


METALPAK Sb200

T-SHAPED BRACKET FOR RUNNERS FASTENED TO BRICKWORK

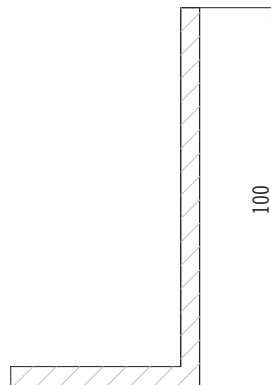
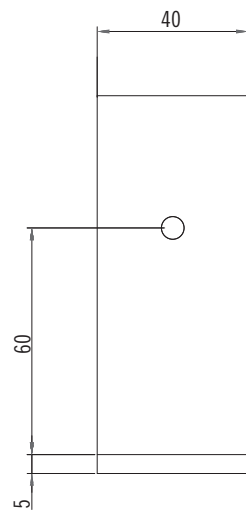
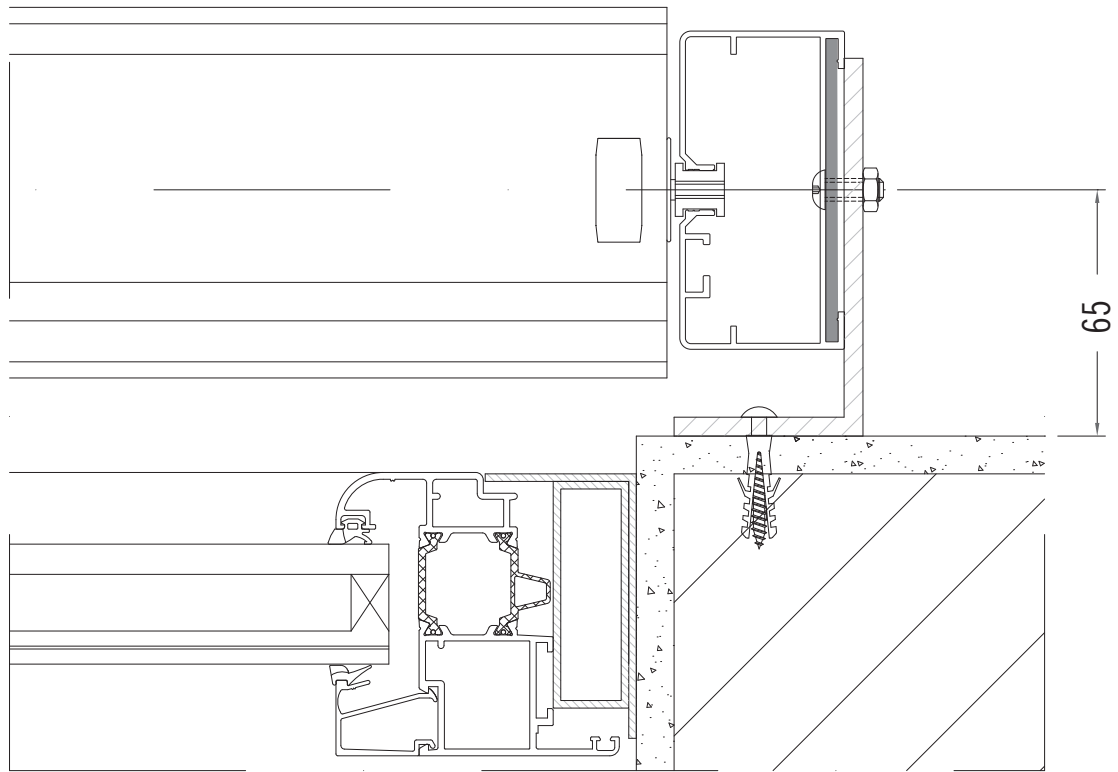


CODE 260.381

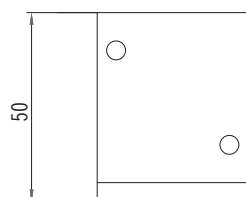


METALPAK Sb200

L-SHAPED BRACKET FOR RUNNERS FASTENED TO BRICKWORK



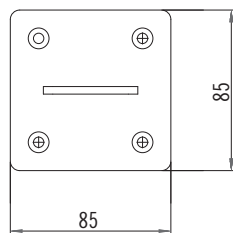
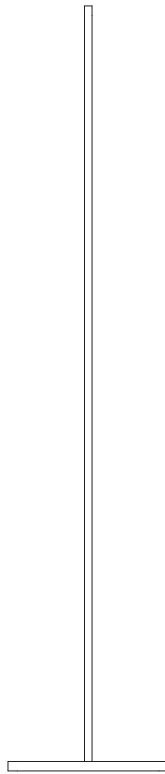
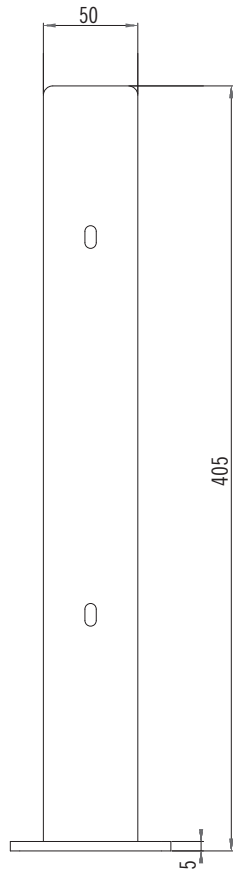
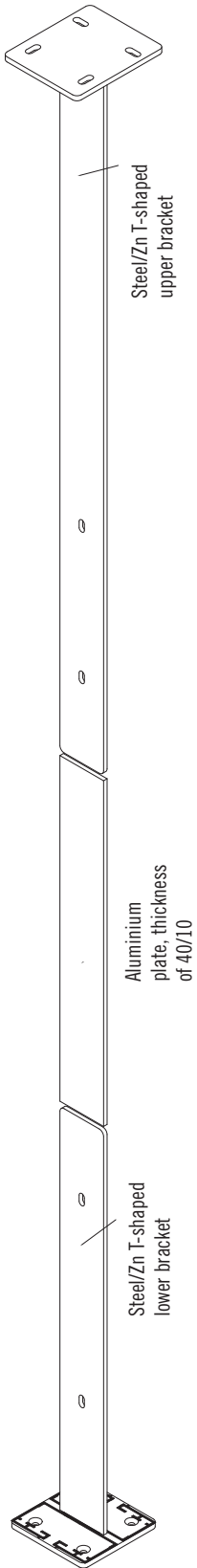
CODE 260.200.303



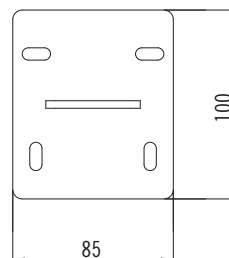
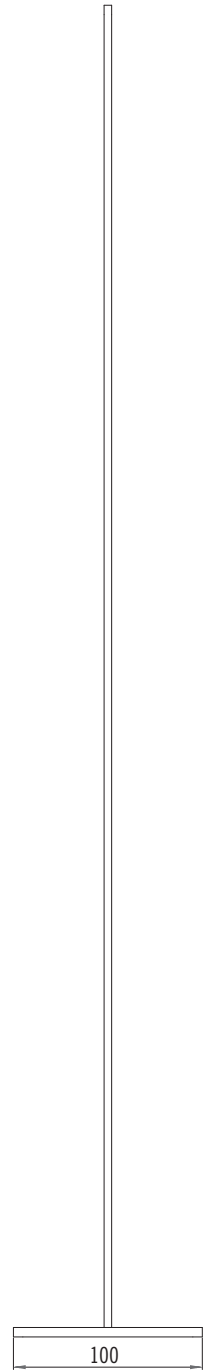
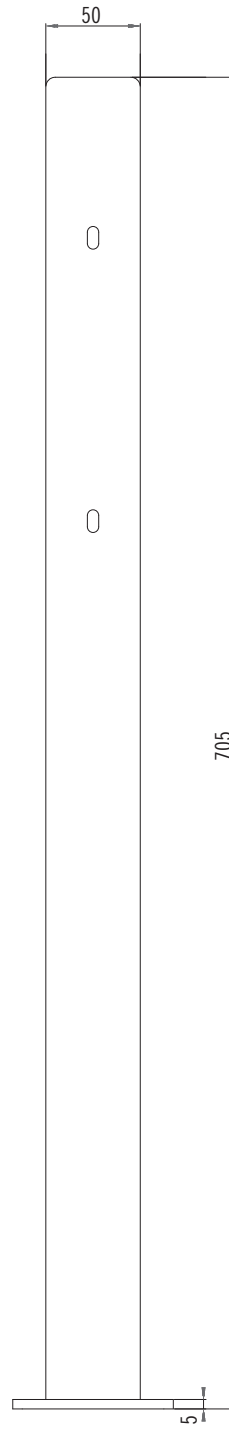
METALPAK Sb200

BRACKET SET (HIGH + LOW + PLATE)

CODE 260.200.305



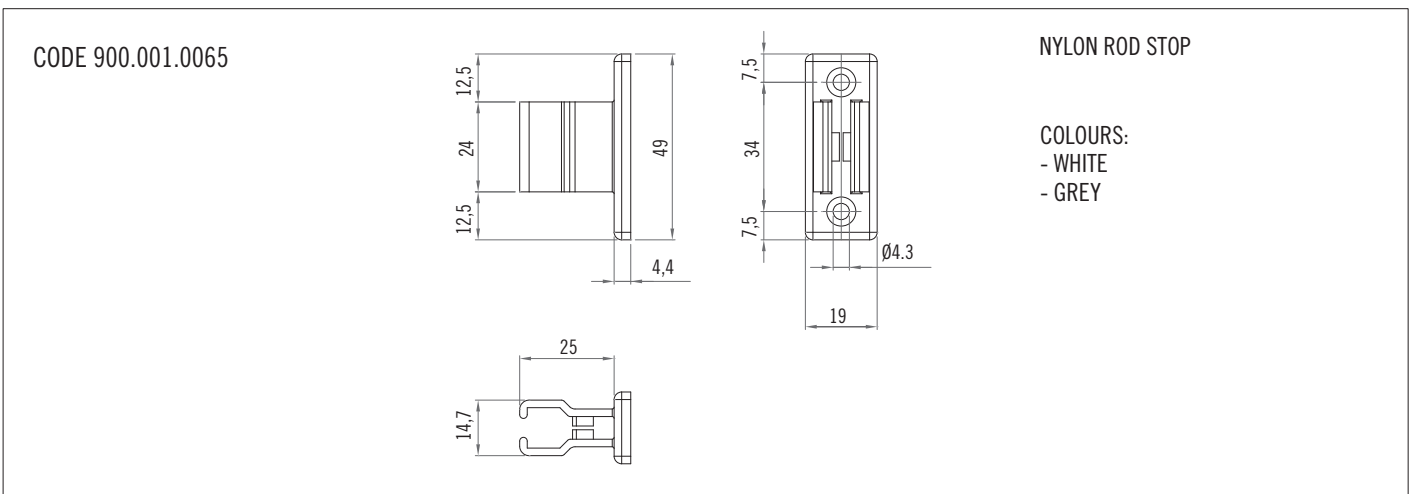
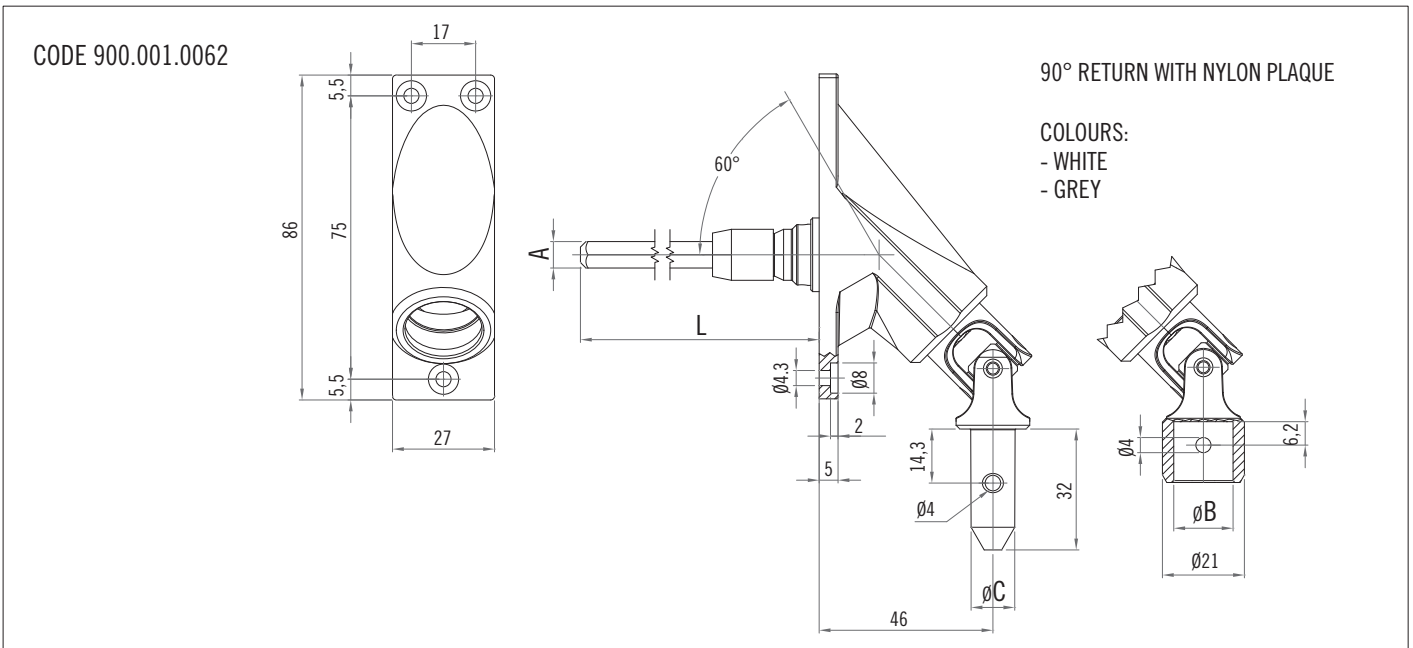
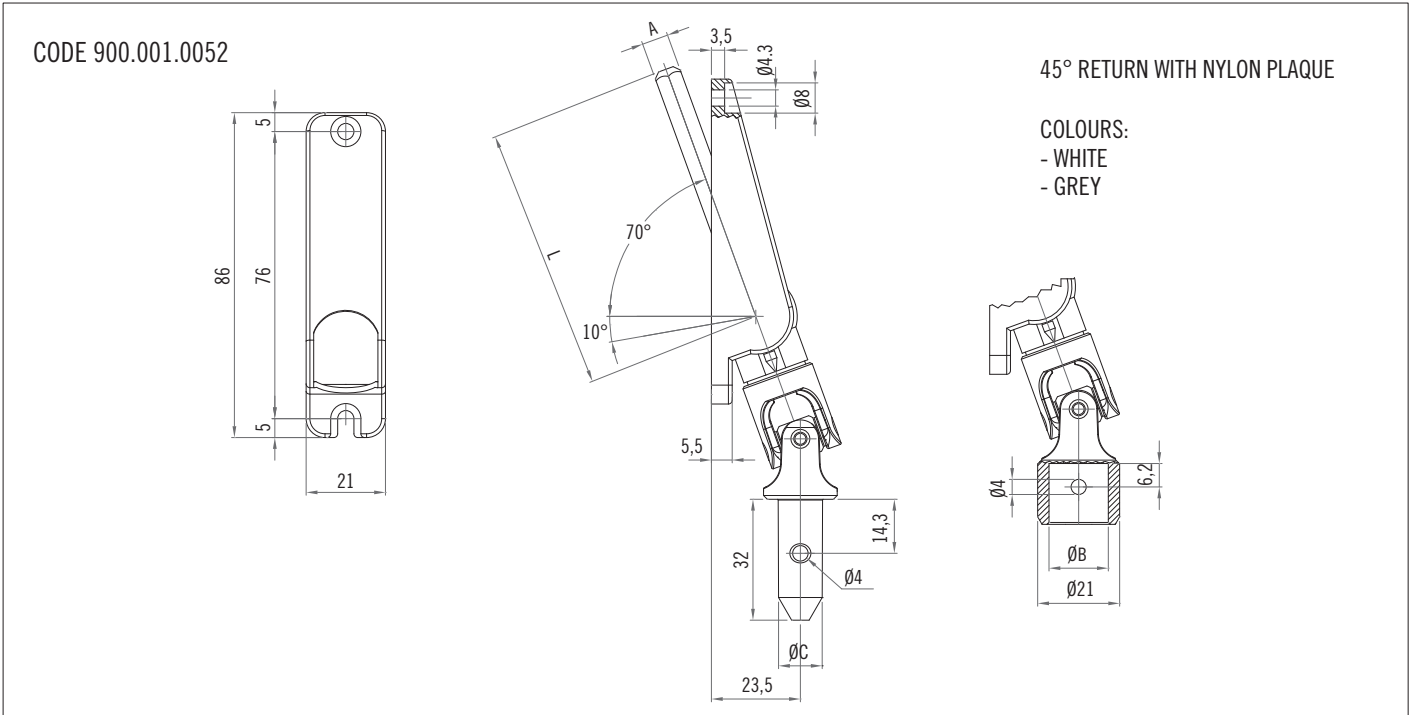
T-shaped lower bracket



T-shaped upper bracket

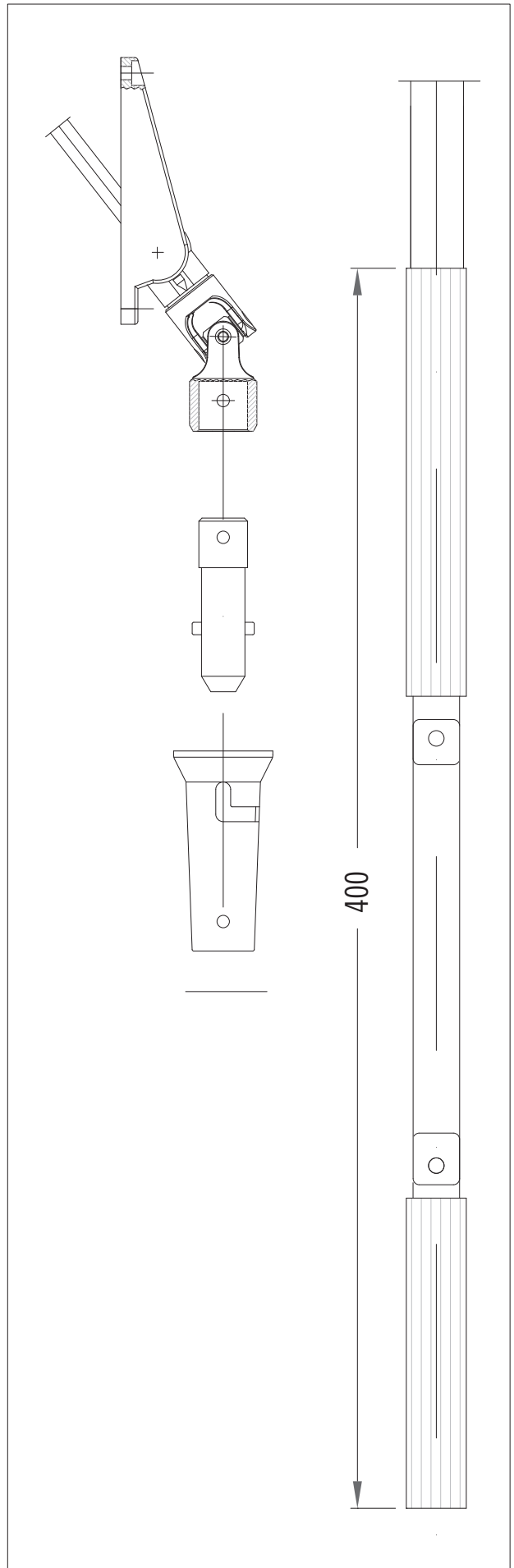
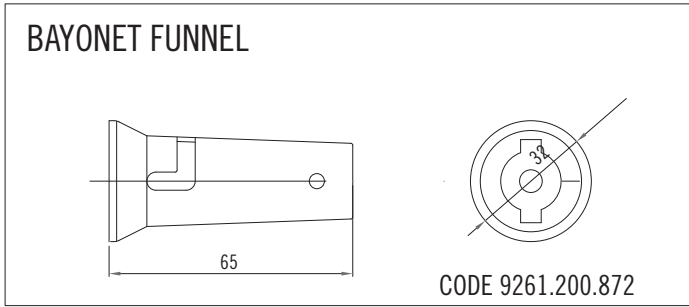
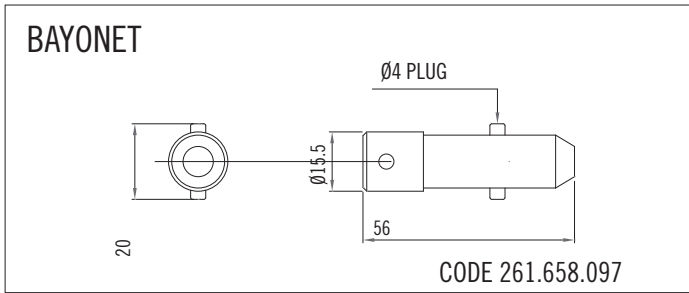
METALPAK Sb200

STANDARD 45° - 90° RETURNS AND ROD STOP



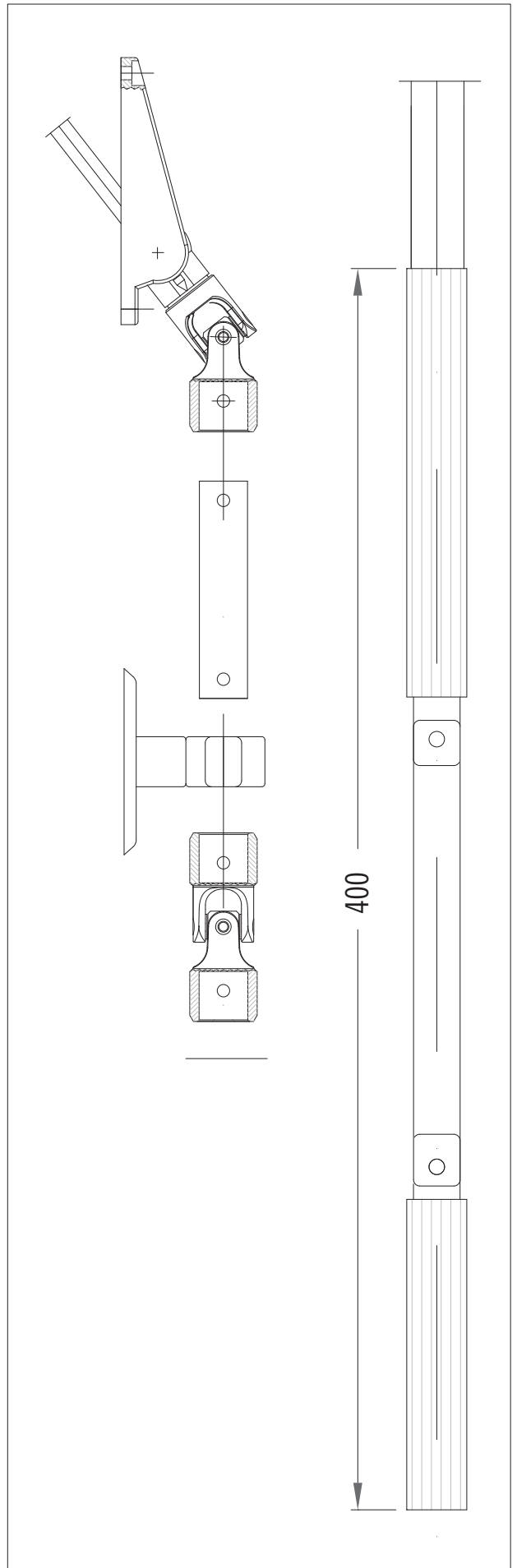
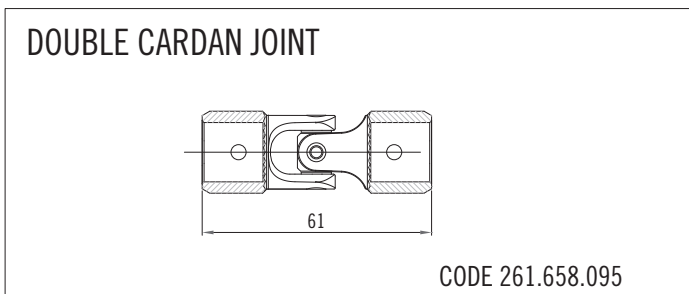
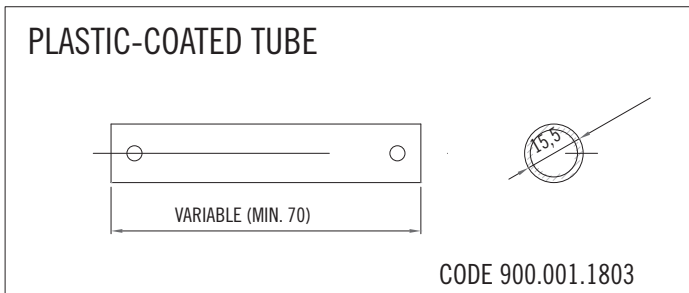
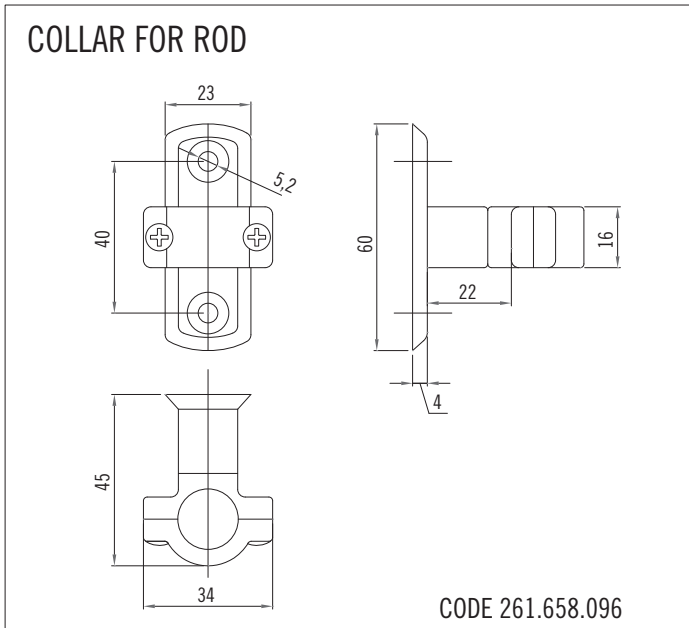
METALPAK Sb200

ACCESSORIES FOR DETACHABLE ROD WITH 45° OR 90° RETURN



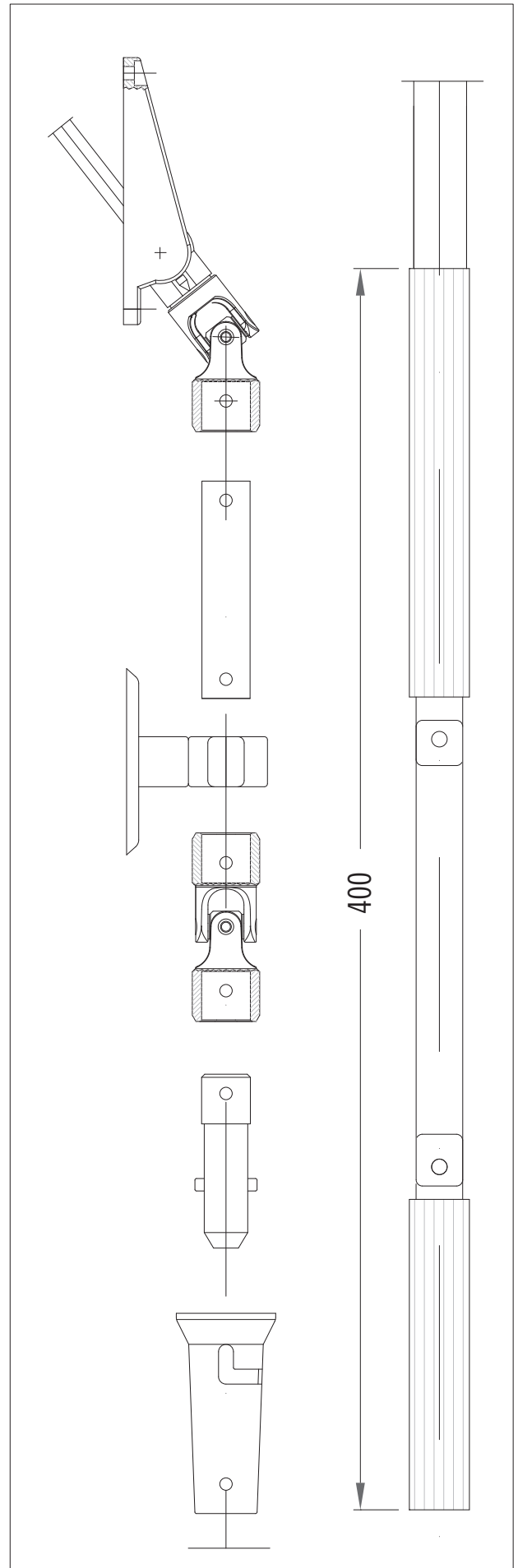
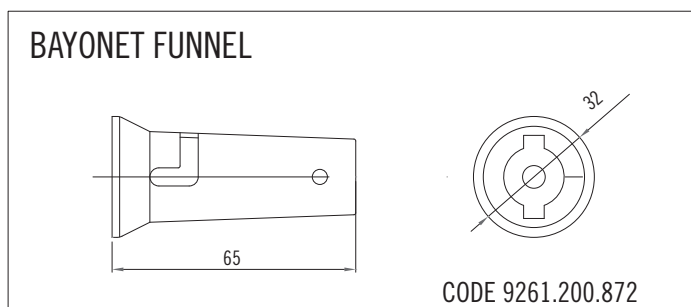
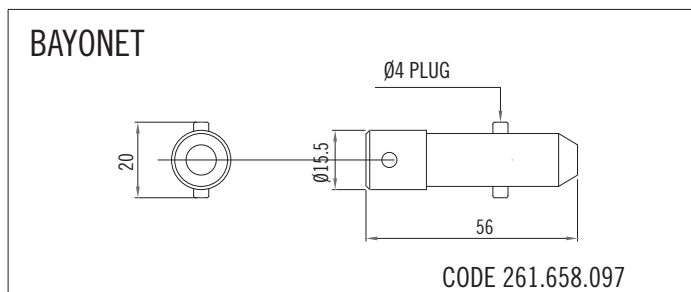
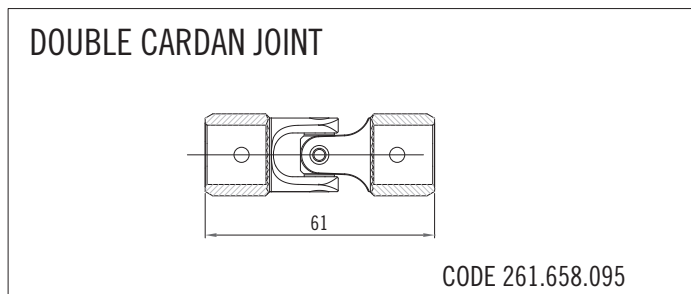
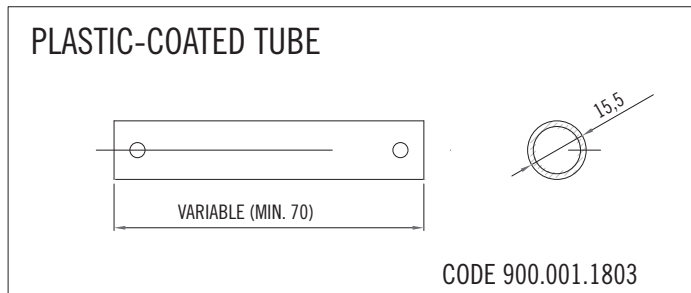
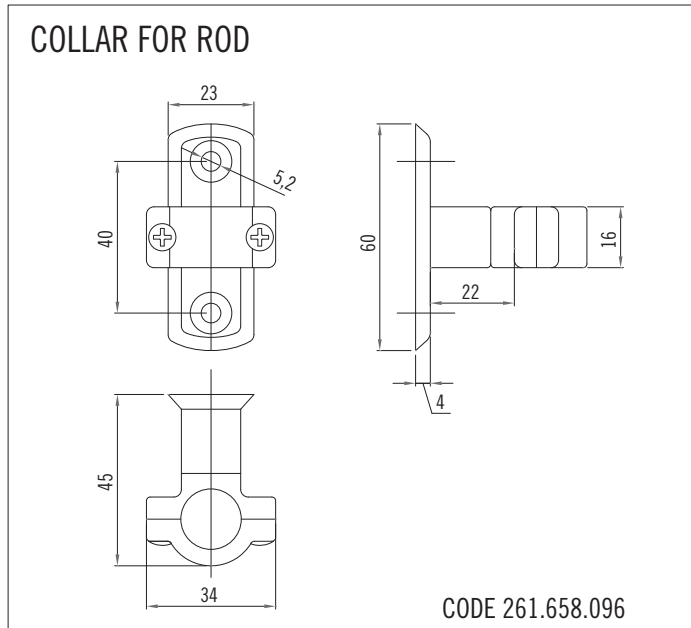
METALPAK Sb200

ACCESSORIES FOR INTERRUPTED ROD WITH 45° OR 90° RETURN



METALPAK Sb200

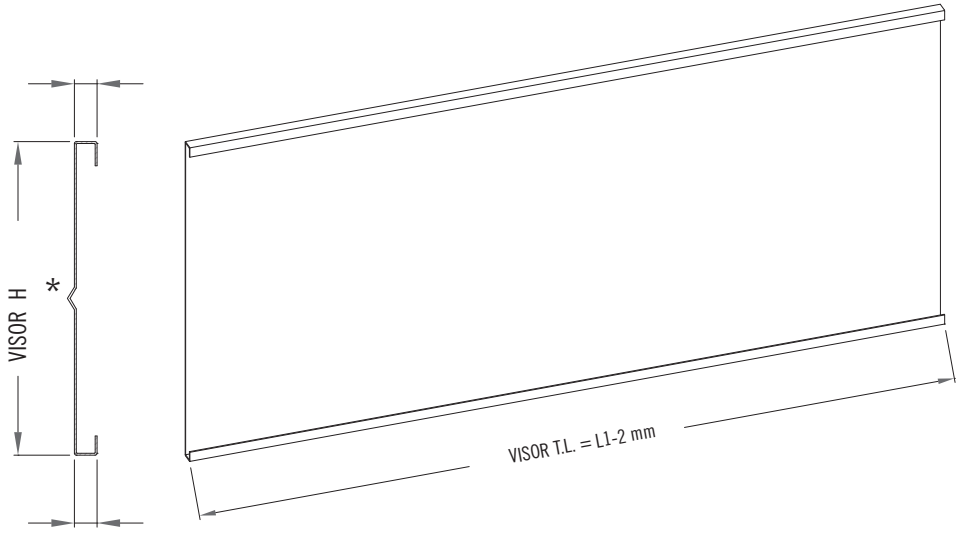
ACCESSORIES FOR INTERRUPTED DETACHABLE ROD WITH 45° OR 90° RETURN



METALPAK Sb200

STRAIGHT ALUMINIUM PRE-PAINTED VISOR, THICKNESS OF 12/10

VISOR H	CODE
180	260.518
260	260.526
325	260.532
* 380	260.538
* 425	260.542
** 550	260.550
** 625	260.562



12

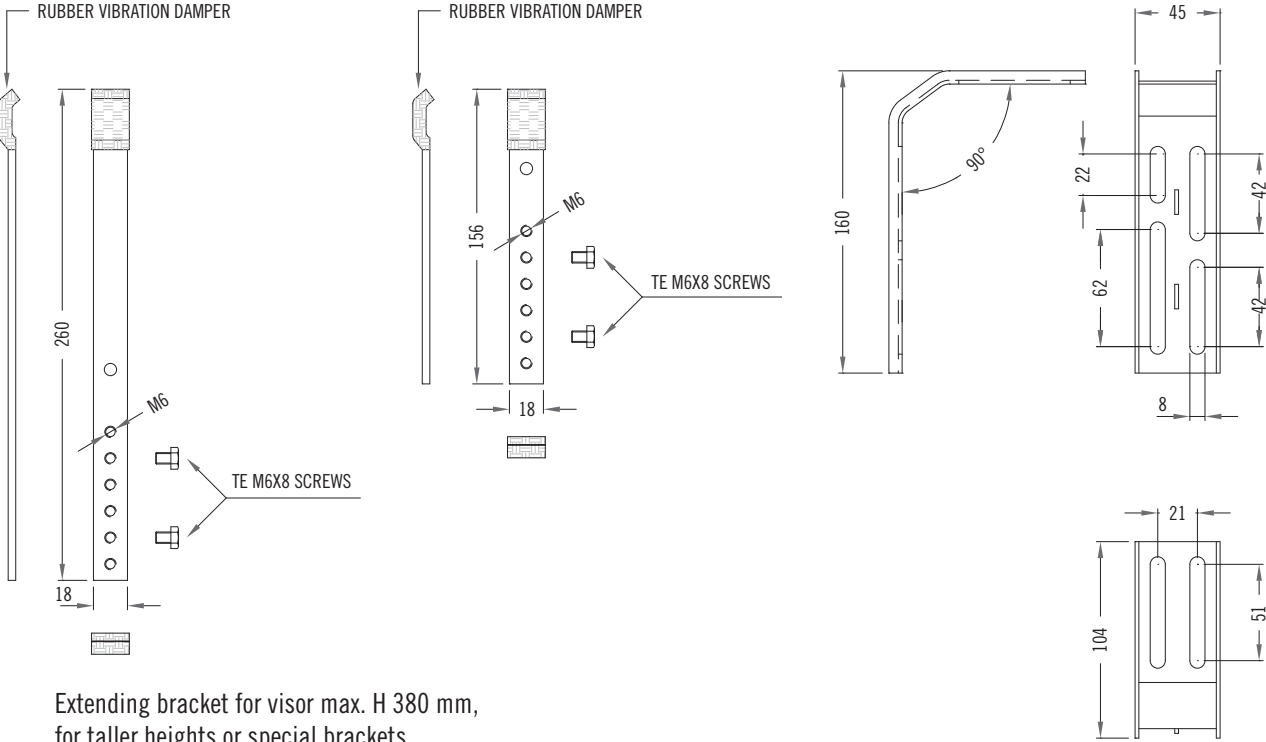
VISOR H *

VISOR T.L. = L1-2 mm

12

* = Reinforcement fold

COMPOSITION OF EXTENDING BRACKET TO SECURE VISOR



RUBBER VIBRATION DAMPER

M6

TE M6X8 SCREWS

260

18

156

18

90°

160

45

22

62

42

42

8

21

104

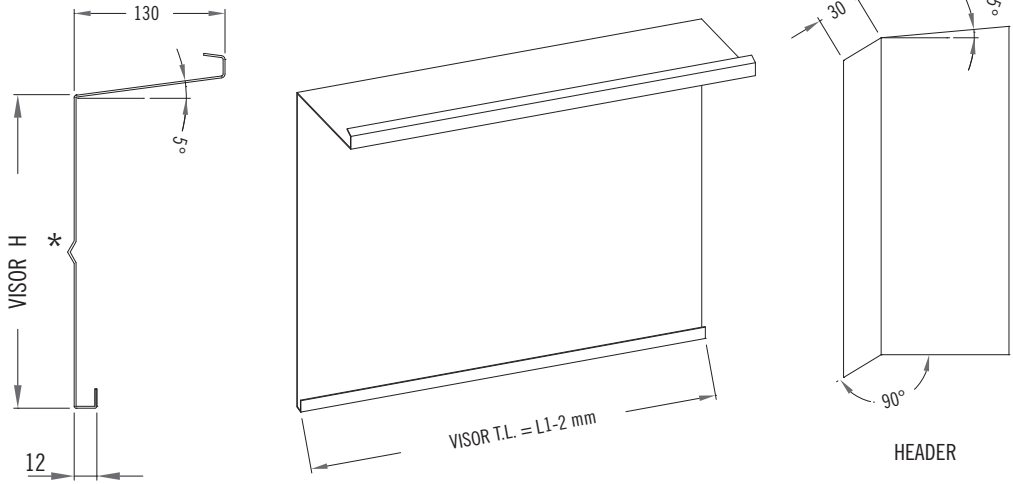
51

Extending bracket for visor max. H 380 mm,
for taller heights or special brackets,
please contact our Engineering Dept.

METALPAK Sb200

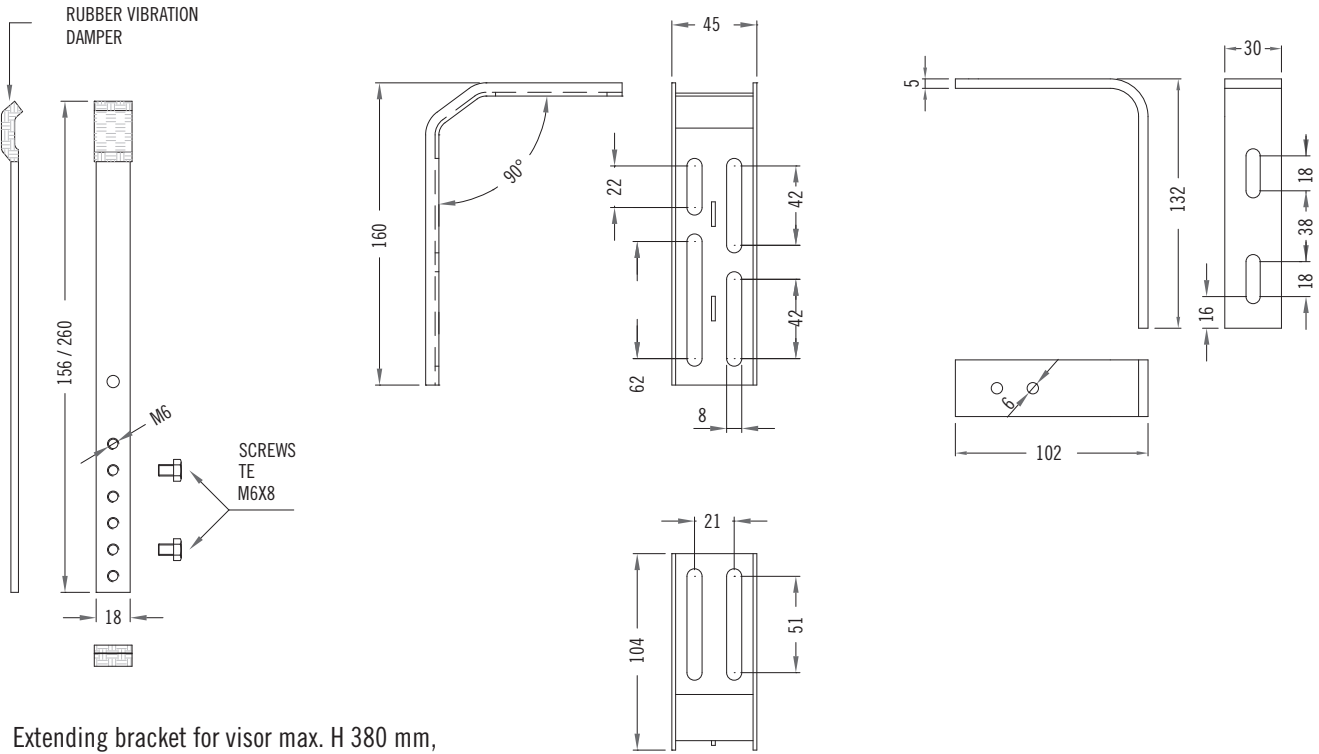
STANDARD ALUMINIUM PRE-PAINTED VISOR WITH ROOF, THICKNESS OF 12/10

H VISOR	CODE
180	260.618
260	260.626
325	260.632
* 380	260.638
* 425	260.642
** 550	260.650
** 625	260.662



* = Reinforcement fold

COMPOSITION OF EXTENDING BRACKET TO SECURE VISOR

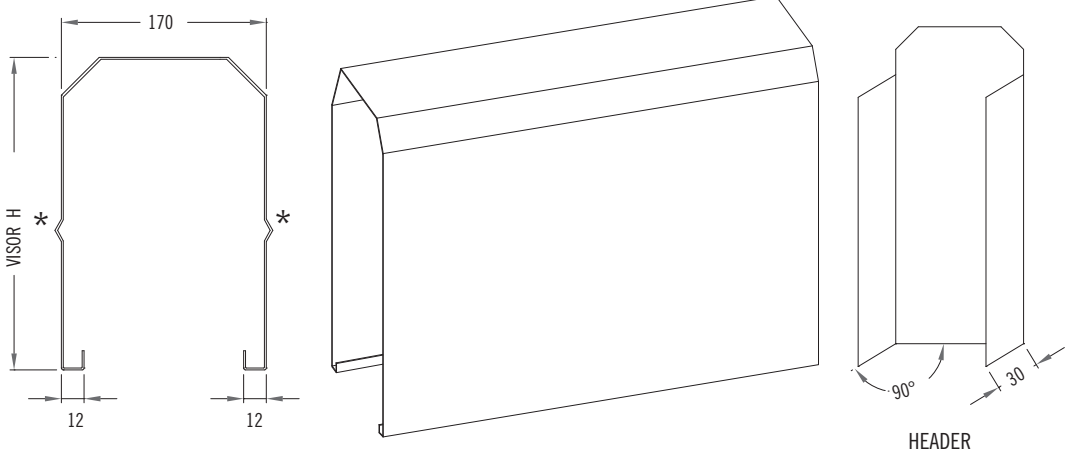


Extending bracket for visor max. H 380 mm,
for taller heights or special brackets,
please contact our Engineering Dept.

METALPAK Sb200

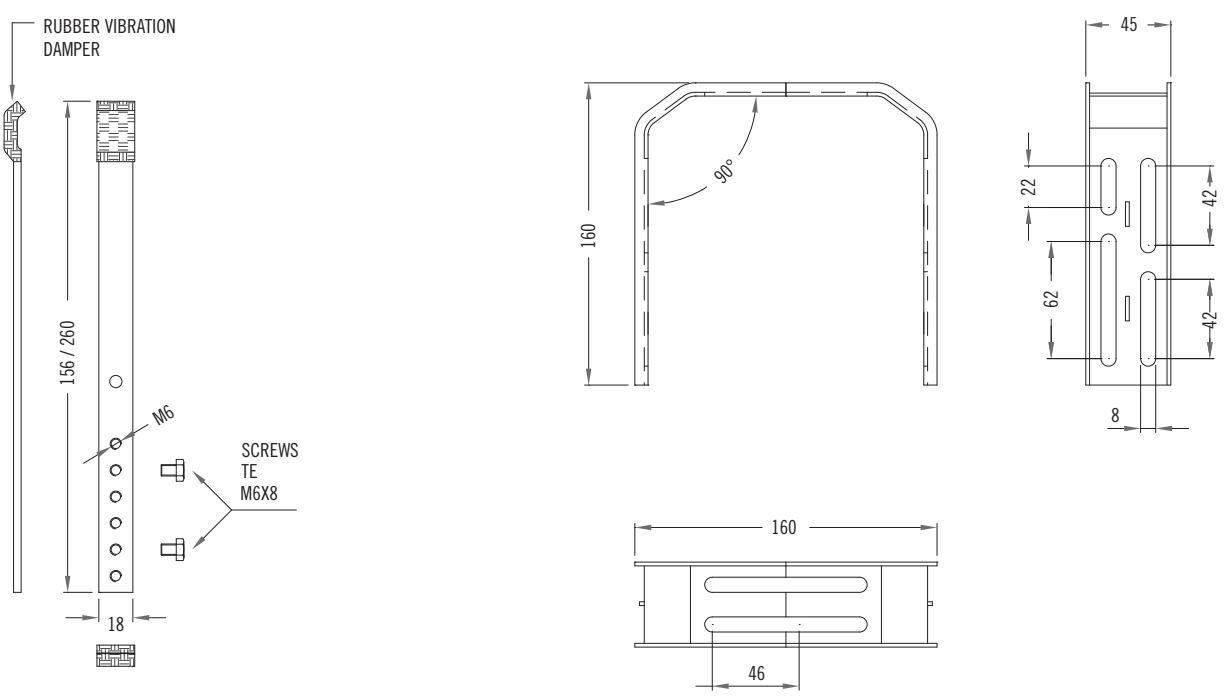
U-SHAPED ALUMINIUM PRE-PAINTED VISOR, THICKNESS OF 12/10

H VISOR	CODE
180	260.518
260	260.526
325	260.532
* 380	260.538
* 425	260.542
** 550	260.550
** 625	260.562



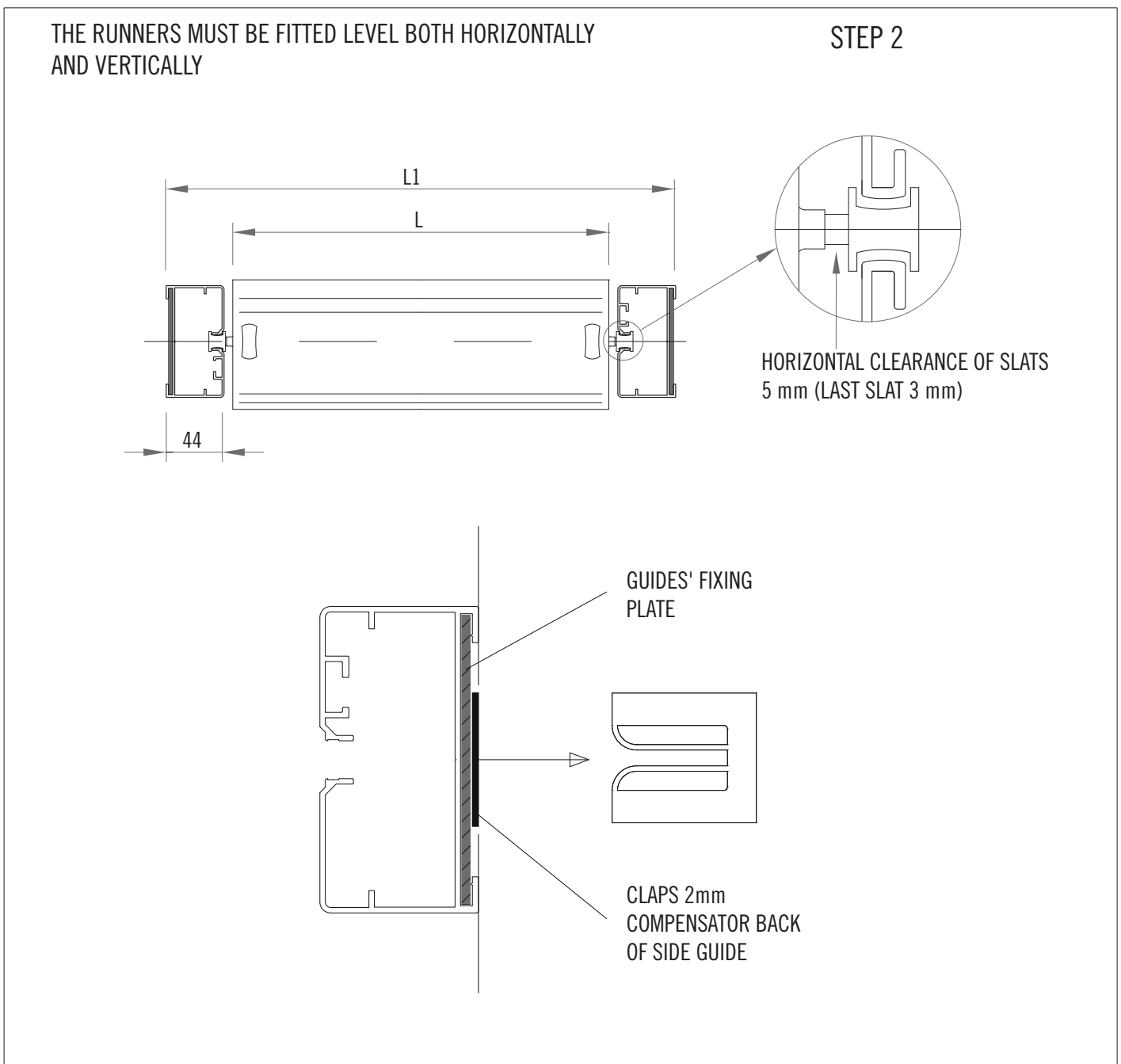
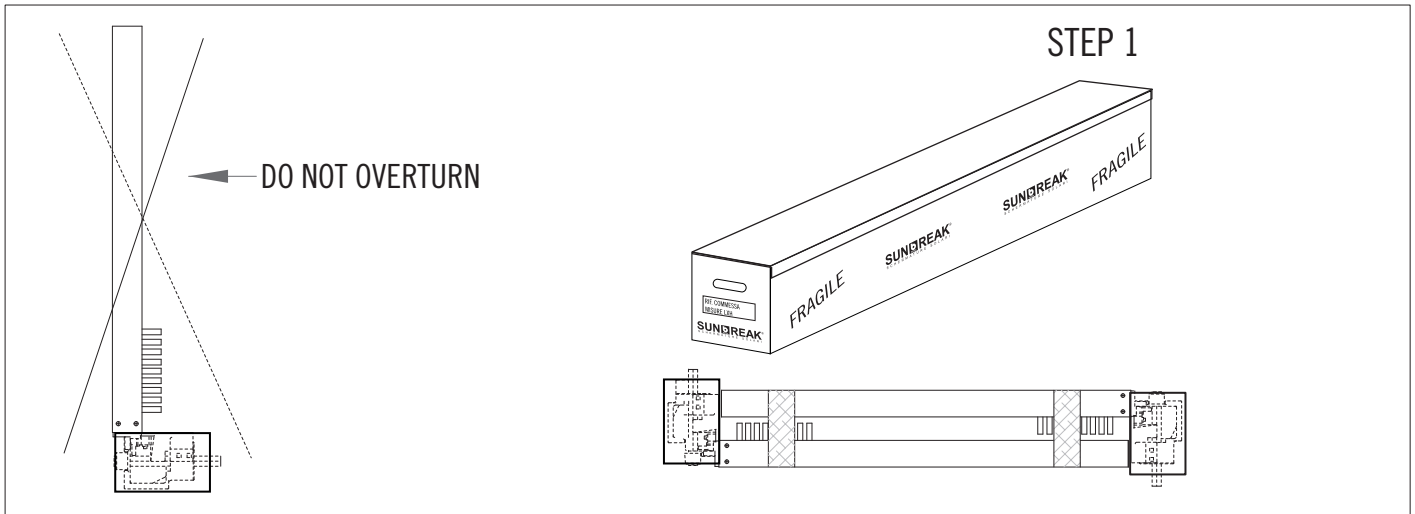
* = Reinforcement fold

COMPOSITION OF EXTENDING BRACKET TO SECURE VISOR

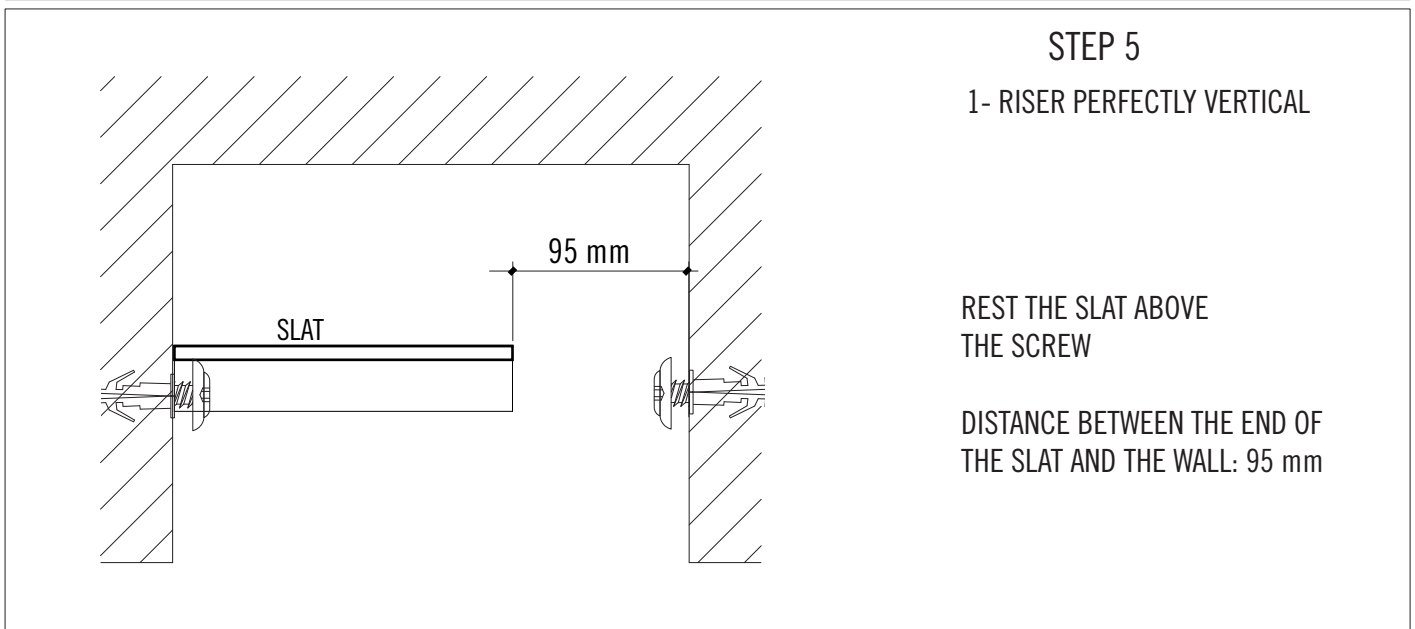
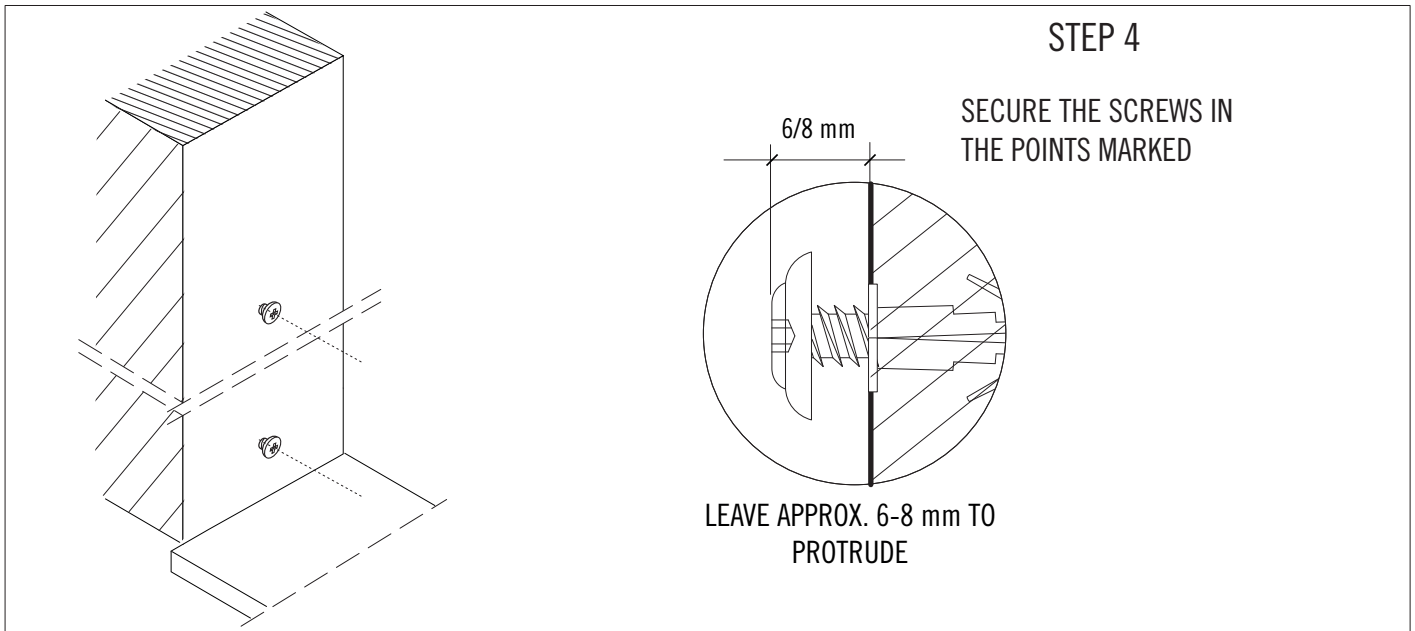
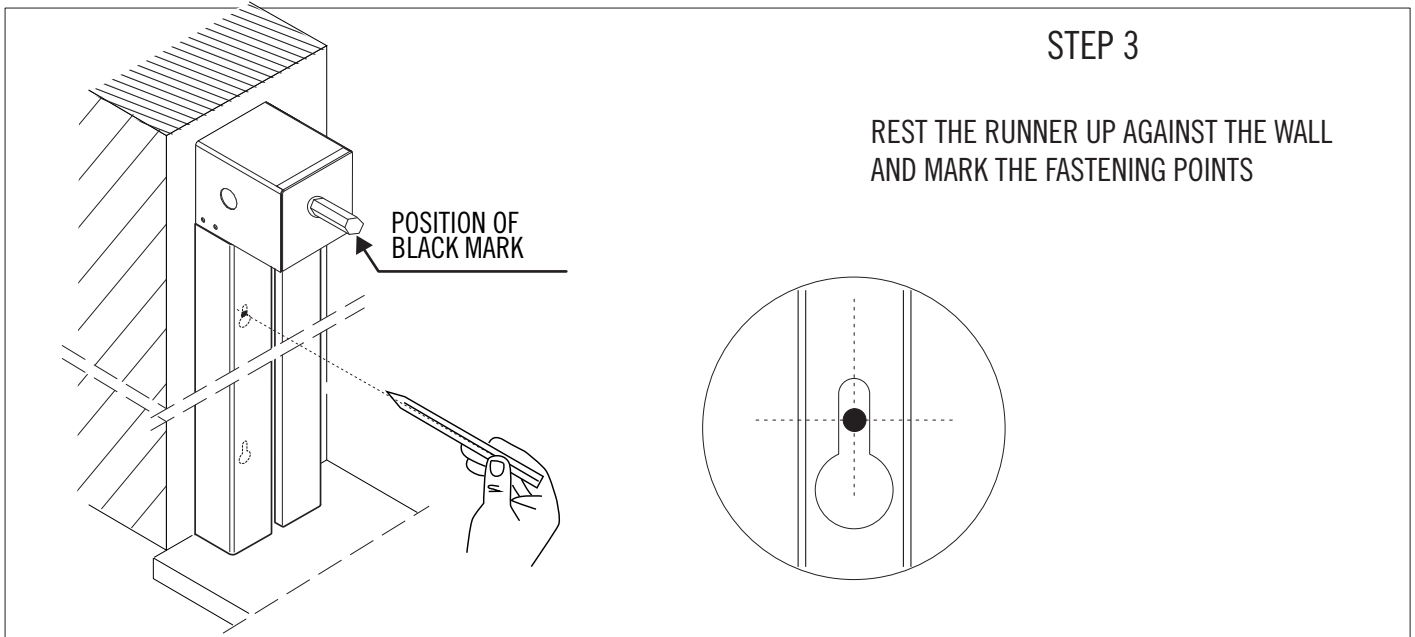


Extending bracket for visor max. H 380 mm,
for taller heights or special brackets,
please contact our Engineering Dept.

METALPAK Sb200
FITTING AND INSTALLATION INSTRUCTIONS



METALPAK Sb200 FITTING AND INSTALLATION INSTRUCTIONS



METALPAK Sb200
FITTING AND INSTALLATION INSTRUCTIONS

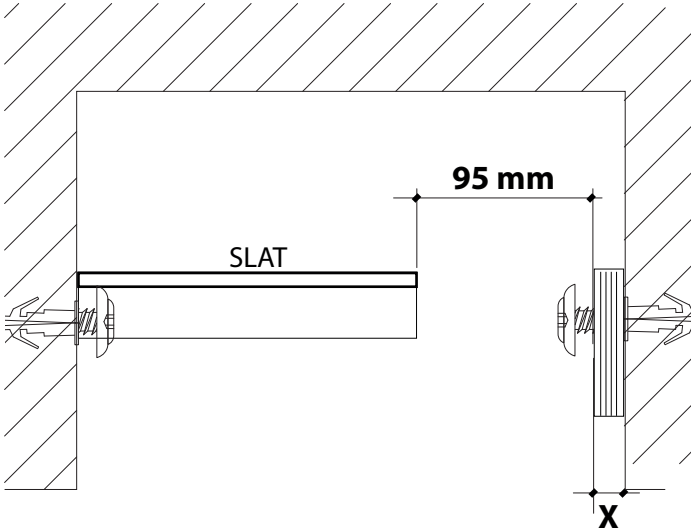
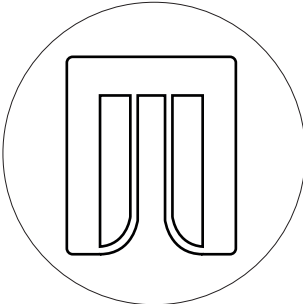


Diagram for Step 6: A cross-section of a slat and riser assembly. The slat is labeled 'SLAT' and is positioned 95 mm from the riser. The gap between the slat and the riser at the bottom is labeled 'X'.

STEP 6

2- ONE RISER VERTICAL, THE OTHER TO BE COMPENSATED



X = MAX. 5 mm COMPENSATE ON ONE SIDE

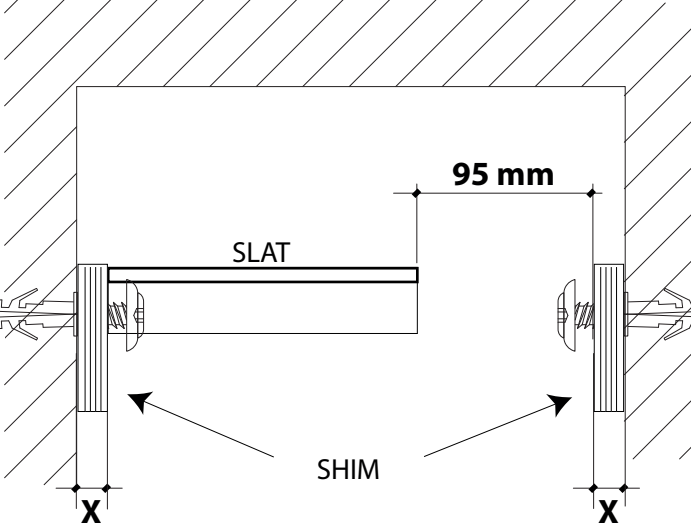


Diagram for Step 7: A cross-section of a slat and riser assembly. The slat is labeled 'SLAT' and is positioned 95 mm from the riser. The gap between the slat and the riser at the bottom is labeled 'X'. Shims are shown between the riser and the wall, labeled 'SHIM'.

STEP 7

3- TWO RISERS NOT VERTICAL TO BE COMPENSATED

X = MORE THAN 5 mm ADD SHIMS ON BOTH SIDES

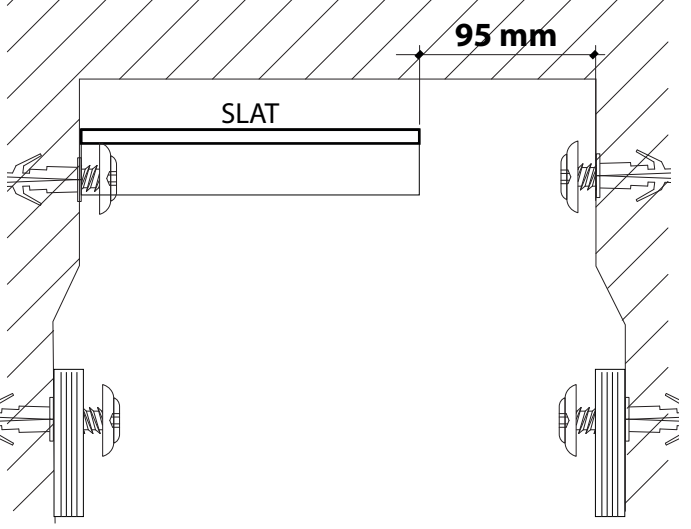


Diagram for Step 8: A cross-section of a slat and riser assembly. The slat is labeled 'SLAT' and is positioned 95 mm from the riser. The gap between the slat and the riser at the bottom is labeled 'X'.

STEP 8

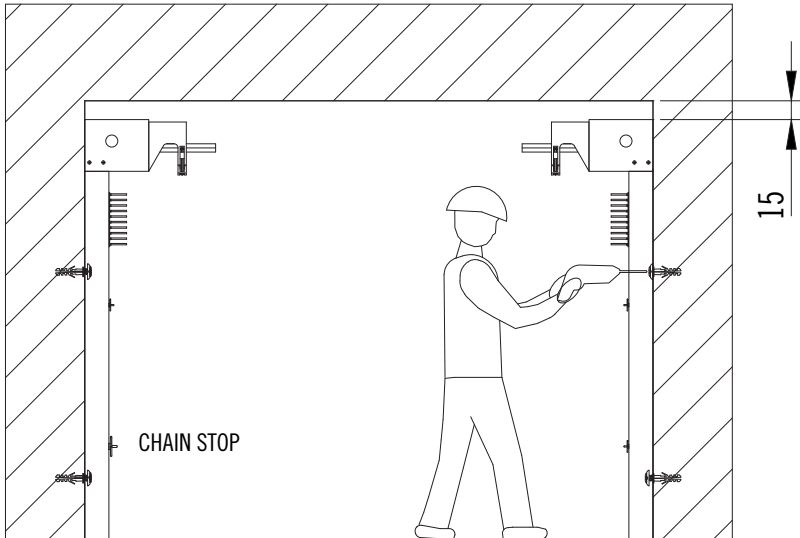
3- RISER VERTICAL AT THE TOP AND NOT VERTICAL AT THE BOTTOM (OR VICE-VERSA)

RISER OUT OF VERTICALITY

METALPAK Sb200
FITTING AND INSTALLATION INSTRUCTIONS

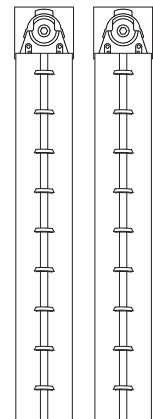
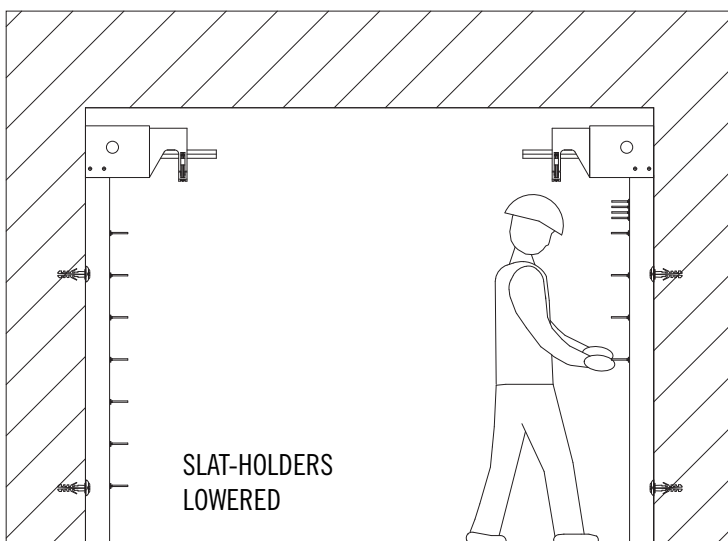
STEP 9

SECURE THE SIDE RUNNERS
WITH THE SLAT-HOLDERS
GATHERED, WITHOUT REMOVING
THE CHAIN STOPS



STEP 10

LOWER THE SLAT-HOLDERS,
ALLOWING THEM TO SLIDE
DOWN TO THE LOWER POSITION



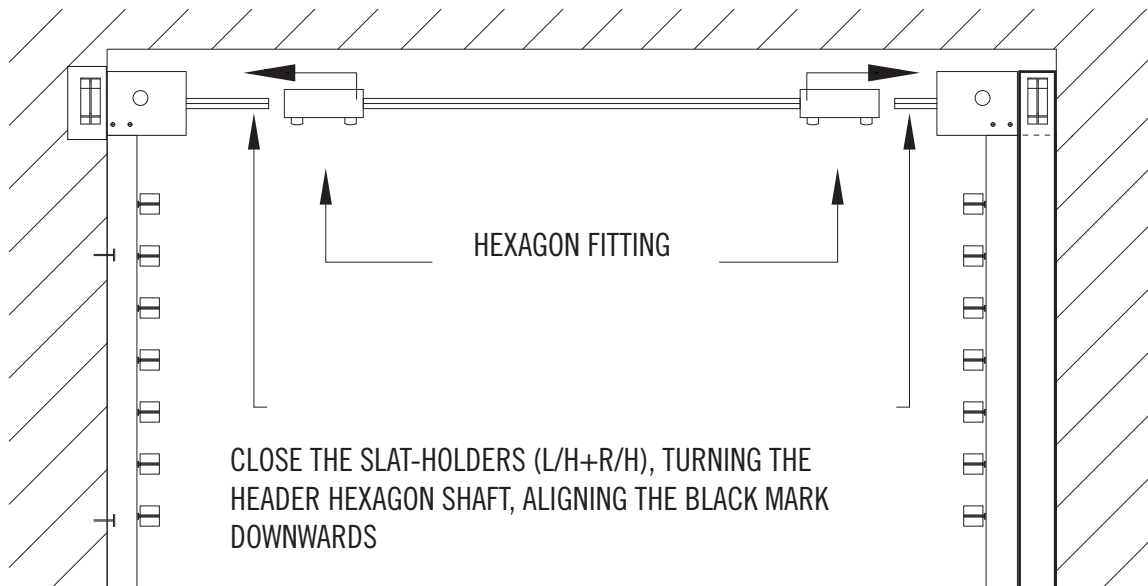
METALPAK Sb200
FITTING AND INSTALLATION INSTRUCTIONS

STEP 11 "A"

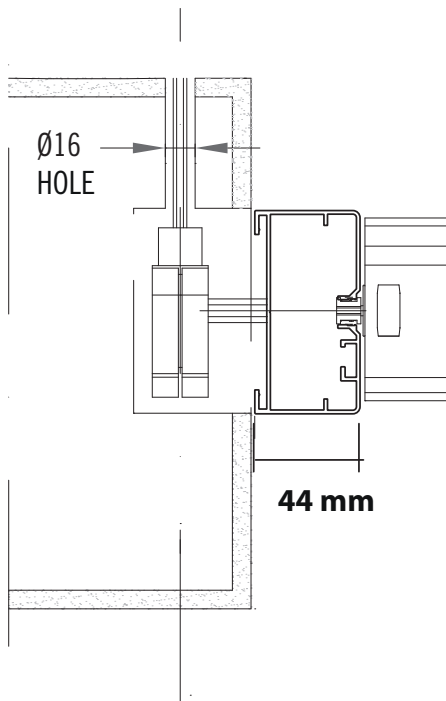
WINCH-OPERATED CONTROL

WINCH-OPERATED CONTROL BEYOND RUNNER
INSET INTO THE RISER

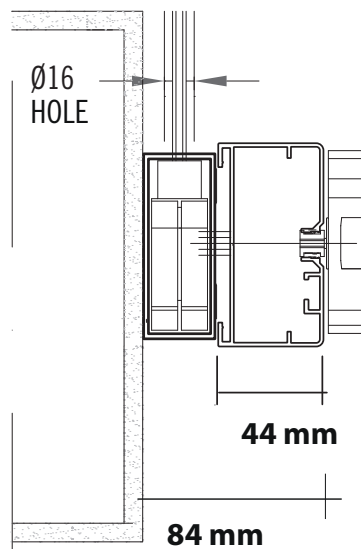
WINCH-OPERATED CONTROL BEYOND
RUNNER INSET INTO THE POST 80X40X2



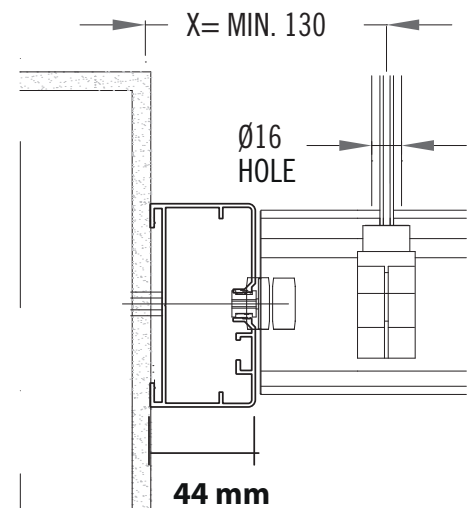
WINCH INSET INTO THE RISER



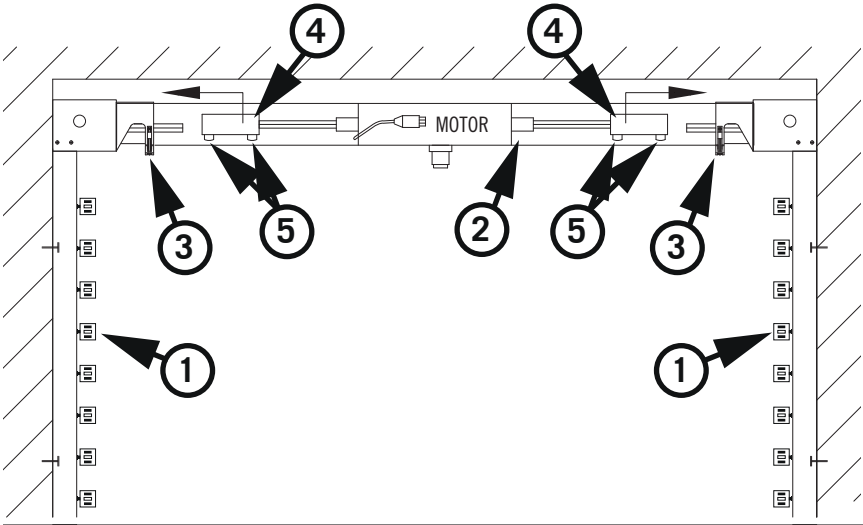
WINCH INSERTED ONTO THE VERTICAL TUBULAR MEMBER



WINCH IN COMPARTMENT GAP



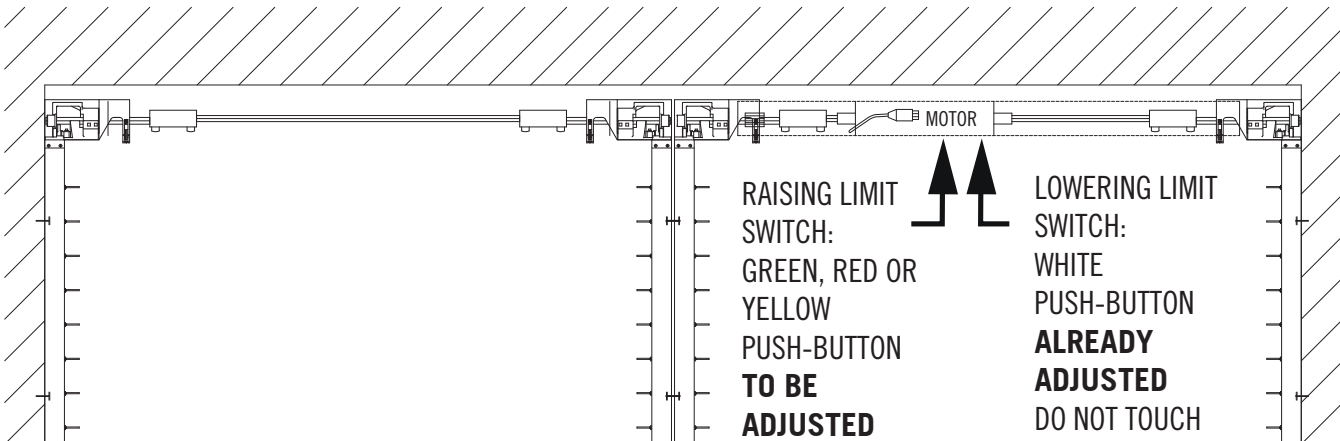
METALPAK Sb200
FITTING AND INSTALLATION INSTRUCTIONS



STEP 12 "M"
MOTOR-OPERATED CONTROL

- 1-** CLOSE THE SLAT-HOLDERS (L/H+R/H), TURNING THE HEADER HEXAGON SHAFT, ALIGNING THE BLACK MARK DOWNWARDS
- 2-** POSITION BOX WITH THE LABEL FACING INWARDS AND THE MOTOR CABLE ON THE LEFT FACING INWARDS CENTRE THE BOX BETWEEN THE TWO SUPPORTS.
- 3-** TIGHTEN SCREWS
- 4-** INSERT THE MOTOR SHAFT FITTING ONTO THE HEADER SHAFT.
- 5-** TIGHTEN SCREWS

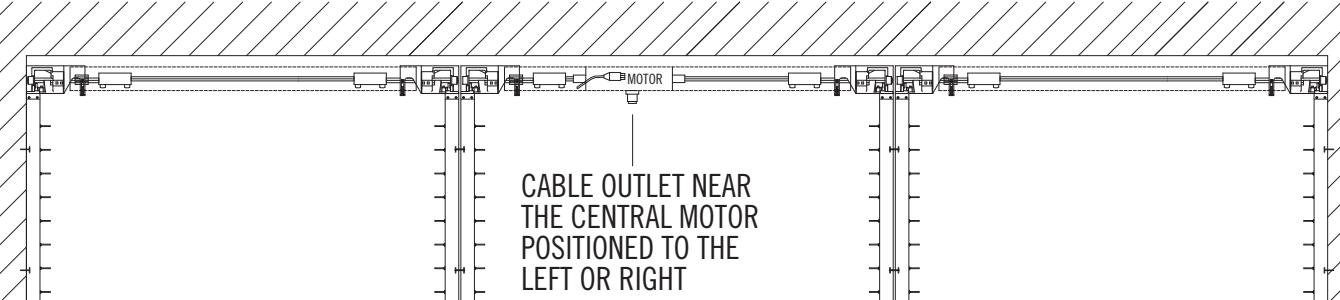
COMBINATION OF 2 METALPAKS
RIGHT-HAND OR LEFT-HAND MOTOR NEAR THE RUNNER COUPLING



RAISING LIMIT SWITCH:
GREEN, RED OR YELLOW
PUSH-BUTTON
TO BE ADJUSTED

LOWERING LIMIT SWITCH:
WHITE
PUSH-BUTTON
ALREADY ADJUSTED
DO NOT TOUCH

COMBINATION OF 3 METALPAKS:
MOTOR ON THE SECOND BLIND NEAR THE COUPLING OF THE LEFT OR RIGHT RUNNER



CABLE OUTLET NEAR THE CENTRAL MOTOR
POSITIONED TO THE LEFT OR RIGHT

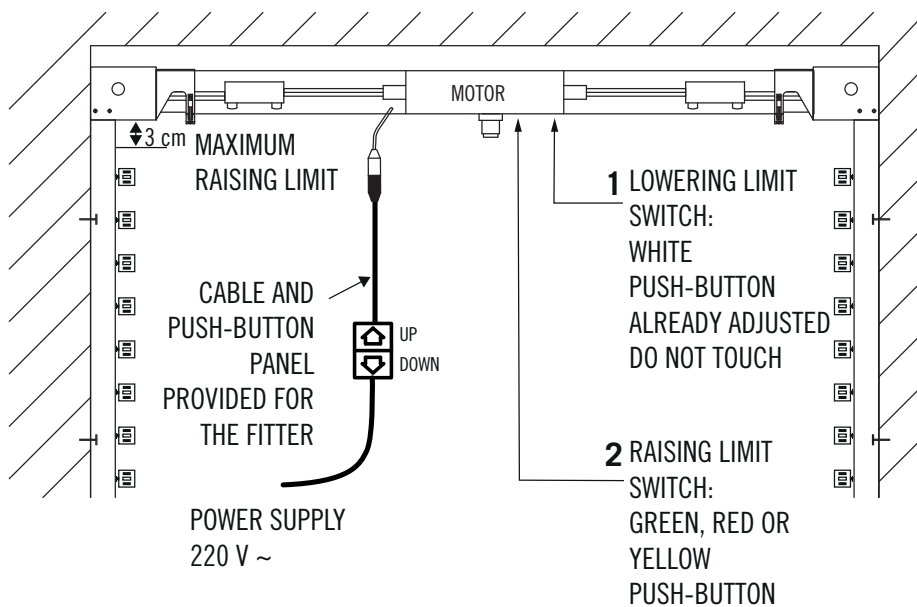
THE RECESSED CONTROL CABLE MUST REACH HALF-WAY INTO THE HOLE CONCERNED BY THE CONTROL. RECESSED OUTLET AT THE HIGHEST POINT AND/OR ON THE SIDE OF THE RISERS CONCERNED.

METALPAK Sb200
FITTING AND INSTALLATION INSTRUCTIONS

STEP 13

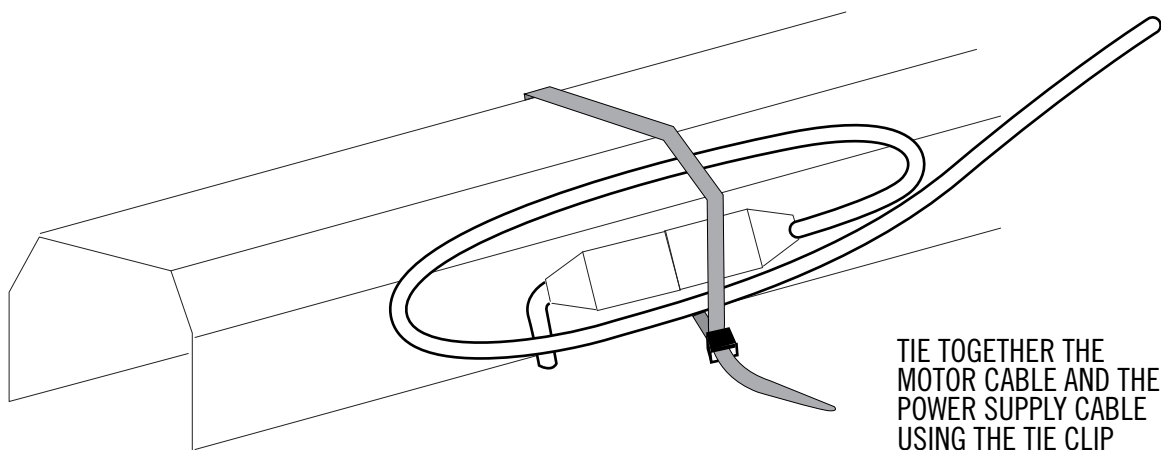
**BEFORE ADJUSTING THE RAISING MOTOR LIMIT SWITCH,
ADJUST THE SLAT-HOLDER AND FIT THE FIRST 10 SLATS AT THE BOTTOM**

RAISING LIMIT SWITCH ADJUSTMENT



1 PRESS THE POWER SUPPLY CABLE RAISING PUSH-BUTTON, AND AT THE SAME TIME PRESS THE MOTOR RAISING PUSH-BUTTON (GREEN, RED OR YELLOW) LEAVING A GAP OF 3 cm BETWEEN THE HEADER AND THE FIRST SLAT AT THE TOP.

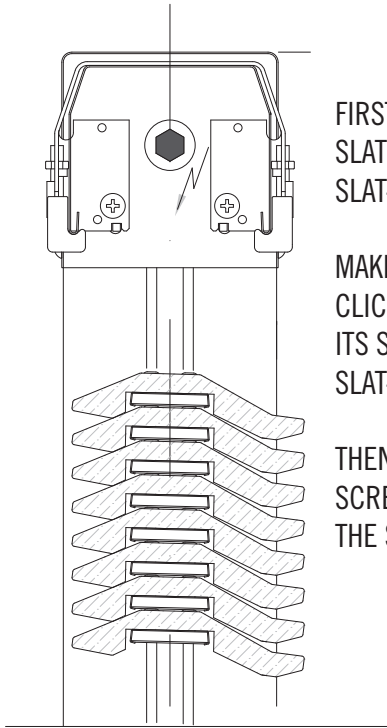
2 PRESS THE POWER SUPPLY CABLE LOWERING PUSH-BUTTON. LOWER BY APPROX. 20 cm LIMIT SWITCH ADJUSTED.



TIE TOGETHER THE MOTOR CABLE AND THE POWER SUPPLY CABLE USING THE TIE CLIP PROVIDED

METALPAK Sb200
FITTING AND INSTALLATION INSTRUCTIONS

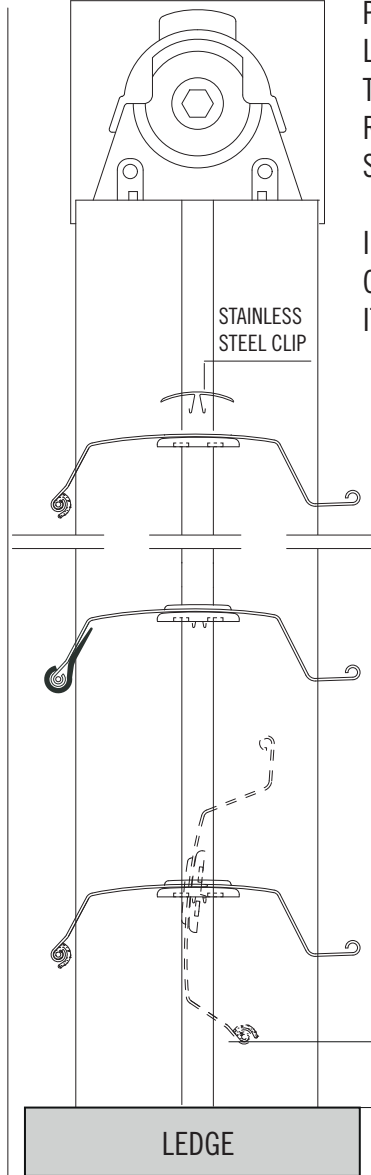
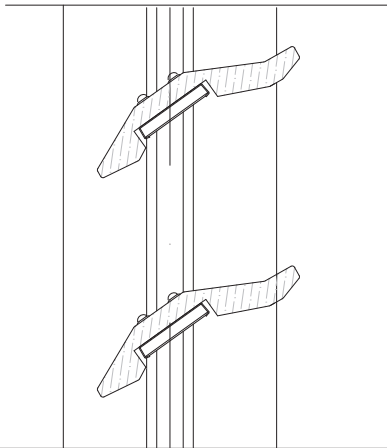
STEP 14



FIRST POSITION THE SLAT CLIP ON THE L/H SLAT-HOLDER

MAKE SURE THE CLIP CLICKS INTO PLACE IN ITS SEAT (#) IN THE L/H SLAT-HOLDER

THEN TIGHTEN THE SCREWS ON THE SLAT TO THE SLAT-HOLDER



POSITION THE SLAT TO THE LEFT AND RIGHT INSERTING THE SLAT SLOTS INTO THE RAISED SEATS IN THE CAST SLAT-HOLDERS

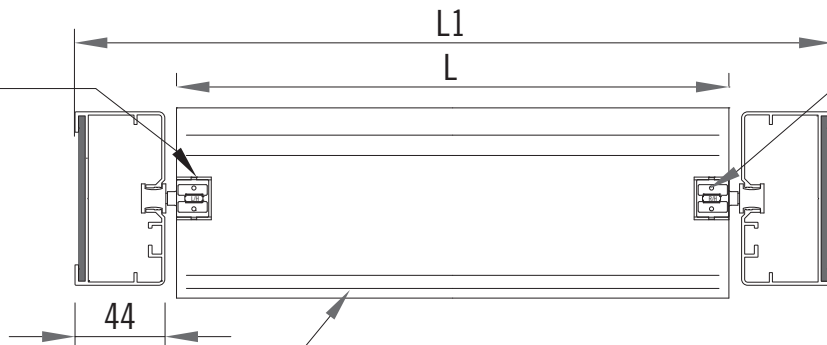
INSERT THE STAINLESS STEEL CLIP, PRESS AND MAKE SURE IT CLICKS INTO PLACE

STAINLESS STEEL CLIP

15 mm

LEDGE

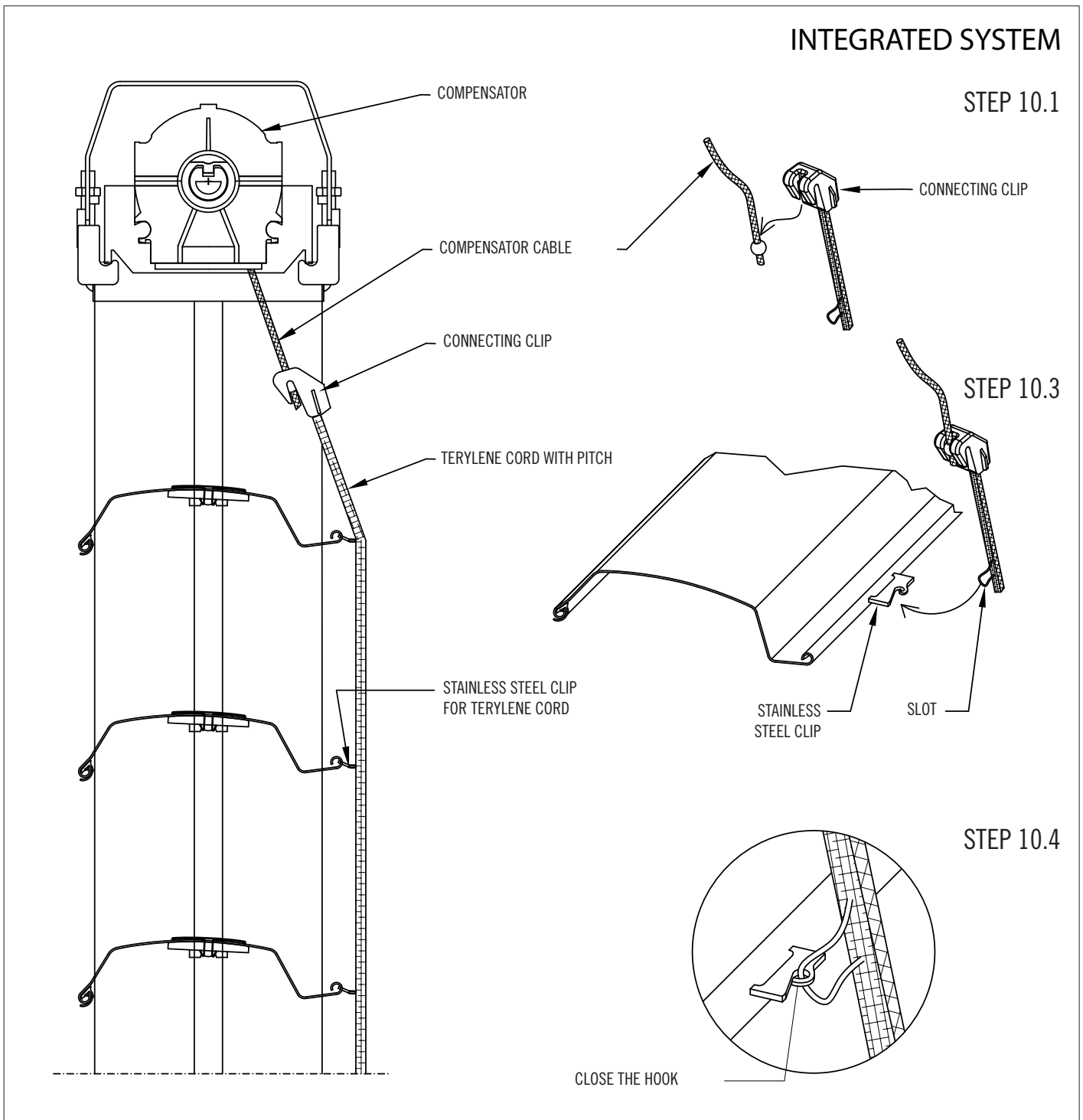
L/H FIXED SLAT CLIP FACING INWARDS



SLAT CLIP FOR CLEARANCE ADJUSTMENT OF +/- 2.5 mm

THE CLEARANCE IS OBTAINED BY MOVING THE SLAT HORIZONTALLY

METALPAK Sb200
FITTING AND INSTALLATION INSTRUCTIONS

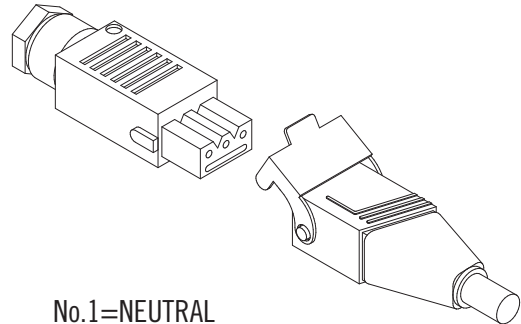
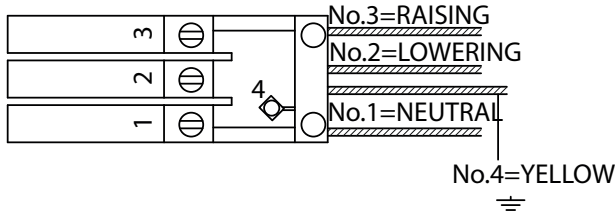


FITTING THE TERYLENE CORD WITH PITCH ONTO THE SLATS

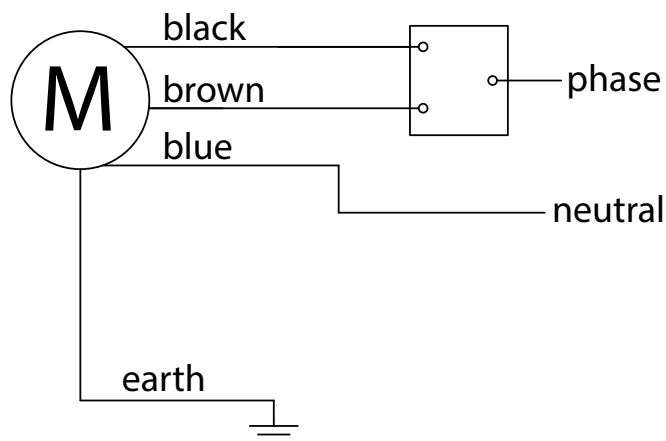
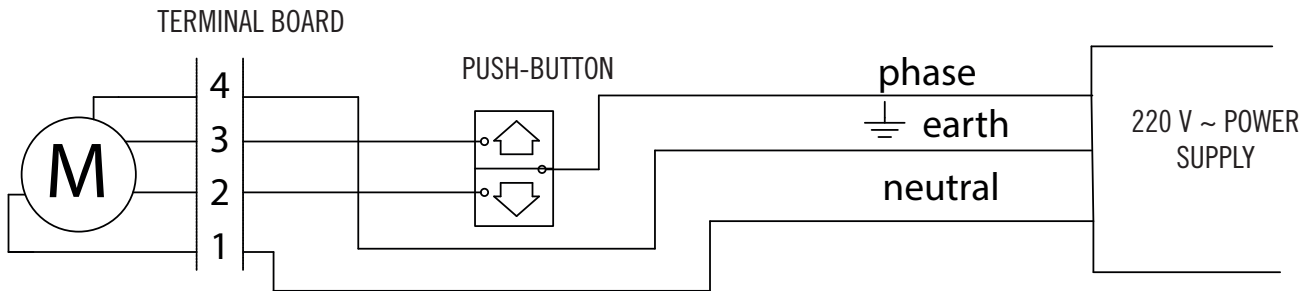
- STEP 10.1 TO ATTACH THE COMPENSATOR CABLE TO THE TERYLENE CABLES
- STEP 10.2 FITTING THE SLATS AND STAINLESS STEEL CLIPS
- STEP 10.3 INSERT TERYLENE SLOT ONTO THE STAINLESS STEEL CLIPS SECURED TO THE SLATS
- STEP 10.4 CLOSE THE HOOK ON THE STAINLESS STEEL CLIP

METALPAK Sb200
CONNECTION OF **1 MOTOR**

HIRSCHMANN PLUG WIRING POWER
SUPPLY + 4-CONTACT SWITCH



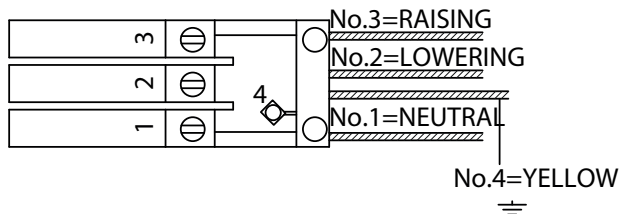
No.1=NEUTRAL
No.2=LOWERING PUSH-BUTTON
No.3=RAISING PUSH-BUTTON
No.4=EARTH



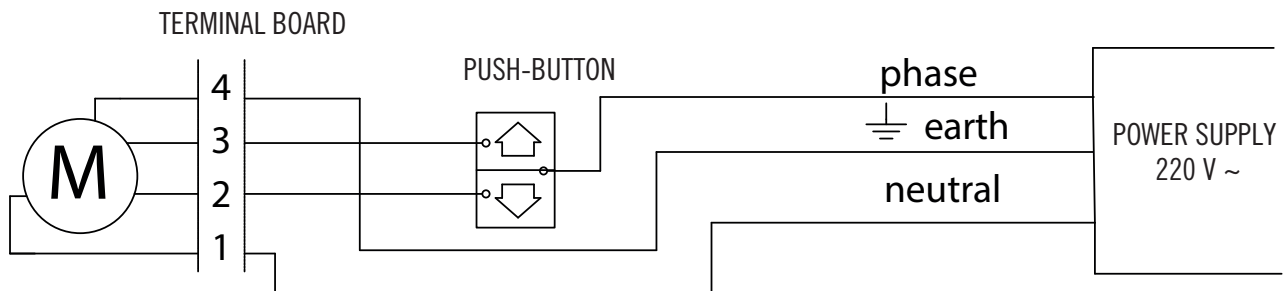
FOR CONNECTIONS OF 3 OR MORE MOTORS WITH GROUP CONTROLS, FLOOR CONTROLS, SIDE CONTROLS AND/OR SUN/WIND SENSOR, PLEASE CONTACT OUR ENGINEERING DEPT.

METALPAK Sb200
CONNECTION OF **2 MOTORS** WITH CONTROL UNIT

HIRSCHMANN PLUG WIRING
POWER SUPPLY + 4-CONTACT
SWITCH

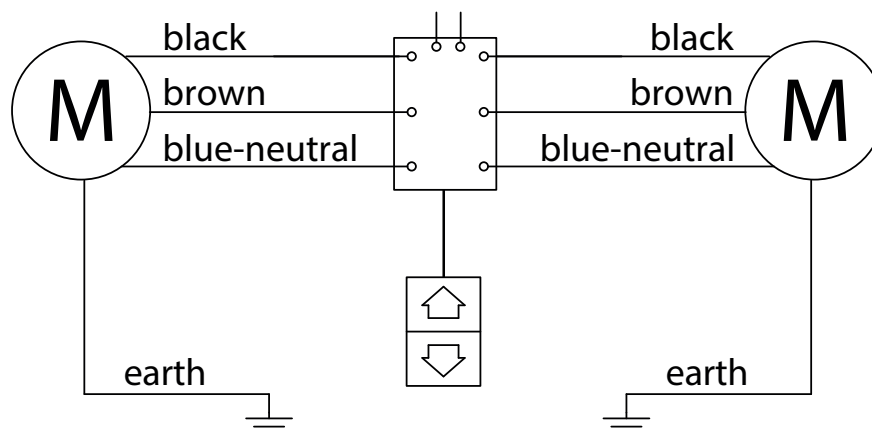


No.1=NEUTRAL
No.2=LOWERING PUSH-BUTTON
No.3=RAISING PUSH-BUTTON
No.4=EARTH



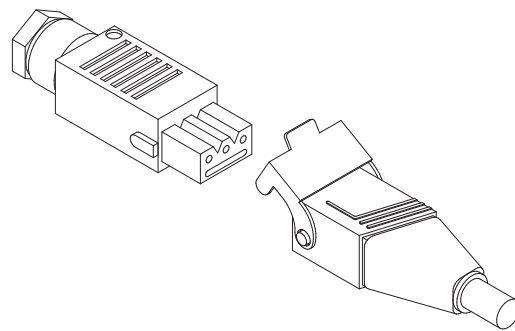
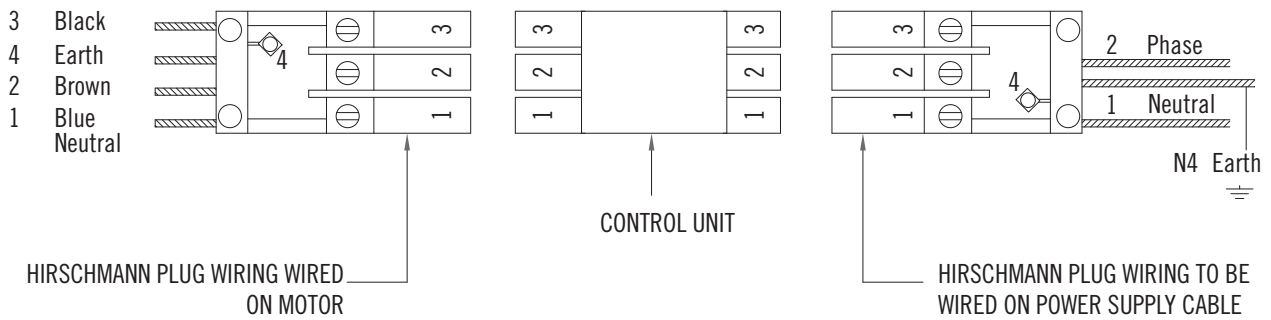
NEVER CONNECT TWO OR MORE MOTORS TO THE SAME SWITCH WITHOUT A CONTROL UNIT

POWER SUPPLY
CONTROL UNIT 220 V AC

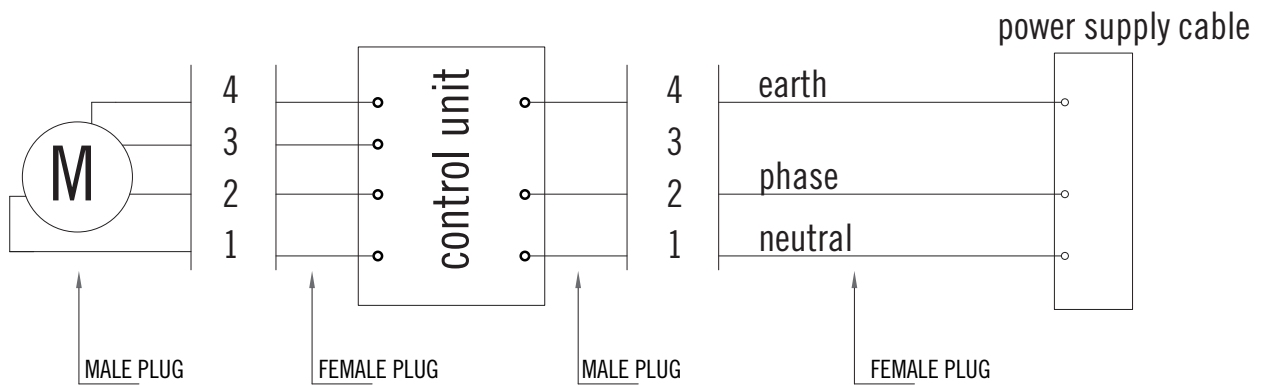


FOR CONNECTIONS OF 3 OR MORE MOTORS WITH GROUP CONTROLS, FLOOR CONTROLS, SIDE CONTROLS AND/OR SUN/WIND SENSOR, PLEASE CONTACT OUR ENGINEERING DEPT.

METALPAK Sb200
CONTROL UNIT **CONNECTION** OF MOTOR WITH RADIO FREQUENCY



EACH GEAR MOTOR MUST BE EQUIPPED WITH A CONTROL UNIT



THE RADIO CONTROLS ARE AVAILABLE WITH 1 OR 5 CHANNELS

FOR CONNECTIONS OF 3 OR MORE MOTORS WITH GROUP CONTROLS, FLOOR CONTROLS, SIDE CONTROLS AND/OR SUN/WIND SENSOR, PLEASE CONTACT OUR ENGINEERING DEPT.

SUNBREAK s.r.l.
via San Rocco, 245
31040 - Giavera del Montello
Treviso, Italy
tel. 0039 0422870543 fax 0039 0422870573
info@sunbreak.it
www.sunbreak.it