



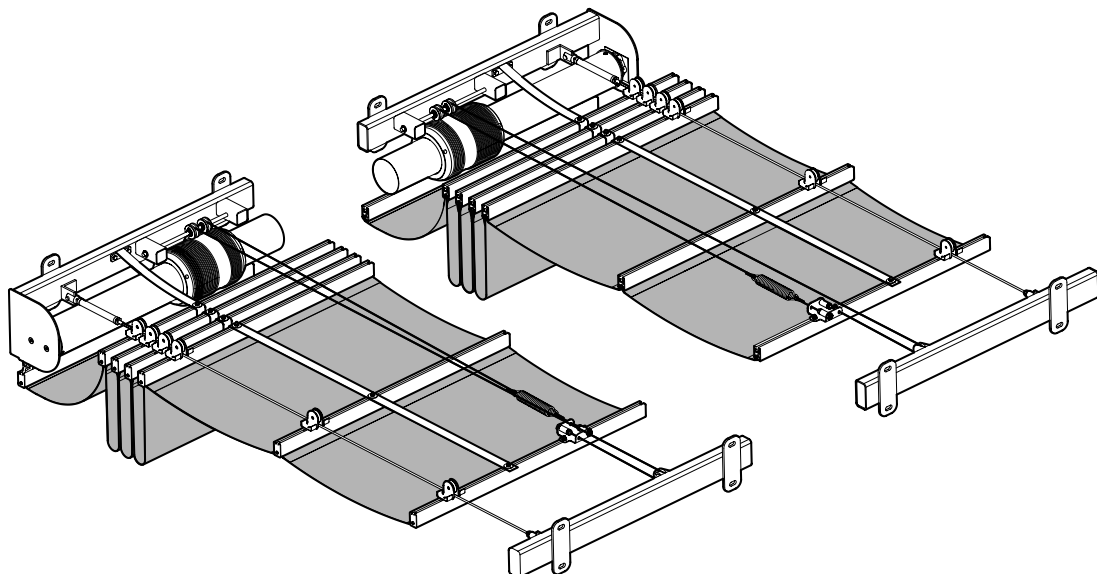
TESS 512 DATASHEET

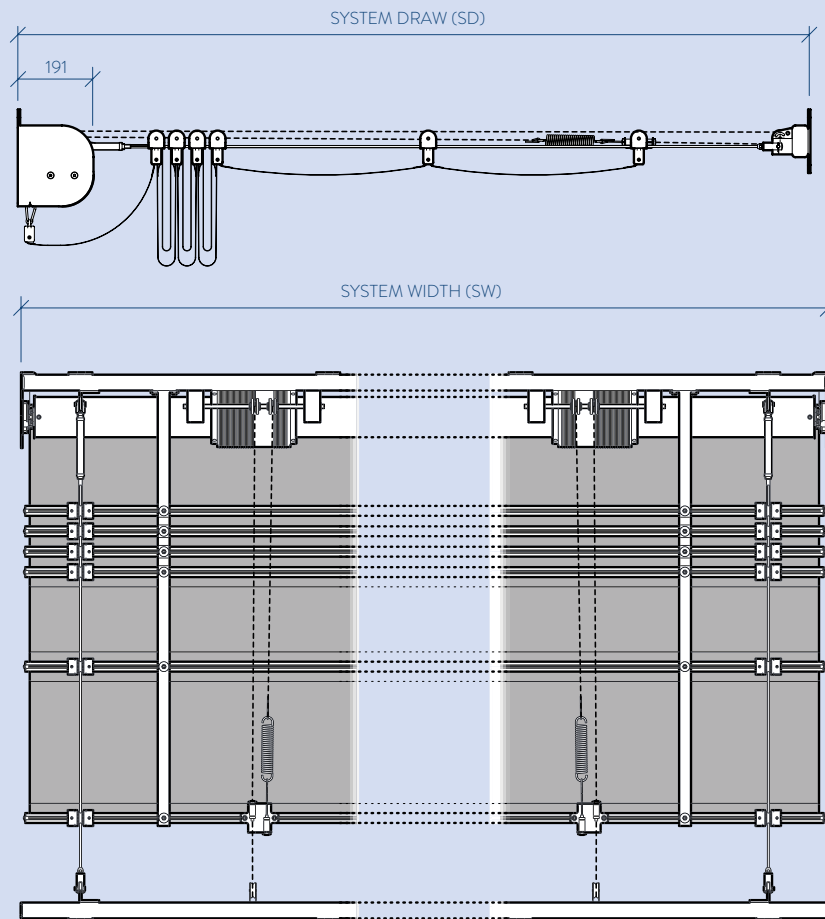
INTERNAL AND EXTERNAL PERGOLA SYSTEM

Horizontal terrace and atrium shading without the bulky supporting structure.

The TESS 512 can cover up to 100m² with a single mechanism, leaving just slim support cables behind when retracted. Fixed to each end of the opening, no side-fixings are required. A practical solution for giant spaces where style, reliability and durability are all essential. A choice of flat or festooned fabric panels and unlimited colour finishes make it suitable for any project.

- Fabric panel system
- No side fixings required
- Slim support cables
- Motorised drive
- Reliable and robust





KEYFACTS

Typical use	Glazed roofs, plazas, terraces
Shape	Rectangular
Running direction	Horizontal
Guides	ø6mm stainless steel wire
Width	2000 mm - 6000 mm
Draw	≤18000 mm
Fabric area	≤100 m ²
Brackets	Coated steel
Finish	RAL Powder coat
Installation options	Back

TECHNICALINFO

Fabric tension	Low
Weight exc. fabric	~55 kg + 27 kg/m width +6.4 kg/m draw
Fixing load	≤600 kg per cable (x3)
Operating temp.	0 to 55 °C
Motor	35 Nm, 17 rpm
Electrical	230 V, 50 Hz, 240 W, 1.1A
	120 V, 60 Hz, 230 W, 2.0A
Max run time	4 min
Fabric speed	8.5 m/min
Controls	Radio, Wired

